

TMR-1



TouchMix™ Rack Mounting Instructions

These instructions describe how to attach either the TouchMix-16 or the TouchMix-8 to the TMR-1.

Package Contents

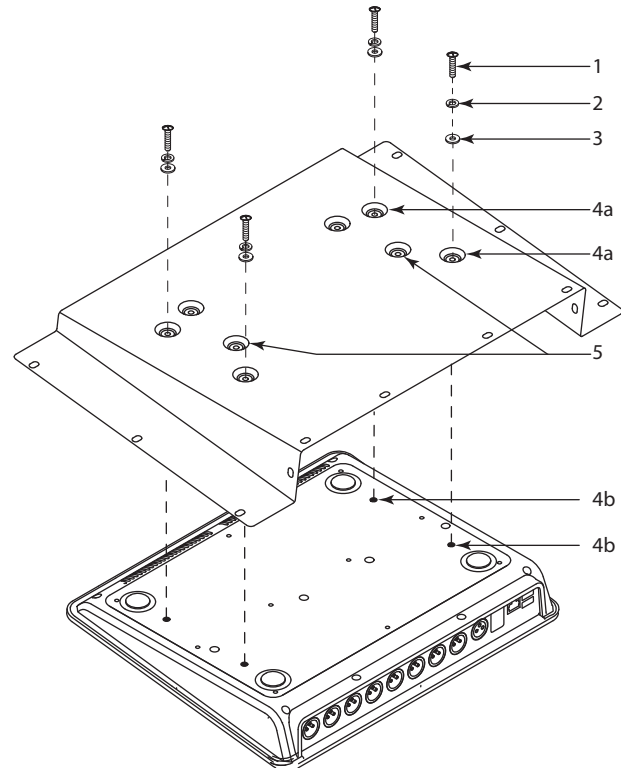
Name	Quantity
TouchMix Rack Mounting Kit TMR-1	1
M4 6L Phillips Head Screw	5
M4 Flat Washer	5
M4 Split Washer	5
TD-000474-00 Rack Mounting Instructions	1

1. Turn the mixer upside down and carefully place it on a suitable surface that will not damage the top side of the mixer.
2. Align the four holes (4a) in the tray with the four holes in the bottom of the mixer (4b).

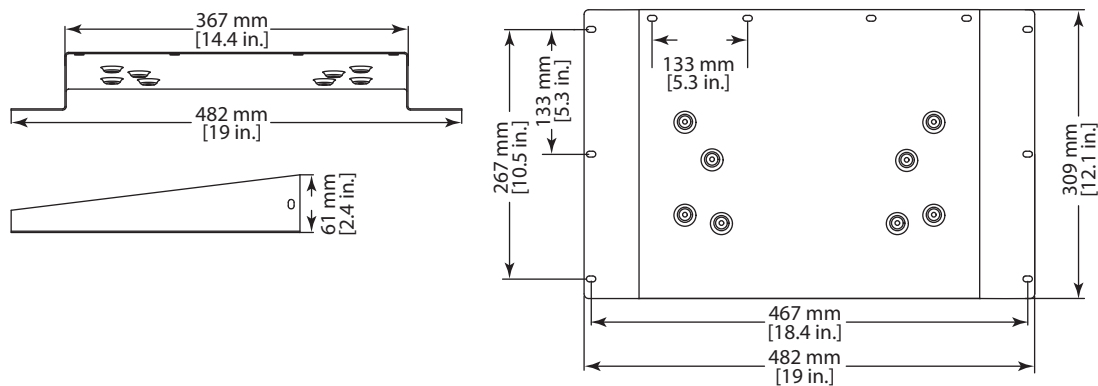


NOTE: Figure 1 shows the TouchMix-16 using the four outside holes (4a) on the tray. The TouchMix-8 uses the four inner holes (5). If you try to use the wrong holes, you would not be able to secure the mixer to the tray with all four screws. Make sure all four screws are used, and in the proper holes.

3. Place one M4 Split Washer on each screw.
4. Place one M4 Flat Washer on each screw.
5. Install one screw with washers into each hole and tighten. Do not overtighten the screws.
6. Turn the mixer and tray assembly over so that the mixer is on top.
7. You are now ready to install the TouchMix / TMR-1 assembly in your rack.



– Figure 1 –



– Figure 2 –

TD-000474-00-A



© 2014 QSC Audio Products, LLC. All rights reserved. QSC, the QSC logo, and TouchMix are registered trademarks of QSC Audio Products, LLC in the U.S. Patent and Trademark office and other countries. All other trademarks are the property of their respective owners.

<http://patents.qsc.com>