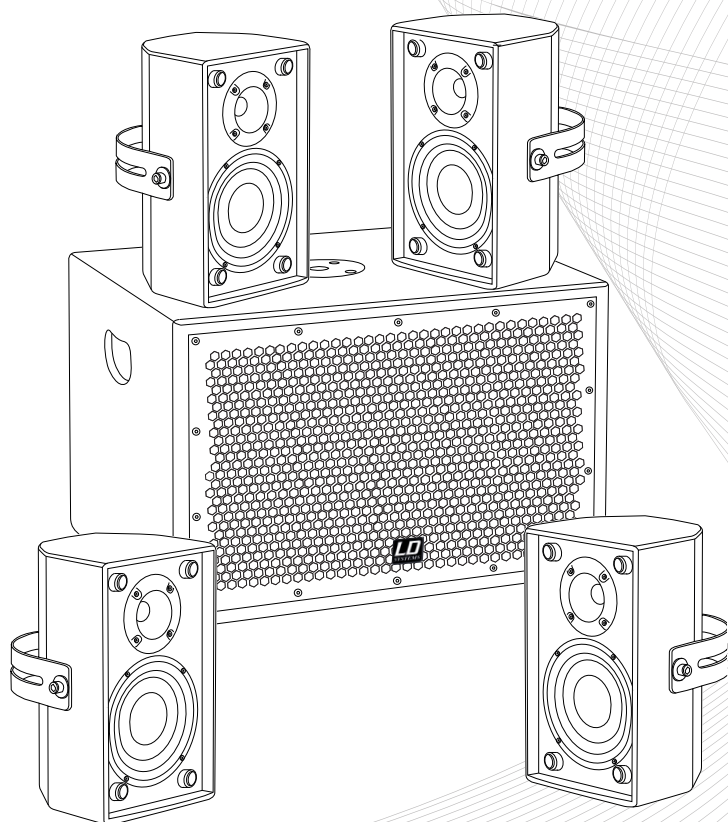


USER'S MANUAL  
BEDIENUNGSANLEITUNG  
MANUEL D'UTILISATION  
MANUAL DE USUARIO  
INSTRUKCJA OBSŁUGI



# LD SAT/SUB SERIES

**INSTALLATIONS SPEAKER PASSIVE:** SAT42 / SAT242 / SAT62 / SAT82 / SUB88

**INSTALLATIONS SPEAKER ACTIVE:** SAT62A / SUB10A / SUB88A



ENGLISH

DEUTSCH

FRANCAIS

ESPAÑOL

POLSKI

ITALIANO

## Thank you for choosing LD-Systems!

We have designed this product to give you reliable operation over many years. Therefore LD-Systems underwrites high quality products with its name and many years of experience as a producer.

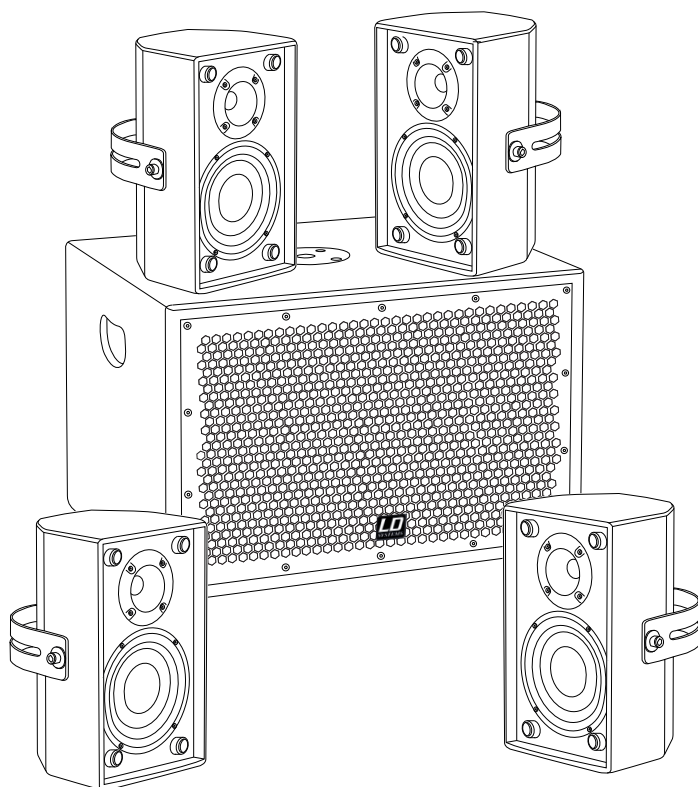
Please, take a few moments to read these instructions carefully, as we want you to enjoy your new LD-Systems products quickly and to the fullest.

Further information about LD-Systems check our website [WWW.LD-SYSTEMS.COM](http://WWW.LD-SYSTEMS.COM)

# LD **SAT/SUB** SERIES

**INSTALLATIONS SPEAKER** PASSIVE: SAT42 / SAT242 / SAT62 / SAT82 / SUB88

**INSTALLATIONS SPEAKER** ACTIVE: SAT62A / SUB10A / SUB88A



ENGLISH

DEUTSCH

FRANCAIS

ESPAÑOL

POLSKI

ITALIANO



## PREVENTIVE MEASURES:

1. Please read this information carefully.
2. Keep all information and instructions in a safe place.
3. Please follow the instructions.
4. Please observe all warnings.
5. Use the device only in the intended manner.
6. Use only stable and appropriate stands and/or mounts when the device is permanently installed. Make certain that wall brackets are firmly secured. Make certain that the unit is installed securely and cannot fall down.
8. Do not install the device near radiators, heat accumulators, ovens or other sources of heat. Make certain that the device is always installed so that is cooled sufficiently and cannot overheat.
9. Do not place open sources of ignition, e.g., burning candles, on the device.
10. Do not cover ventilation slots.
11. Do not operate the device in the immediate vicinity of water.
12. Please make certain that dripping or splashing water cannot get inside the device. Do not put objects filled with fluids, such as vases or drinking vessels, on top of the device.
13. Make certain that objects cannot fall into the device.
14. Use the device only with accessories with which the manufacturer intends the device to be used.
15. CAUTION: If your device is equipped with an IEC socket (PROTECTION CLASS I), it must be connected to a mains socket with a protective ground connection. Never disable the function of the protective ground connection of the included power cord. If the plug on the included cord does not fit your mains outlet, contact your electrician.
16. Make certain that the power cord is not stepped on. Protect the power cord against pinching, especially at the device plug and the power plug.
17. In order to prevent damage or accidents, for example, due to tripping hazards, check all connections once you have connected the device.
18. When connecting the device, make certain that the power plug remains readily accessible.
19. In order to disconnect the device completely from the mains voltage, the power plug must be unplugged.
20. If your device is equipped with a Volex power connector, the matching Volex device plug must be unlocked in order to disconnect it. This also means that a tug on the power cord can pull the device out of place, thus causing personal injuries and/or property damage. Thus please make certain to route your cables carefully.
21. If there is a risk of lightning strike or during extended periods of disuse, unplug the power plug.
22. During transport, make certain that the equipment being transported cannot fall down and possibly cause personal injuries and/or property damage.
23. If your device no longer works properly, if it has been exposed to liquids or an object has fallen inside it or if it has been damaged in some other manner, turn the device off immediately and unplug the power plug. This device should be repaired only by authorized experts.
24. Use only a dry cloth to clean the device.
25. Comply with all of the disposal laws that are applicable in your country. During disposal, please separate plastic and paper/cardboard.
26. Plastic bags must be kept out of the reach of children.

ENGLISH

DEUTSCH

FRANCAIS

ESPAÑOL

POLSKI

ITALIANO

**CAUTION:**


To reduce the risk of electric shock, do not remove cover (or back). No user serviceable parts inside. Refer servicing to qualified personnel.



The lightning flash with arrowhead symbol within an equilateral triangle is intended to alert the user to the presence of uninsulated “dangerous voltage” within the product’s enclosure that may be of sufficient magnitude to constitute a risk to persons.



The exclamation mark within an equilateral triangle is intended to alert the user to the presence of important operating and maintenance (servicing) instructions in the literature accompanying the appliance.

**CAUTION! HIGH VOLUME!**

You will operate this transmission system for professional use. Therefore the commercial use of this equipment is liable to the rules and regulations of the Accident Prevention & Insurance Association of your industry sector. Adam Hall as a manufacturer is bound to inform you formally about the existence of eventual sanitary risks.

Hearing damage, prolonged exposure to excessive SPL, the loudspeaker is easily capable of generating sound pressure levels (SPL) sufficient to cause permanent hearing damage to performers, production crew and audience members. Caution should be taken to avoid prolonged exposure SPL in excess of 90 dB.



## OPERATING INFORMATION:

### PASSIVE SPEAKER

#### LD SAT42(W) / SAT242(W)

Up to 4 SAT42(W) (up to 2 SAT242(W) ) loudspeakers per power amp output can be connected in parallel on 4 ohms. At the rear connection terminal, the loudspeaker signal is simply looped through to the next SAT42(W) (SAT242(W) ) speaker.

#### LD SAT62(W)

Up to 4 SAT62(W) loudspeakers per power amp output can be connected in parallel 4 ohms. At the rear connection terminal, the loudspeaker signal is simply looped through to the next SAT62(W) speaker.

#### LD SAT82(W)

2 pieces of SAT82(W) loudspeakers per power amp output can be connected in parallel 4 ohms. At the rear connection terminal, the loudspeaker signal is simply looped through to the next SAT82.

#### LD SUB88 in connection with the LD SAT 42/242/62(W)

Connect the loudspeaker cables coming from the power amplifier to the subwoofer connection terminals labelled Input A and B. Then connect the satellites SAT42/242(W) or SAT62(W) to the connection terminals labelled Output A and B. Up to 4 SAT42(W) / SAT62(W) or up to 2 SAT242(W) satellites can be connected in this combination on 4 ohms. We recommend loudspeaker cables such as the Adam Hall KLS 215, with a cross-section of at least 2 x 1.5 mm<sup>2</sup>.

### ACTIVE SPEAKER

#### LD SAT62A

##### MOUNTING / INSTALLATION

It is recommended to switch the system to ON as the last one and to OFF as the first one to prevent start-up noise caused by a connected device like a mixer etc.. Additional connected LD SAT62A should be switched to ON in order from the first to the last one and should be switched to OFF in reversed order. If the AUTO mode is used the source should be turned to off only after 10 minutes without any signal to make sure, that the connected LD SAT62A are in Standby mode.

##### CONNECTING AND OPERATING

To connect the LD SAT62A the device should be turned to OFF. There is a connection using 6.3 mm jacks (balanced triple pole / unbalanced two pole) possible as well as a balanced connection using triple pole XLR plugs. After connecting all necessary cables and the MAIN LEVEL adjust is turned counterclockwise to left end stop the source device can be turned to on. Then the LD SAT62A can be turned to ON too (see above). Please turn the MAIN LEVEL adjust clockwise until designated level is reached. Please do so for additional LD SAT62A if used. The Connection and operating elements of LD SAT62A are shown on the **back panel active speakers** page.

##### SIGNAL LOOPING

The LD SAT62A system is designed to loop the signal to additional devices via triple pole XLR cable. It is not necessary to connect each device using an own connection to the source. Please make sure that XLR cables of a good quality are used and that the cables are installed in safe way.

## SPECIFICATIONS:

	<b>LD SAT42(W)</b>	<b>LD SAT242(W)</b>	<b>LD SAT62(W)</b>	<b>LD SAT82(W)</b>	<b>LD SAT62A</b>
Product	Installation speaker	Installation speaker	Installation speaker	Installation speaker	Installation speaker
Type	passive	passive	passive	passive	active/bass reflex
Loudspeaker	4" woofer & 1" silkdome tweeter	2 x 4" woofer & 1" silkdome tweeter	6.5" woofer & 1" silkdome tweeter	8" woofer & 1" horn tweeter	6.5" woofer & 1" silkdome tweeter
Amplifier	-	-	-	-	Class A/B
Dispersion	60° x 60°	60° x 60°	60° x 60°	60° x 60°	60° x 60°
Load capacity (RMS / max.)	60/100W	100/180W	80/130W	120/200W	50W
Frequency range	75Hz-20.000Hz	75Hz-20.000Hz	55Hz-20.000Hz	50Hz-20.000Hz	55Hz-20.000Hz
SPL	85 dB	88 dB	89 dB	93 dB	89 dB
Max. SPL	103 dB	108 dB	108 dB	114 dB	108 dB
Protection circuit	-	-	-	-	excess current
Line in	-	-	-	-	sym. XLR / 6.3 mm Jack
Line out	-	-	-	-	sym. XLR
Power Input	-	-	-	-	220-240 V AC
Impedance	16ohms	8ohms	16ohms	8ohms	-
Terminals	Clamp-type connection	Clamp-type connection	Clamp-type connection	Clamp-type connection	-
Cabinet material	12 mm MDF	12 mm MDF	12 mm MDF	15 mm MDF	12 mm MDF
Cabinet surface	textured paint	textured paint	textured paint	textured paint	textured paint
Dimension (WxHxD)	140 x 230 x 125 mm	140 x 378 x 135 mm	200 x 320 x 200 mm	247 x 410 x 243 mm	200 x 320 x 205 mm
Weight	2.7 kg	4.1 kg	4.1 kg	8.5 kg	6 kg
Accessories	4 M6 rigging/mounting points, mounting brackets	4 M6 rigging/mounting points, mounting brackets	4 M6 rigging/mounting points, mounting brackets	4 M6 rigging/mounting points, mounting brackets	4 M6 rigging/mounting points, mounting brackets

ENGLISH

DEUTSCH

FRANCAIS

ESPAÑOL

POLSKI

ITALIANO

## BACK PANEL ACTIVE SPEAKER:

### LD SAT62A

#### 1 MAIN LEVEL

Adjusts the speakers volume

#### 2 POWER MODE

Switches to contineous on (ON) or to standby mode (AUTO). In position AUTO the amplifier is turned on ON by receiving a signal. After several minutes without any signal the amplifier turns again to standby mode.

#### 3 POWER LED

Lights up RED if device is in STANDBY mode. Lights up GREEN if device is turned ON.

#### 4 INPUT XLR / 6.3 mm jack

Balanced Line Input for XLR connectors and 6.3 mm jacks.

#### 5 LINE DIRECT OUTPUT

Direct, balanced Line Ouput for XLR connectors. Should be used to loop the signal to another LD SAT62A.

#### 6 POWER SWITCH

ON / OFF switch.

#### 7 POWER CONNECTION SEAT

Power connection seat 240 V (IEC power connector) and fuse seat. Replacement of fuse only if mains power is disconnected and only by fuse of same type and rating (T1A 250V AC). If fuse blows repeatedly please contact authorized personel for servicing.

#### 8 OVERLOAD LED

Lights up when speaker is overloaded. Reduce volume immediately.



# BACK PANEL ACTIVE SPEAKER:

ENGLISH

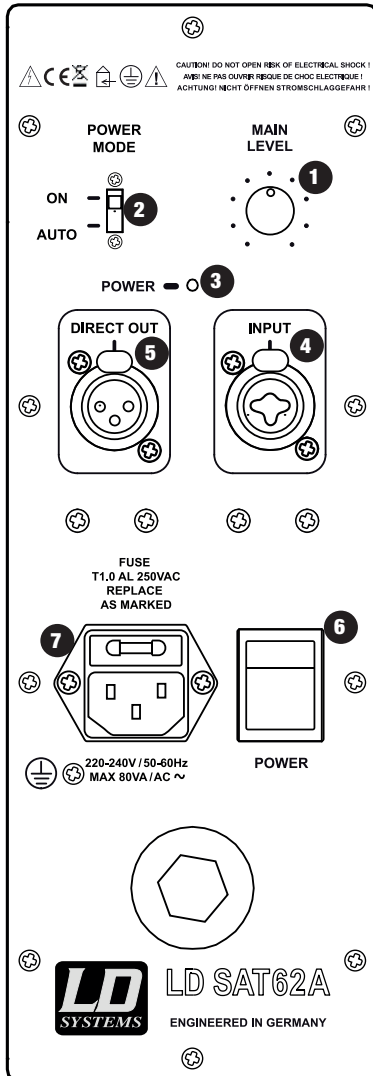
DEUTSCH

FRANCAIS

ESPAÑOL

POLSKI

ITALIANO





## OPERATING INFORMATION:

### LD SUB88A

#### MOUNTING / INSTALLATION

The powered system LD SUB88A can be either installed on ground or on a solid base with adequate load capacity. It is strictly recommended to install the LD SUB88A not in a height above 150 cm (risk of drop down). The LD SUB88A can be installed either in horizontal position or upright.

Please check for enough distance (> 20 cm) between integrated amplifier and walls, racks etc. to prevent overheating for sure. Especially if installed in a shelf or inside a bar etc.. It is important to take care for an adequate ventilation of the integrated amplifier. Please take care for an accurate wiring for the power wiring as for the input wiring. Please use only undamaged cables of an adequate size as well as only completely unrolled cable reels. Please check the wiring for any kind of trip hazard etc. to prevent any kind of accident or damage. Please do not install the items directly beside an edge like the border of the base.

#### CONNECTING AND OPERATING

To connect the LD SUB88A the device should be turned to OFF. There is a connection using 6.3 mm jacks (balanced triple pole / unbalanced two pole) possible as well as a balanced connection using triple pole XLR plugs. After connecting all necessary cables and the MAIN LEVEL adjust is turned counterclockwise the source device can be turned on. Then the LD SUB88A can be turned to ON too. Please turn the MAIN LEVEL adjust clockwise until designated level is reached. Using the SUB CROSSOVER adjust the frequency range can be limited to match the LD SUB88 A with the used satellites. Also the PHASE switch can be used in combination with satellites if necessary. Please use switch position with the best sound. The Connection and operating elements of LD SUB88A are shown on the **back panel active speakers** page. It is recommended to switch the system to ON as the last one and to OFF as the first one to prevent start-up noise caused by a connected device like a mixer etc..

### LD SUB10A

#### MOUNTING / INSTALLATION

The powered system LD SUB10A can be either installed on ground or on a solid base with adequate load capacity. It is strictly recommended to install the LD SUB10A not in a height above 150 cm (risk of drop down).

Please check for enough distance (> 20 cm) between integrated amplifier and walls, racks etc. to prevent overheating for sure. Especially if installed in a shelf or inside a bar etc.. It is important to take care for an adequate ventilation of the integrated amplifier. Please take care for an accurate wiring for the power wiring as for the input wiring. Please use only undamaged cables of an adequate size as well as only completely unrolled cable reels. Please check the wiring for any kind of trip hazard etc. to prevent any kind of accident or damage. Please do not install the items directly beside an edge like the border of the base.

#### CONNECTING

To connect the LD SUB10A the device should be turned to OFF. It can be used as an additional bass with full-range speakers (Stinger 8" oder Stinger 10") or be implemented for installation applications. This subwoofer features an integrated 3-channel power amplifier (3x 120 W RMS) allowing the connection of additional passive full-range speakers, or of installation speakers such as the LD SAT series speaker.

## SPECIFICATIONS:

	<b>LD SUB88</b>	<b>LD SUB88A</b>	<b>LD SUB10A</b>
Product	Installation speaker	Installation speaker	Installation speaker
Type	passive	active, bandpass	active, bass reflex
Loudspeaker	2x8" woofer	2x8" woofer	10" woofer
Amplifier	-	Class A/B	Class A/B
Load capacity (RMS / max.)	2 x 100/180W	150W	3 x 120W
Frequency range	40Hz to 120Hz	40Hz-120Hz	40Hz-120Hz
SPL	92 dB	92 dB	97 dB
Max. SPL	115dB	115 dB	118 dB
Protection circuit	-	excess current	Short circuit, Over current, Clip Limiter
Line in	-	sym. XLR / 6.3 mm Jack	-sym. XLR / 6.3 mm Jack
Line out	-	-	binding post-
Power Input	-	220-240 V AC	220-240 VAC
Impedance	2 x 8ohms	-	-
Terminals	Clamp-type connection	-	-
Cabinet material	15 mm MDF	15 mm MDF	15 mm MDF
Cabinet surface	textured paint	textured paint	textured paint
Dimension (WxHxD)	600 x 250 x 350 mm	600 x 250 x 350 mm	505 x 345 x 425 mm
Weight	11 kg	4.1 kg	21 kg
Accessories	-	-	Ergonomic milled handles, Threaded flange (M20)

ENGLISH

DEUTSCH

FRANCAIS

ESPAÑOL

POLSKI

ITALIANO

## BACK PANEL ACTIVE SPEAKER:

### LD SUB88A

#### 1 POWER, SIGNAL, LIMIT LED POWER LED

Lights up green when device is turned to ON.

#### SIGNAL LED

Lights up green, when the unit receives an audio signal.

#### LIMIT LED

Lights up when loudspeaker is operated at its limit. Short-term blinking of the LED is not critical. If the limiter LED lights up longer than a brief moment or permanently (=over-driving the system), reduce the volume of the connected signal source or the volume of the active loudspeaker cabinet. Non-compliance will lead to unpleasant and distorted sound and may cause malfunction of the speaker system.

#### 2 SUB CROSSOVER

Adjustable lowpass 80 - 200 Hz. Set the frequency to the lower cut off frequency of the connected satellites.

#### 3 SUB LEVEL

Adjusts the volume of the active subwoofer.

#### 4 INPUT XLR / 6.3 mm jack

Balanced Line Input for XLR connectors and 6.3 mm jacks.

#### 5 SUB PHASE

Inverts the phase of the subwoofer (0°/180°) if necessary.

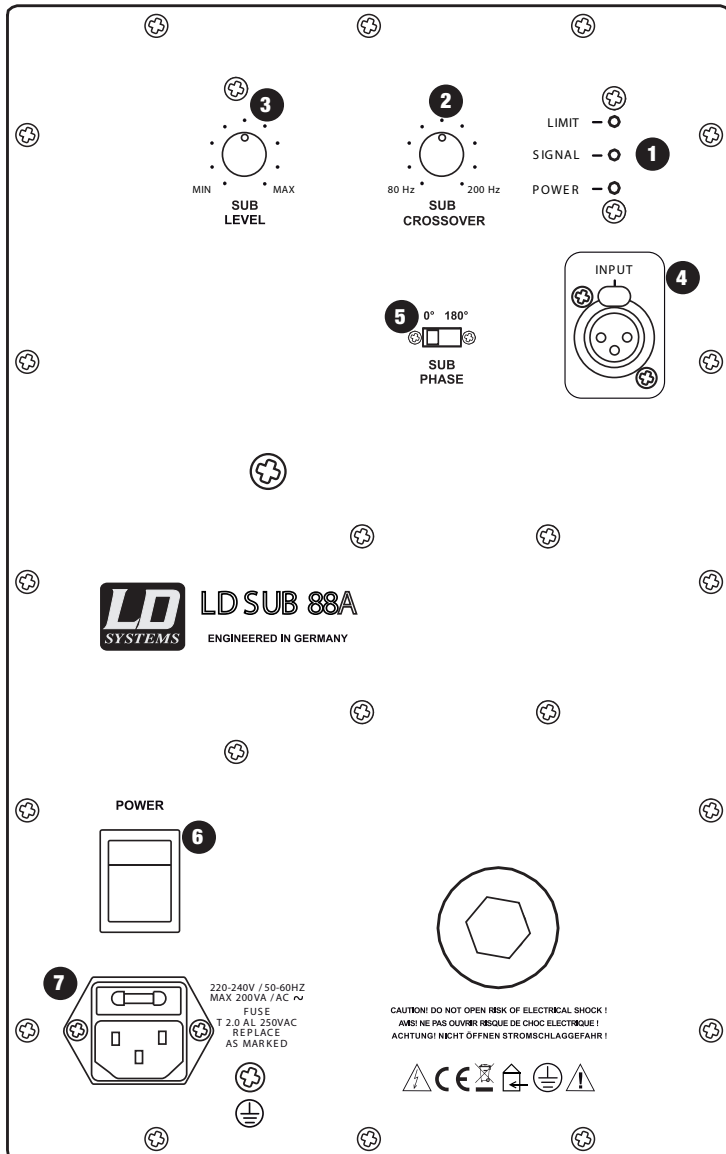
#### 6 POWER SWITCH

ON / OFF switch. Please switch connected devices to ON before switching the LD SUB88A to ON and to OFF after switching the LD SUB88A to OFF.

#### 7 POWER CONNECTION SEAT

Power connection seat 240 V (IEC power connector) and fuse seat. Replacement of fuse only if mains power is disconnected and only by fuse of same type and rating (T1A 250V AC). If fuse blows repeatedly please contact authorized personnel for servicing.

# BACK PANEL ACTIVE SPEAKER:



ENGLISH

DEUTSCH

FRANCAIS

ESPAÑOL

POLSKI

ITALIANO

## BACK PANEL ACTIVE SPEAKER:

### LD SUB10A

#### 1 MAIN LEVEL

Preset of the main level of the system - subwoofer will be adjusted too, corresponding the preset of the SUB LEVEL.

#### 2 SUB PHASE

Phase inversion switch to invert the Phase of the Subwoofer (0° / 180°) if necessary due to an difficult installation.

#### 3 SUB LEVEL

Preset subwoofer level proportionally to the satellite level. We recommend at the standard setting 12:00 o'clock.

#### 4 LINE DIRECT OUTPUT (LEFT / RIGHT)

Direct symmetrical Line Input for XLR connectors.

#### 5 LINE INPUT

Symmetrical Line Input for XLR connectors and 6.3 mm jacks.

#### 6 SPEAKER OUTPUT (LEFT / RIGHT)

#### 7 POWER CONNECTION SEAT

Power connection seat 240 V (IEC power connector) and fuse seat. Replacement of fuse only if power connection is disconnected. If fuse blows repeatedly please contact authorized personel for servicing.

#### 8 POWER SWITCH

ON / OFF switch. Please switch connected devices to ON first and to OFF after switching the system.

# BACK PANEL ACTIVE SPEAKER:

ENGLISH

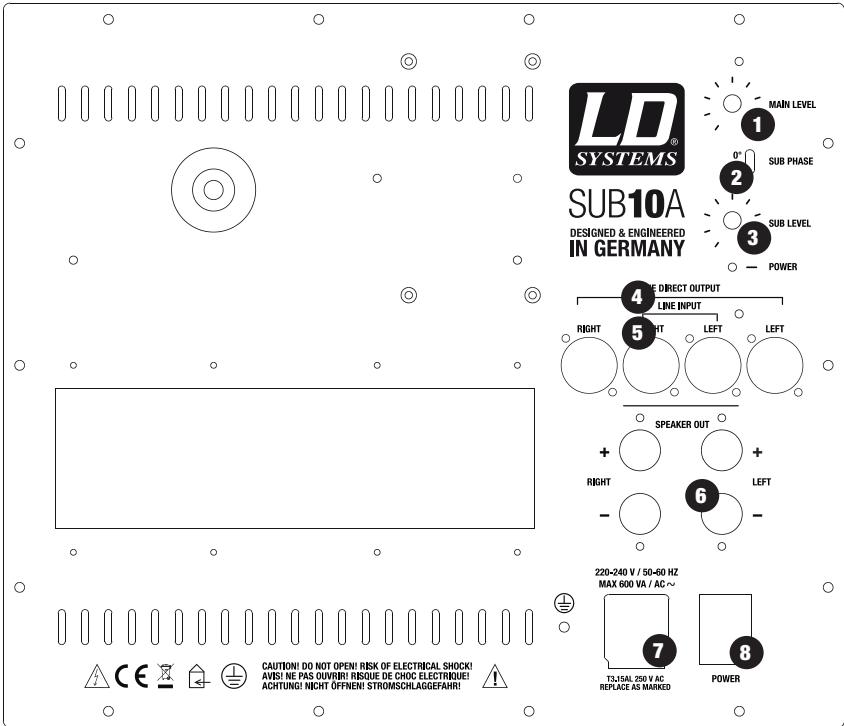
DEUTSCH

FRANCAIS

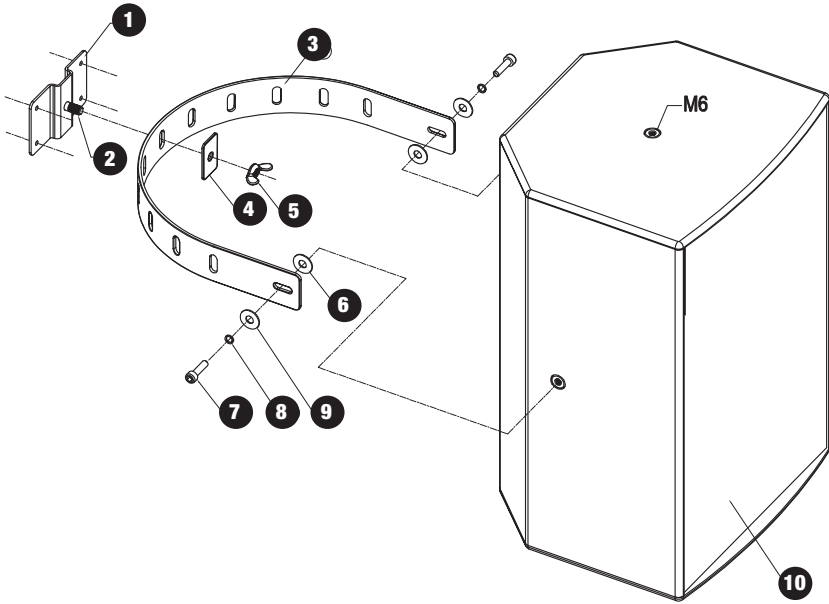
ESPAÑOL

POLSKI

ITALIANO



# EXPLODED DRAWING BRACKET:



- 1** Wall mount panel
- 2** M6 bolt
- 3** U-Bracket
- 4** Washer
- 5** Wing nut M8
- 6** Rubber washer
- 7** Allen screw M6 x 16
- 8** Spring washer
- 9** Metal washer
- 10** LD SAT Cabinet

ENGLISH

DEUTSCH

FRANCAIS

ESPAÑOL

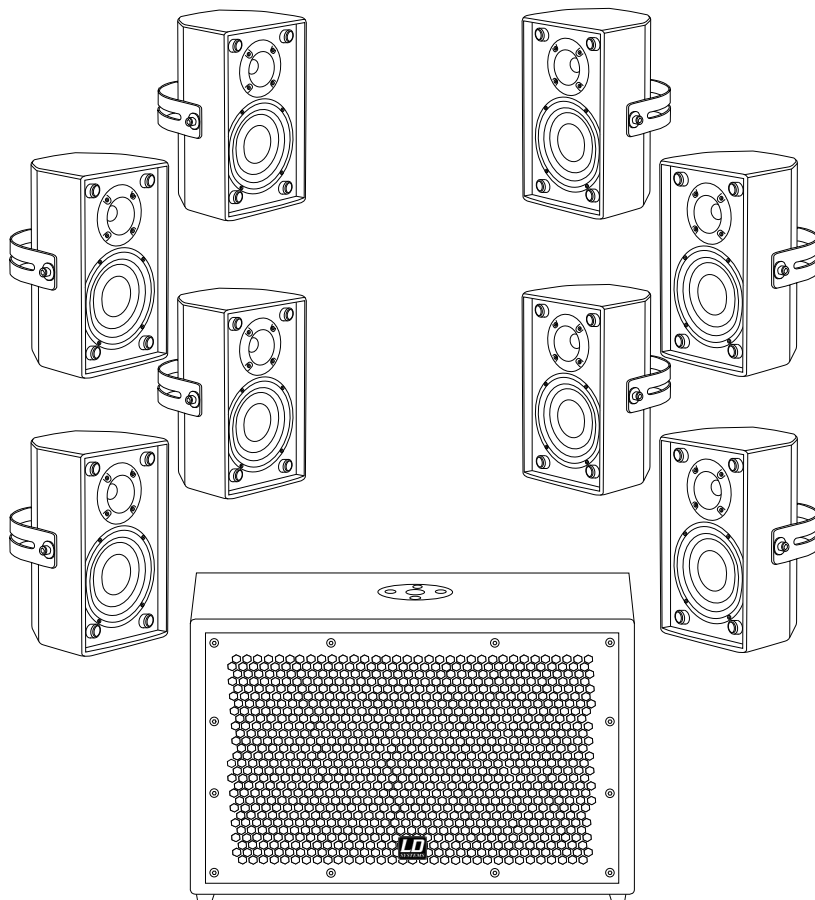
POLSKI

ITALIANO



# INSTALLATION COMBINATIONS:

LDSUB10A + 2 x 4 LDSAT42(W)



ENGLISH

DEUTSCH

FRANCAIS

ESPAÑOL

POLSKI

ITALIANO

# INSTALLATION COMBINATIONS:

**LDSUB10A + 2 x2 LDSAT62(W)**

ENGLISH

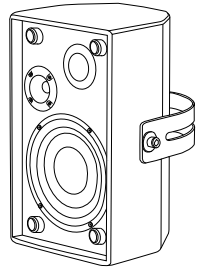
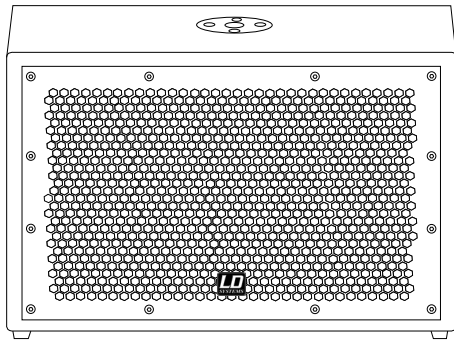
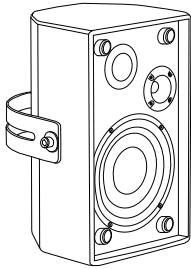
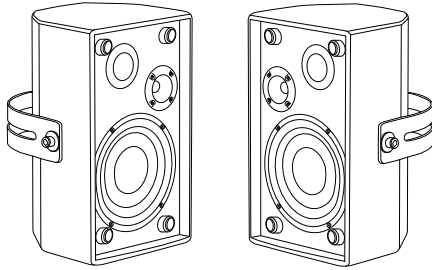
DEUTSCH

FRANCAIS

ESPAÑOL

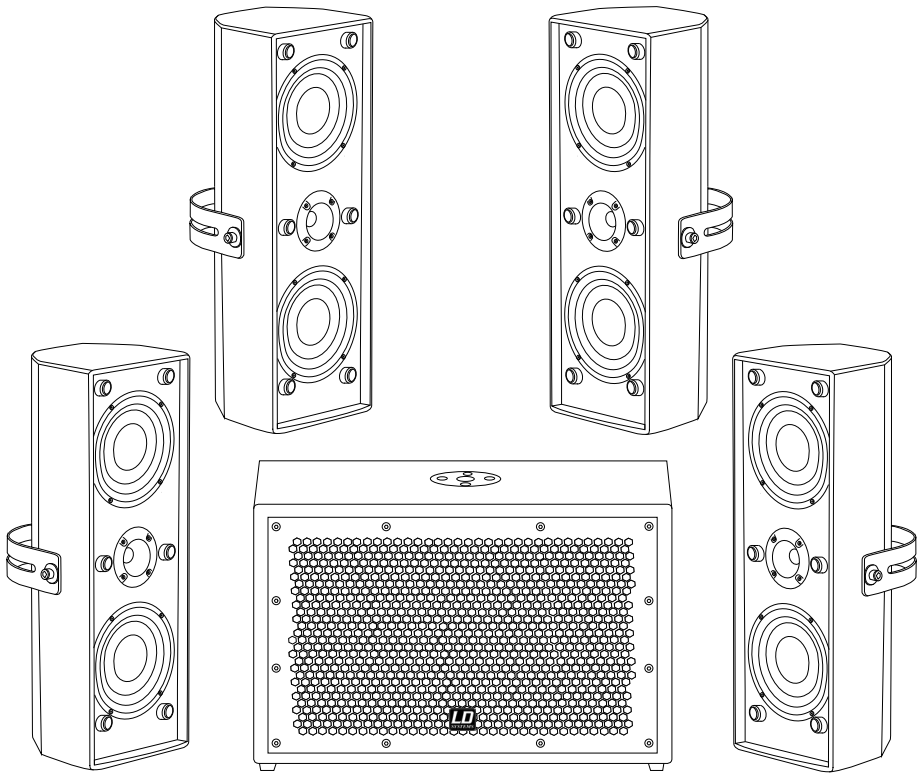
POLSKI

ITALIANO



# INSTALLATION COMBINATIONS:

LDSUB10A + 2 x2 LDSAT242(W)



ENGLISH

DEUTSCH

FRANCAIS

ESPAÑOL

POLSKI

ITALIANO



## MANUFACTURER'S DECLARATIONS:

### LIMITED WARRANTY

This Limited Warranty applies to the Adam Hall, LD Systems, LD Premium, Defender, Palmer, Cameo and Eminence branded products.

The statutory warranty rights towards the seller are not affected by this guarantee. In fact, it justifies, additional independent warranty claims towards Adam Hall.

Adam Hall warrants that the Adam Hall product you have purchased from Adam Hall or from an Adam Hall authorized reseller is free from defects in materials or workmanship under normal use for a period of 2 or 5 years from the date of purchase.

The Limited Warranty Period starts on the date of purchase. In order to receive warranty services you are required to provide proof of the purchase date. Your dated sales or delivery receipt, showing the date of purchase, is your proof of the purchase date. Should products of the brands named above be in need of repair within the limited warranty period, you are entitled to warranty services according to the terms and conditions stated in this document.

This Limited Warranty extends only to the original purchaser of this Adam Hall branded product and is not transferable to anyone who obtains ownership of the Adam Hall branded product from the original purchaser. During the Limited Warranty Period, Adam Hall will repair or replace the defective component parts or the product. All component parts or hardware products removed under this Limited Warranty become the property of Adam Hall.

In the unlikely event that your Adam Hall product has a recurring failure, Adam Hall, at its discretion, may elect to provide you with a replacement unit of Adam Hall's choice that is at least equivalent to your Adam Hall branded product in hardware performance.

Adam Hall does not warrant that the operation of this product will be uninterrupted or error-free. Adam Hall is not responsible for damage that occurs as a result of your failure to follow the instructions included with the Adam Hall branded product.

This Limited Warranty does not apply,

- to wear parts (e.g. accumulator)
- to any product from which the serial number has been removed or that has been damaged or rendered defective as the result of an accident
- in case of, misuse, abuse, or other external causes
- by operation outside the usage parameters stated in the user's documentation shipped with the product by use of spare parts not manufactured or sold by Adam Hall
- by modification or service by anyone other than Adam Hall

These terms and conditions constitute the complete and exclusive warranty agreement between you and Adam Hall regarding the Adam Hall branded product you have purchased.

## LIMITATION OF LIABILITY

If your Adam Hall branded hardware product fails to work as warranted above, your sole and exclusive remedy shall be repair or replacement. Adam Halls' maximum liability under this limited warranty is expressly limited to the lesser of the price you have paid for the product or the cost of repair or replacement of any hardware components that malfunction in conditions of normal use.

Adam Hall is not liable for any damages caused by the product or the failure of the product, including any lost profits or savings or special, incidental, or consequential damages. Adam Hall is not liable for any claim made by a third party or made by you for a third party.

This limitation of liability applies whether damages are sought, or claims are made, under this Limited Warranty or as a tort claim (including negligence and strict product liability), a contract claim, or any other claim. This limitation of liability cannot be waived or amended by any person. This limitation of liability will be effective even if you have advised Adam Hall of an authorized representative of Adam Hall of the possibility of any such damages. This limitation of liability however, will not apply to claims for personal injury.

This Limited Warranty gives you specific legal rights. You may also have other rights that may vary from state to state or from country to country. You are advised to consult applicable state or country laws for a full determination of your rights.

## REQUESTING WARRANTY-SERVICE

To request warranty service for the product, contact Adam Hall or the Adam Hall authorized reseller from which you purchased the product.

## EC DECLARATION OF CONFORMITY

These devices meet the essential requirements and further relevant specifications of Directives 2004/108/EC (EMC) and 2006/95/EC (LVD). For more information, see [www.adamhall.com](http://www.adamhall.com).

## CORRECT DISPOSAL OF THIS PRODUCT (ELECTRICAL WASTE)

(Applicable in the European Union and other European countries with separate collection systems)



This marking shown on the product or its literature, indicates that it should not be disposed with other household wastes at the end of its working life. To prevent possible harm to the environment or human health from uncontrolled waste disposal, please separate this from other types of wastes and recycle it responsibly to promote the sustainable reuse of material resources.

Household users should contact either the retailer where they purchased this product, or their local government office, for details on where and how they can recycle this item in an environmentally friendly manner.

Business users should contact their supplier and check the terms and conditions of the purchase contract. This product should not be mixed with other commercial wastes for disposal.

## MANUFACTURER'S DECLARATIONS:

ENGLISH

### WEEE-DECLARATION

Your LD-Systems product was developed and manufactured with high quality materials and components which can be recycled and/or reused. This symbol indicates that electrical and electronic equipment must be disposed of separately from normal waste at the end of its operational lifetime.

Please dispose of this product by bringing it to your local collection point or recycling centre for such equipment. This will help to protect the environment in which we all live.

### BATTERIES AND ACCUMULATORS

The supplied batteries or rechargeable batteries can be recycled. Please dispose of them as special waste or return them to your specialist dealer. In order to protect the environment, only dispose exhausted batteries.

DEUTSCH

FRANCAIS

ESPAÑOL

POLSKI

ITALIANO

Adam Hall GmbH, all rights reserved. The technical data and the functional product characteristics can be subject to modifications. The photocopying, the translation, and all other forms of copying of fragments or of the integrality of this user's manual is prohibited.

ENGLISH

DEUTSCH

FRANCAIS

ESPAÑOL

POLSKI

ITALIANO



ENGLISH

DEUTSCH

FRANCAIS

ESPAÑOL

POLSKI

ITALIANO

## Mit einem Produkt von LD Systems haben Sie die richtige Wahl getroffen!

Dieses Gerät wurde unter hohen Qualitätsanforderungen entwickelt und gefertigt, um viele Jahre einen reibungslosen Betrieb zu gewährleisten. Dafür steht LD Systems mit seinem Namen und der langjährigen Erfahrung als Hersteller hochwertiger Audioprodukte.

Bitte lesen Sie diese Bedienungsanleitung sorgfältig, damit Sie Ihr neues Produkt von LD Systems schnell optimal einsetzen können.

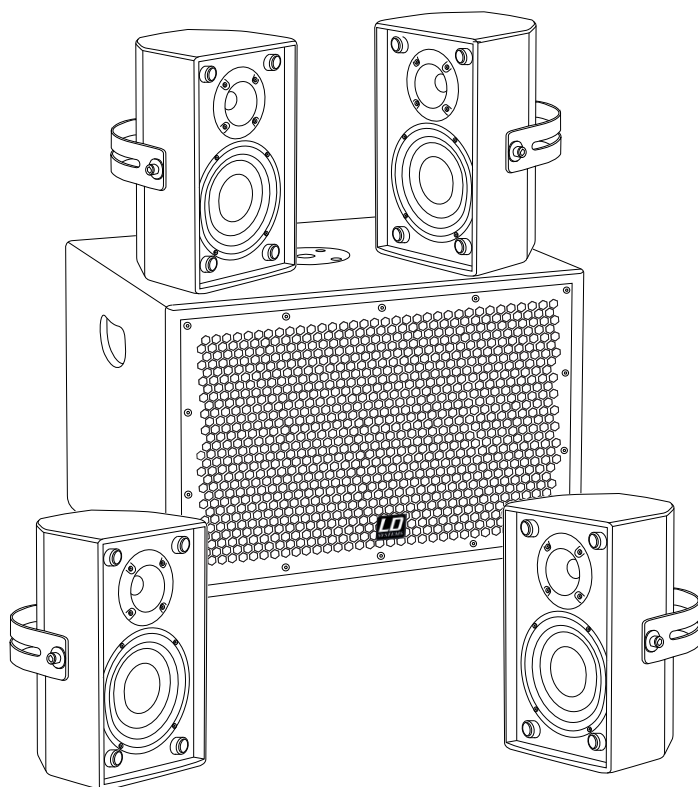
Weitere Informationen zu Produkten von LD Systems erhalten Sie auf unserer Internet-Seite [WWW.LD-SYSTEMS.COM](http://WWW.LD-SYSTEMS.COM).



# LD **SAT/SUB** SERIES

**INSTALLATIONS SPEAKER** PASSIVE: SAT42 / SAT242 / SAT62 / SAT82 / SUB88

**INSTALLATIONS SPEAKER** ACTIVE: SAT62A / SUB10A / SUB88A



## SICHERHEITSHINWEISE:

1. Lesen Sie diese Anleitung bitte sorgfältig durch.
2. Bewahren Sie alle Informationen und Anleitungen an einem sicheren Ort auf.
3. Befolgen Sie die Anweisungen.
4. Beachten Sie alle Warnhinweise.
5. Verwenden Sie das Gerät nur in der vorgesehenen Art und Weise.
6. Verwenden Sie ausschließlich stabile und passende Stative bzw. Befestigungen, wenn das Gerät fest installiert wird. Stellen Sie sicher, dass Wandhalterungen ordnungsgemäß installiert und gesichert sind. Stellen Sie sicher, dass das Gerät sicher installiert ist und nicht herunterfallen kann.
8. Betreiben Sie und installieren Sie das Gerät nicht in der Nähe von Heizkörpern, Wärmespeichern, Öfen oder sonstigen Hitzequellen. Sorgen Sie dafür, dass das Gerät immer so installiert ist, dass es ausreichend gekühlt wird und nicht überhitzt.
9. Platzieren Sie keine Zündquellen wie z. B. brennende Kerzen auf dem Gerät.
10. Die Lüftungsschlitze dürfen nicht blockiert werden 11. Betreiben Sie das Gerät nicht in unmittelbarer Nähe von Wasser.
12. Sorgen Sie dafür, dass kein Tropf- oder Spritzwasser in das Gerät eindringt. Platzieren Sie keine mit Flüssigkeit gefüllten Behältnisse wie Vasen oder Trinkgefäße auf dem Gerät.
13. Sorgen Sie dafür, dass keine Gegenstände in das Gerät fallen können.
14. Betreiben Sie das Gerät nur mit dem vom Hersteller empfohlenen und vorgesehenen Zubehör.
15. ACHTUNG: Dieses Gerät der SCHUTZKLASSE I muss an einer Netzsteckdose mit Schutzleiter angeschlossen werden. Deaktivieren Sie niemals den Schutzleiter des mitgelieferten Netzkabels. Wenn das mitgelieferte Netzkabel nicht in Ihre Netzsteckdose passt, wenden Sie sich an einen Elektriker.
16. Treten Sie nicht auf das Netzkabel. Sorgen Sie dafür, dass das Netzkabel speziell an der Netz- und der Gerätebuchse nicht geknickt wird.
17. Überprüfen Sie nach dem Anschluss des Geräts alle Kabelwege, um Schäden oder Unfälle, z.B. durch Stolperfallen zu vermeiden.
18. Achten Sie bei der Verkabelung des Geräts immer darauf, dass das Netzkabel stets frei zugänglich ist.
19. Um das Gerät vollständig vom Stromnetz zu trennen, entfernen Sie das Netzkabel.
20. Wenn Ihr Gerät mit einem Volex-Netzanschluss bestückt ist, muss der passende Volex-Gerätestecker entsperrt werden, bevor er entfernt werden kann. Das bedeutet aber auch, dass das Gerät durch eine Ziehen am Netzkabel verrutschen kann, wodurch Personen verletzt werden und/oder andere Schäden auftreten können. Verlegen Sie Ihre Kabel daher immer sorgfältig.
21. Entfernen Sie das Netzkabel bei Gefahr eines Blitzschlags oder wenn Sie das Gerät länger nicht verwenden.
22. Achten Sie während eines Transports darauf, dass das Equipment nicht herunterfallen kann, wodurch Personen verletzt werden und/oder andere Schäden auftreten können.
23. Wenn Ihr Gerät nicht mehr ordnungsgemäß funktioniert, Flüssigkeiten oder Gegenstände in das Geräteinnere gelangt sind oder das Gerät anderweitig beschädigt wurde, schalten Sie es sofort aus und entfernen Sie das Netzkabel. Dieses Gerät darf nur von autorisiertem Fachpersonal repariert werden.
24. Verwenden Sie zur Reinigung des Geräts ein trockenes Tuch.
25. Beachten Sie alle in Ihrem Land geltenden Entsorgungsgesetze. Trennen Sie bei der Entsorgung bitte Plastik und Papier bzw. Kartontagen voneinander.
26. Kunststoffbeutel müssen außer Reichweite von Kindern aufbewahrt werden.

**ACHTUNG:**


Entfernen Sie niemals die Abdeckung, da sonst das Risiko eines elektrischen Schlages besteht. Im Inneren des Geräts befinden sich keine Teile, die vom Bediener repariert oder gewartet werden können. Lassen Sie Reparaturen ausschließlich von qualifiziertem Service-Personal durchführen.



Das gleichschenkelige Dreieck mit dem Blitzsymbol kennzeichnet nicht-isolierte, „gefährliche“ Spannungen im Gerät, die einen für die Gesundheit gefährlichen Stromschlag verursachen können.



Das gleichschenkelige Dreieck mit dem Ausrufezeichen kennzeichnet wichtige Bedienungs- und Wartungshinweise.

**ACHTUNG! HOHE LAUTSTÄRKEN!**

Dieses Gerät ist für den professionellen Einsatz vorgesehen. Der kommerzielle Betrieb dieses Geräts unterliegt den jeweils gültigen nationalen Vorschriften und Richtlinien zur Unfallverhütung. Als Hersteller ist Adam Hall gesetzlich verpflichtet, Sie ausdrücklich auf mögliche Gesundheitsrisiken hinzuweisen.

Gehörschäden und Dauerbelastung durch hohe Lautstärken: Dieser Lautsprecher kann hohe Schalldruckpegel (SPL) erzeugen, die bei Künstlern, Mitarbeitern und Zuschauern zu irreparablen Gehörschäden führen können. Vermeiden Sie länger anhaltende Belastung durch hohe Lautstärken über 90 dB.

## HINWEISE ZUM BETRIEB:

### PASSIVE LAUTSPRECHER

#### LD SAT42(W) / SAT242(W)

Pro Endstufenausgang können bis zu vier SAT42(W)- (bis zu zwei SAT242(W)-) Lautsprecher im Parallelbetrieb an 4 Ohm betrieben werden. Das Lautsprechersignal wird über das rückseitige Anschlussfeld einfach auf den nächsten SAT42(W)- (SAT242(W)-) Lautsprecher durchgeschliffen.

#### LD SAT62(W)

Pro Endstufenausgang können bis zu vier SAT62(W)-Lautsprecher im Parallelbetrieb an 4 Ohm betrieben werden. Das Lautsprechersignal wird über das rückseitige Anschlussfeld einfach auf den nächsten SAT62(W)-Lautsprecher durchgeschliffen.

#### LD SAT82(W)

Pro Endstufenausgang können bis zu zwei SAT82(W)/ W-Lautsprecher im Parallelbetrieb an 4 Ohm betrieben werden. Das Lautsprechersignal wird über das rückseitige Anschlussfeld einfach auf den nächsten SAT82(W) durchgeschliffen.

#### LD SUB88 in Verbindung mit dem LD SAT 42/242/62(W)

Verbinden Sie die Lautsprecherkabel von der Endstufe mit den Anschlüssen Input A und B des Subwoofers. Anschließend verbinden Sie die Satelliten SAT42/242 oder SAT62 mit den Anschlüssen Output A und B. Bis zu vier SAT42 / SAT62- oder bis zu zwei SAT242-Satelliten können in dieser Konfiguration an 4 Ohm betrieben werden. Wir empfehlen Lautsprecherkabel wie das Adam Hall KLS 215 mit einem Leitungsquerschnitt von mindestens 2 x 1.5 mm<sup>2</sup>.

### AKTIVLAUTSPRECHER

#### LD SAT62A

##### MONTAGE / INSTALLATION

Es wird empfohlen, das System immer als letztes ein- (ON) und als erstes auszuschalten (OFF), um die durch angeschlossene Mischpulte etc. verursachten Einschaltgeräusche zu vermeiden. Wenn mehrere LD SAT62A hintereinander geschaltet sind, sollten sie immer in der Anschlussreihenfolge ein- (ON) und in umgekehrter Reihenfolge ausgeschaltet (OFF) werden. Im Betriebsmodus AUTO sollte die Audioquelle erst nach 10 Minuten ohne Signal ausgeschaltet werden, um sicherzustellen, dass sich die angeschlossenen LD SAT62A im Standby-Modus befinden.

##### ANSCHLUSS UND BETRIEB

Schalten Sie den LD SAT62A aus (OFF), bevor Sie ihn anschließen. Der Anschluss kann sowohl über 6,3 mm Klinkenstecker (symmetrisch dreipolig / unsymmetrisch zweipolig) als auch über symmetrische dreipolige XLR-Stecker erfolgen. Nachdem Sie alle notwendigen Kabel angeschlossen und den Regler MAIN LEVEL ganz nach links gedreht haben, können Sie die Audioquelle einschalten. Anschließend können Sie auch den LD SAT62A einschalten (ON) (siehe oben). Drehen Sie jetzt den Regler MAIN LEVEL im Uhrzeigersinn, bis die gewünschte Lautstärke erreicht ist. Führen Sie diese Schritte mit allen angeschlossenen LD SAT62A durch. Auf der Seite **Rückseite Aktivlautsprecher** finden Sie eine Übersicht über die Bedien- und Anschlüsselemente des LD SAT62A .

##### DURCHSCHLEIFEN DES SIGNALS

Bei den Systemen LD SAT62A lässt sich das Audiosignal mithilfe eines dreipoligen XLR-Kabels auf weitere Systeme durchschleifen. Entsprechend ist es nicht notwendig, jedes Gerät einzeln mit der Audioquelle zu verbinden. Bitte verwenden Sie dazu hochwertige XLR-Kabel und achten Sie auf eine sorgfältige Verkabelung.

## SPESIFIKATIONEN:

	<b>LD SAT42(W)</b>	<b>LD SAT242(W)</b>	<b>LD SAT62(W)</b>	<b>LD SAT82(W)</b>	<b>LD SAT62A</b>
Product	Installation speaker	Installation speaker	Installation speaker	Installation speaker	Installation speaker
Type	passive	passive	passive	passive	active/bass reflex
Loudspeaker	4" woofer & 1" silkdome tweeter	2 x 4" woofer & 1" silkdome tweeter	6.5" woofer & 1" silkdome tweeter	8" woofer & 1" horn tweeter	6.5" woofer & 1" silkdome tweeter
Amplifier	-	-	-	-	Class A/B
Dispersion	60° x 60°	60° x 60°	60° x 60°	60° x 60°	60° x 60°
Load capacity (RMS / max.)	60/100W	100/180W	80/130W	120/200W	50W
Frequency range	75Hz-20.000Hz	75Hz-20.000Hz	55Hz-20.000Hz	50Hz-20.000Hz	55Hz-20.000Hz
SPL	85 dB	88 dB	89 dB	93 dB	89 dB
Max. SPL	103 dB	108 dB	108 dB	114 dB	108 dB
Protection circuit	-	-	-	-	excess current
Line in	-	-	-	-	sym. XLR / 6.3 mm Jack
Line out	-	-	-	-	sym. XLR
Power Input	-	-	-	-	220-240 V AC
Impedance	16ohms	8ohms	16ohms	8ohms	-
Terminals	Clamp-type connection	Clamp-type connection	Clamp-type connection	Clamp-type connection	-
Cabinet material	12 mm MDF	12 mm MDF	12 mm MDF	15 mm MDF	12 mm MDF
Cabinet surface	textured paint	textured paint	textured paint	textured paint	textured paint
Dimension (WXHXD)	140 x 230 x 125 mm	140 x 378 x 135 mm	200 x 320 x 200 mm	247 x 410 x 243 mm	200 x 320 x 205 mm
Weight	2.7 kg	4.1 kg	4.1 kg	8.5 kg	6 kg
Accessories	4 M6 rigging/mounting points, mounting brackets	4 M6 rigging/mounting points, mounting brackets	4 M6 rigging/mounting points, mounting brackets	4 M6 rigging/mounting points, mounting brackets	4 M6 rigging/mounting points, mounting brackets

ENGLISH

DEUTSCH

FRANCAIS

ESPAÑOL

POLSKI

ITALIANO

## RÜCKSEITE AKTIVLAUTSPRECHER:

### LD SAT62A

#### 1 MAIN LEVEL

Einstellen der Gesamtlautstärke

#### 2 POWER MODE

Umschalten zwischen Dauerbetrieb (ON) und Standby-Modus (AUTO). In der Position AUTO schaltet sich der Verstärker ein (ON), sobald ein Signal anliegt. Liegt mehrere Minuten lang kein Signal an, wechselt der Verstärker wieder in den Standby-Modus.

#### 3 POWER-LED

Die LED leuchtet ROT, wenn sich das Gerät im STANDBY-Modus befindet. Die LED leuchtet GRÜN, wenn das Gerät eingeschaltet ist (ON).

#### 4 INPUT XLR / 6,3 mm Klinke

Symmetrischer Line-Eingang für XLR-Stecker und 6,3 mm Klinkenstecker

#### 5 LINE DIRECT AUSGANG

Symmetrischer Direct Out für XLR-Stecker. Zum Durchschleifen des Signals auf weitere LD SAT62A / LD SAT82A.

#### 6 NETZSCHALTER

AN/AUS-Schalter:

#### 7 NETZBUCHSE

IEC-Netzbuchse, 240 V, mit integrierter Sicherung. Ziehen Sie vor dem Austausch der Sicherung das Netzkabel und verwenden Sie nur Sicherungen vom gleichen Typ und mit identischen Werten (T1A 250V AC). Sollte die Sicherung wiederholt auslösen, wenden Sie sich bitte an einen qualifizierten Servicetechniker.

#### 8 OVERLOAD-LED

Leuchtet bei Überlastung des Lautsprechers. Reduzieren Sie sofort die Lautstärke.

# RÜCKSEITE AKTIVLAUTSPRECHER:

ENGLISH

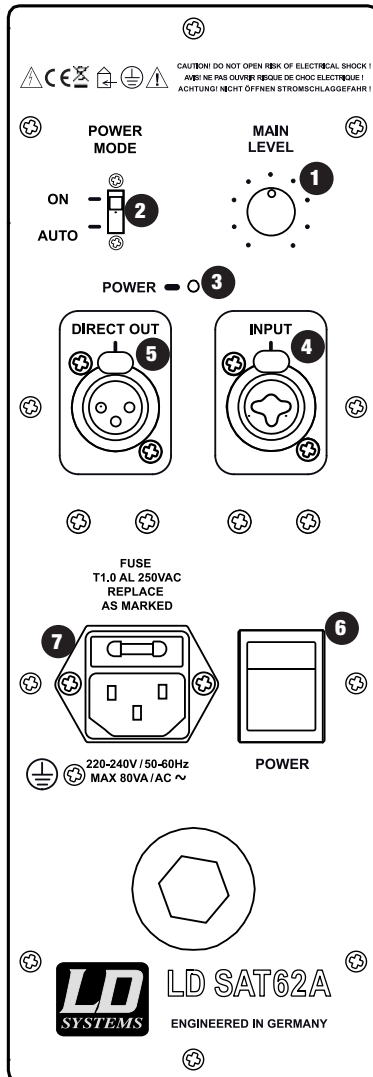
DEUTSCH

FRANCAIS

ESPAÑOL

POLSKI

ITALIANO



## HINWEISE ZUM BETRIEB:

### LD SUB88

#### MONTAGE / INSTALLATION

Das aktive System LD SUB88A kann entweder auf dem Boden oder auf einer ausreichend stabilen Unterlage installiert werden. Es wird dringend empfohlen, den LD SUB88A nicht höher als 150 cm über dem Boden zu installieren, um ein Kippen des Systems auszuschließen. Der LD SUB88A ist gleichermaßen für die horizontale und vertikale Montage geeignet.

Um ein Überhitzen des integrierten Verstärkers zu verhindern, achten Sie bei der Installation auf ausreichenden Abstand (> 20 cm) zu Wänden, Racks etc. Dies gilt in besonderem Maße für Installationen in Regalen, Tresen o. ä. Besonders wichtig ist die ausreichende Belüftung des integrierten Verstärkers. Achten Sie außerdem auf eine sorgfältige Verkabelung der Strom- und Anschlusskabel. Verwenden Sie ausschließlich unbeschädigte Kabel mit ausreichendem Durchmesser und wickeln Sie Kabelrollen immer vollständig ab. Um Unfällen und Beschädigungen vorzubeugen, achten Sie darauf, dass niemand über die Kabel stolpern kann. Platzieren Sie die Systeme bitte nicht direkt an der Kante von Podesten etc.

#### ANSCHLUSS UND BETRIEB

Schalten Sie den LD SUB88A aus (OFF), bevor Sie ihn anschließen. Der Anschluss kann sowohl über 6,3 mm Klinkenstecker (symmetrisch dreipolig / unsymmetrisch zweipolig) als auch über symmetrische dreipolige XLR-Stecker erfolgen. Nachdem Sie alle notwendigen Kabel angeschlossen und den Regler MAIN LEVEL ganz nach links gedreht haben, können Sie die Audioquelle einschalten. Anschließend können Sie auch den LD SUB88A einschalten (ON). Drehen Sie jetzt den Regler MAIN LEVEL im Uhrzeigersinn, bis die gewünschte Lautstärke erreicht ist. Mithilfe des Reglers SUB CROSSOVER können Sie den Frequenzbereich des LD SUB88 A auf die verwendeten Satelliten abstimmen. Bei Bedarf können Sie zusätzlich noch den Schalter PHASE betätigen. Wählen Sie die Schalterstellung, mit der Sie das beste Klangergebnis erhalten. Auf der Seite **Rückseite Aktivlautsprecher** finden Sie eine Übersicht über die Bedien- und Anschlusselemente des LD SUB88A. Es wird empfohlen, das System immer als letztes ein- (ON) und als erstes auszuschalten (OFF), um die durch angeschlossene Mischpulte etc. verursachten Einschaltgeräusche zu vermeiden.

### LD SUB10A

Der LD SUB10A ist ein außerordentlich kompakter, leistungsstarker aktiver 10"-Subwoofer. Dank des integrierten 3-Kanal-Leistungsverstärkers (3 x 120 W RMS) eignet sich dieses Multitalent sowohl als zusätzlicher Basslautsprecher in Kombination mit passiven Fullrange-Lautsprechern wie Stinger 8" oder Stinger 10" oder zur Ergänzung fest installierter Systeme mit passiven Lautsprechern aus der LD SAT-Serie.

#### MONTAGE / INSTALLATION

Der aktive LD SUB10A kann entweder auf dem Boden oder auf einer festen Unterkonstruktion mit angemessener Tragfähigkeit platziert werden. Wir raten dringend davon ab, den LD SUB10A in einer Höhe von mehr als 150 cm aufzustellen (Absturzrisiko).

Sorgen Sie zur Vermeidung von Überhitzung des integrierten Verstärkers auf ausreichenden Abstand (>20 cm) zu Wänden, Racks etc. Insbesondere bei der Installation in einem Regal, in einer Bar o.Ä. ist eine angemessene Belüftung zu gewährleisten. Achten Sie außerdem auf die korrekte Verkabelung der Netz- und Signalkabel. Verwenden Sie ausschließlich unbeschädigte Kabel mit ausreichendem Querschnitt und wickeln Sie Kabelrollen immer vollständig ab. Vergewissern Sie sich, dass niemand über die Kabel stolpern kann, um Unfällen und Beschädigungen vorzubeugen. Stellen Sie den Subwoofer nicht unmittelbar an einer Kante auf, zum Beispiel direkt an der Kante der Unterkonstruktion.



## HINWEISE ZUM BETRIEB / SPEZIFIKATIONEN:

ENGLISH

DEUTSCH

FRANCAIS

ESPAÑOL

POLSKI

ITALIANO

### ANSCHLUSS

Schalten Sie den LD SUB10A AUS, bevor Sie ihn mit anderen Geräten verbinden. Wenn sämtliche erforderlichen Kabel angeschlossen sind und der Haupt-Lautstärkereger (MAIN LEVEL) auf Null gedreht ist, kann das Zuspieldgerät (Signalquelle) eingeschaltet werden. Anschließend können Sie auch den LD SUB10A einschalten ("ON"). Drehen Sie den Haupt-Lautstärkereger nach rechts, bis die gewünschte Lautstärke erreicht ist.

	LD SUB88	LD SUB88A	LD SUB10A
Product	Installation speaker	Installation speaker	Installation speaker
Type	passive	active, bandpass	active, bass reflex
Loudspeaker	2x8" woofer	2x8" woofer	10" woofer
Amplifier	-	Class A/B	Class A/B
Load capacity (RMS / max.)	2 x 100/180W	150W	3 x 120W
Frequency range	40Hz to 120Hz	40Hz-120Hz	40Hz-120Hz
SPL	92 dB	92 dB	97 dB
Max. SPL	115dB	115 dB	118 dB
Protection circuit	-	excess current	Short circuit, Over current, Clip Limiter
Line in	-	sym. XLR / 6.3 mm Jack	-sym. XLR / 6.3 mm Jack
Line out	-	-	binding post-
Power Input	-	220-240 V AC	220-240 VAC
Impedance	2 x 8ohms	-	-
Terminals	Clamp-type connection	-	-
Cabinet material	15 mm MDF	15 mm MDF	15 mm MDF
Cabinet surface	textured paint	textured paint	textured paint
Dimension (WxHxD)	600 x 250 x 350 mm	600 x 250 x 350 mm	505 x 345 x 425 mm
Weight	11 kg	4.1 kg	21 kg
Accessories	-	-	Ergonomic milled handles, Threaded flange (M20)

## RÜCKSEITE AKTIVLAUTSPRECHER:

### LD SUB88A

#### 1 POWER-, SIGNAL- und LIMIT-LED POWER-LED

Die LED leuchtet grün, wenn das Gerät eingeschaltet ist (ON).

#### SIGNAL-LED

Die LED leuchtet grün, wenn ein Audiosignal anliegt.

#### LIMIT-LED

Die LED leuchtet auf, wenn der Lautsprecher im Grenzbereich betrieben wird. Ein kurzes Aufleuchten der LED ist unkritisch. Leuchtet die Limiter-LED länger oder sogar dauerhaft (das System wird überlastet), reduzieren Sie den Pegel der angeschlossenen Audioquelle oder die Lautstärke des Aktivlautsprechers. Eine Nichtbeachtung führt zu einer unangenehmen, verzerrten Klangwiedergabe und möglicherweise zur Beschädigung des Lautsprechersystems.

#### 2 SUB Crossover

Regelbarer Tiefpassfilter 80 - 200 Hz. Steuert die die untere Grenzfrequenz der angeschlossenen Satelliten.

#### 3 SUB LEVEL

Steuert die Lautstärke des aktiven Subwoofers.

#### 4 INPUT XLR / 6,3 mm Klinke

Symmetrischer Line-Eingang für XLR-Stecker und 6,3 mm Klinkenstecker

#### 5 SUB PHASE

Phasenumkehrschalter für den Subwoofer (0°/180°, falls erforderlich)

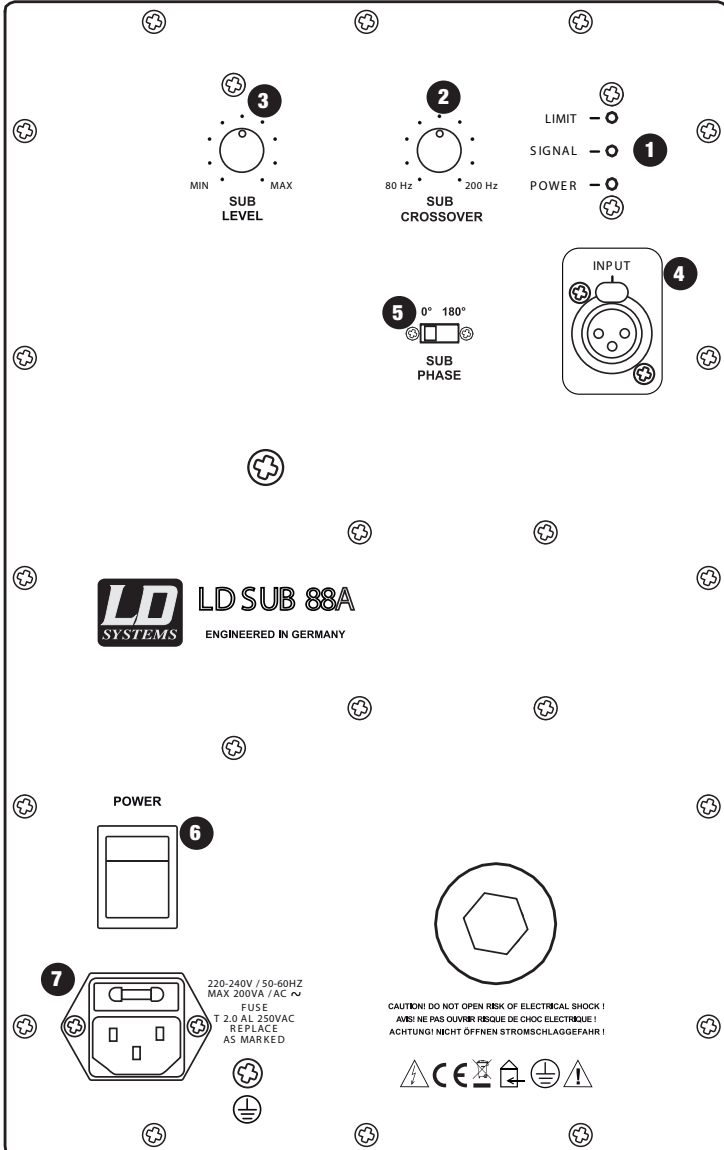
#### 6 NETZSCHALTER

AN/AUS-Schalter: Bitte schalten Sie den LD SUB88A immer NACH den angeschlossenen Geräten ein (ON) und VOR den angeschlossenen Geräten aus (OFF).

#### 7 NETZBUCHSE

IEC-Netzbuchse, 240 V, mit integrierter Sicherung. Ziehen Sie vor dem Austausch der Sicherung das Netzkabel und verwenden Sie nur Sicherungen vom gleichen Typ und mit identischen Werten (T1A 250V AC). Sollte die Sicherung wiederholt auslösen, wenden Sie sich bitte an einen qualifizierten Servicetechniker.

# RÜCKSEITE AKTIVLAUTSPRECHER:



ENGLISH

DEUTSCH

FRANCAIS

ESPAÑOL

POLSKI

ITALIANO

## RÜCKSEITE AKTIVLAUTSPRECHER:

### LD SUB10A

#### 1 MAIN LEVEL

Haupt-Lautstärkeregler des Systems (Subwoofer und angeschlossene passive Lautsprecher).

#### 2 SUB PHASE

Phasenumkehrschalter für den Subwoofer (0°/180°).

#### 3 SUB LEVEL

Subwoofer-Lautstärke (Standardeinstellung: Mittelstellung, „12 Uhr“).

#### 4 LINE DIRECT OUTPUT (LEFT / RIGHT)

Symmetrischer XLR-Line-Direktausgang (Links/Rechts) zum Durchschleifen des unbearbeiteten Eingangssignals

#### 5 LINE INPUT

Symmetrischer Line-Eingang (XLR/ 6,3-mm-Klinke).

#### 6 SPEAKER OUTPUT (LEFT / RIGHT)

Beispiele:

2 x 4 LDSAT42(W) oder

2 x 4 LDSAT62(W) oder

2 x 2 LDSAT242(W)

#### 7 NETZBUCHSE

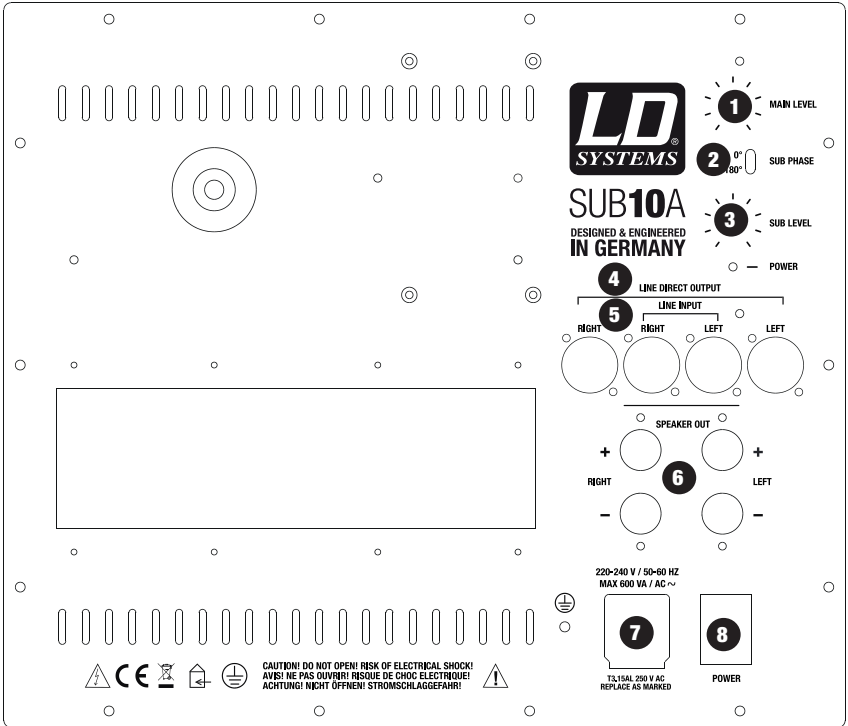
IEC-Netzbuchse, 240 V, mit Sicherung. Ziehen Sie vor Austausch der Sicherung stets den Netzstecker.

Ersetzen Sie Sicherungen ausschließlich durch Sicherungen gleichen Typs und gleichen Nennwerts. Sollte die Sicherung wiederholt auslösen, wenden Sie sich bitte an einen qualifizierten Servicetechniker.

#### 8 NETZSCHALTER

AN/AUS-Schalter: Schalten Sie den Subwoofer immer zuletzt AN und zuerst AUS, um störende Ein- bzw. Ausschaltgeräusche zu vermeiden.

# RÜCKSEITE AKTIVLAUTSPRECHER:



ENGLISH

DEUTSCH

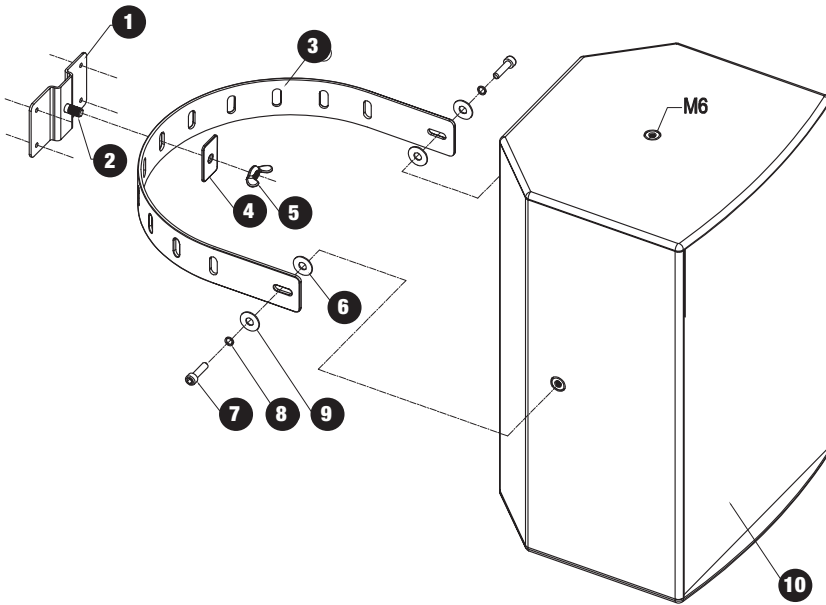
FRANCAIS

ESPAÑOL

POLSKI

ITALIANO

# LAUTSPRECHERHALTERUNG (EXPLOSIONSZEICHNUNG):



**1** Wandhalterung (Platte)

**2** M6 Schraube

**3** U-Haltebügel

**4** Unterlegscheibe

**5** Flügelmutter M8

**6** Gummischeibe

**7** Inbusschraube M6 x 16

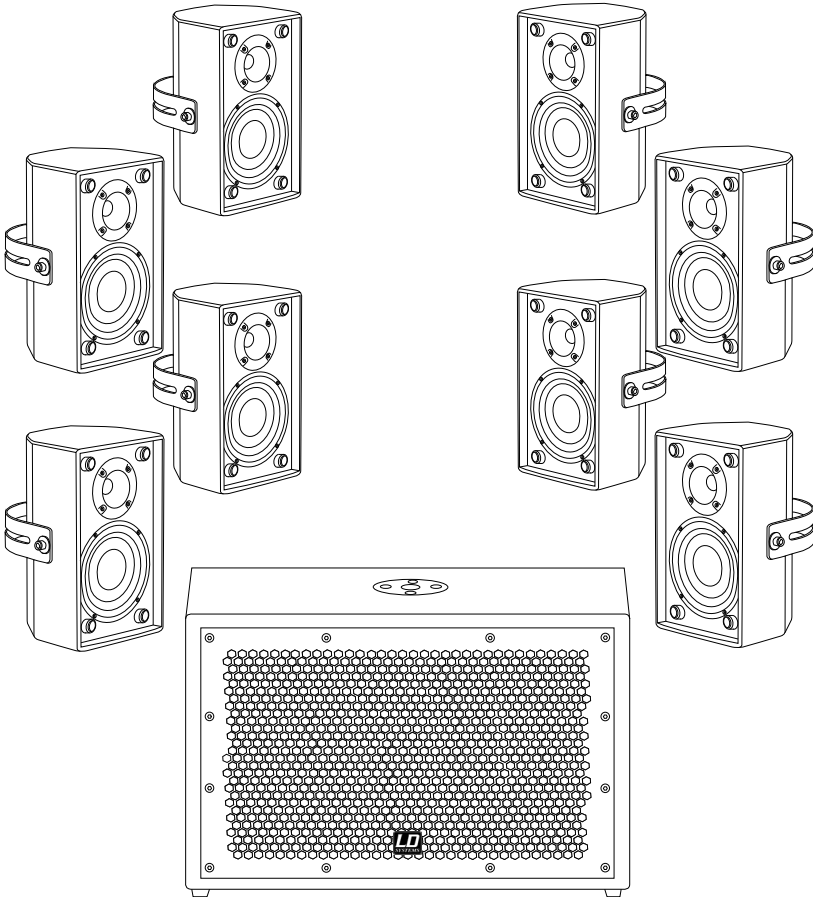
**8** Federscheibe

**9** Metallscheibe

**10** LD SAT Lautsprecherbox

# MÖGLICHE KOMBINATIONEN:

**LDSUB10A + 2 x 4 LDSAT42(W)**



ENGLISH

DEUTSCH

FRANCAIS

ESPAÑOL

POLSKI

ITALIANO

# MÖGLICHE KOMBINATIONEN:

LDSUB10A + 2 x2 LDSAT62(W)

ENGLISH

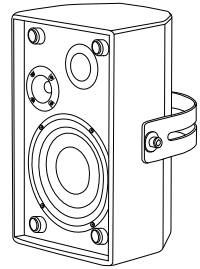
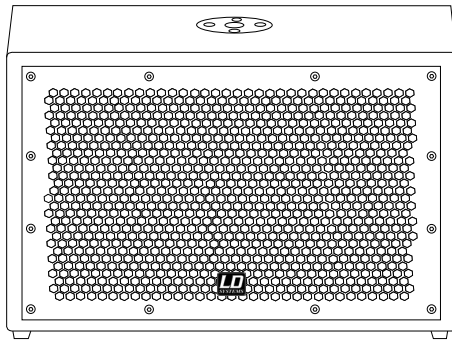
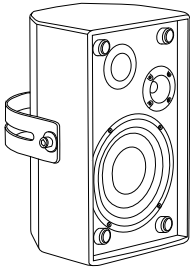
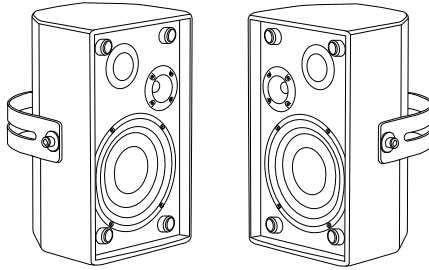
DEUTSCH

FRANCAIS

ESPAÑOL

POLSKI

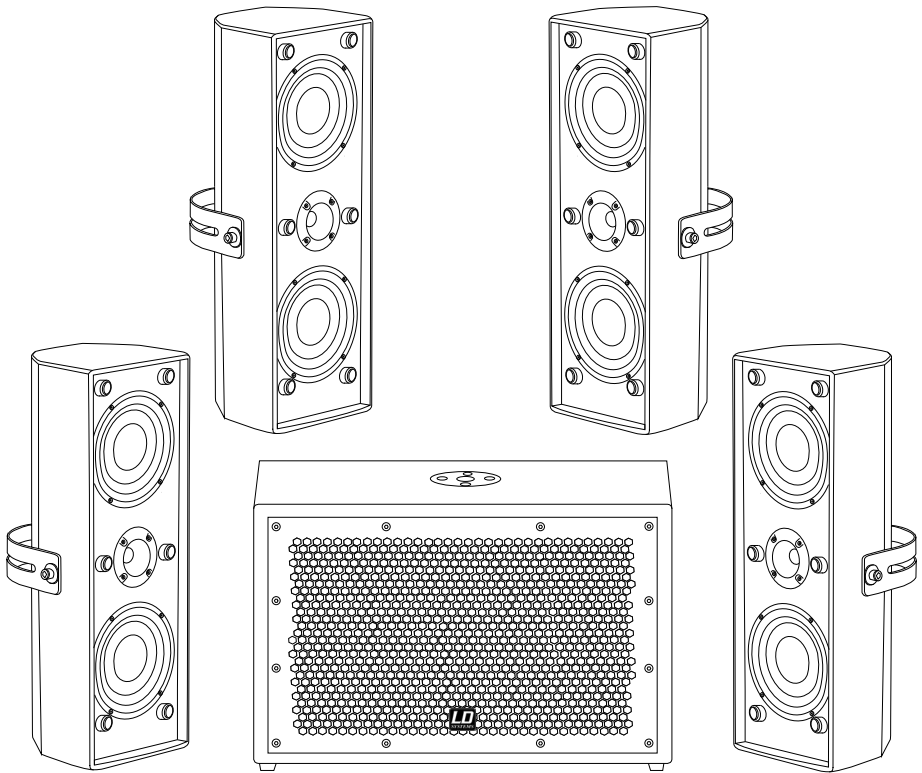
ITALIANO





# MÖGLICHE KOMBINATIONEN:

LDSUB10A + 2 x2 LDSAT242(W)



ENGLISH

DEUTSCH

FRANCAIS

ESPAÑOL

POLSKI

ITALIANO

## HERSTELLERERKLÄRUNGEN:

### GARANTIEBESTIMMUNGEN

Diese Garantie erstreckt sich auf die Marken Adam Hall, LD Systems, LD Premium, Defender, Palmer, Cameo und Eminence.

Die gesetzlichen Gewährleistungsrechte gegenüber dem Verkäufer werden von dieser Garantie nicht berührt. Vielmehr begründet diese Garantie zusätzliche selbständige Ansprüche gegenüber Adam Hall.

Mit dieser Garantie stellt Adam Hall sicher, dass das von Ihnen bei Adam Hall oder einem Adam Hall Partner erworbene Produkt bei normalem Gebrauch während des Zeitraums von 2 bzw. 5 Jahren ab Kaufdatum frei von Material- oder Verarbeitungsfehlern ist.

Der Garantiezeitraum beginnt mit dem Datum des Kaufs.

Der Geltendmachung eines Anspruchs auf Garantieleistungen erforderliche Nachweis des Kaufdatums, erfolgt durch die mit dem Kaufdatum versehene Quittung oder den mit dem Kaufdatum versehenen Lieferschein. Sie haben Anspruch auf den Garantieservice zu den in diesem Dokument aufgeführten Bedingungen und Bestimmungen, falls eine Reparatur der unter den oben genannten Marken vertriebenen Produkte innerhalb des Garantiezeitraums erforderlich ist.

Diese Garantie gilt nur für den ursprünglichen Käufer des von Adam Hall vertriebenen Produkts und ist nicht an Personen übertragbar, denen vom ursprünglichen Käufer das Eigentum am Adam Hall Produkt übertragen wird. Innerhalb des Garantiezeitraums werden die fehlerhaften Komponenten oder das Produkt von Adam Hall repariert oder ersetzt. Alle im Rahmen dieser Garantie entfernten Komponenten und Hardware-Produkte gehen in das Eigentum von Adam Hall über.

In dem unwahrscheinlichen Fall, dass bei dem von Ihnen erworbenen Adam Hall Produkt ein Fehler wiederholt auftritt, kann Adam Hall nach eigenem Ermessen entscheiden, Ihnen dieses Produkt durch ein vergleichbares Produkt mit mindestens derselben Leistung zu ersetzen.

Adam Hall übernimmt keine Garantie für einen störungs- oder fehlerfreien Betrieb dieses Produkts. Adam Hall übernimmt keine Verantwortung für auf eine inkorrekte Befolgung der im Lieferumfang des Adam Hall enthaltenen Anweisungen zurückzuführenden Schäden.

Diese Garantie erstreckt sich nicht auf

- Verschleißteile (z.B. Akkumulator).
- Geräte deren Seriennummer entfernt wurde oder die beschädigt oder fehlerhaft wurden als Folge eines Unfalls.
- nicht sachgerechter oder missbräuchlicher Verwendung oder anderer missbräuchlicher Verwendung oder anderer äußerer Ursachen.
- Geräte die nicht entsprechend den Betriebsparametern betrieben wurden, die in den im Lieferumfang des Produkts enthaltenen Benutzerunterlagen festgelegt sind.
- Geräte die aufgrund der Verwendung nicht von Adam Hall hergestellter oder vertriebener Teile repariert wurden.
- Geräte die durch Änderung oder Wartung durch jemand anderen als Adam Hall getätigt wurde.

Diese Bestimmungen und Bedingungen stellen die vollständige und ausschließliche Garantievereinbarung zwischen Ihnen und Adam Hall für das von Ihnen erworbene Adam Hall Produkt dar.

## HAFTUNGSBESCHRÄNKUNG

Wenn das unter der Marke Adam Hall vertriebene Produkt nicht entsprechend der obigen Garantie funktioniert, besteht Ihr alleiniger und ausschließlicher Anspruch aus dieser Garantie in der Reparatur oder dem Ersatz. Weitergehende Gewährleistungsansprüche bleiben hiervon unberührt. Die maximale Haftung von Adam Hall im Rahmen dieser Garantie ist ausdrücklich beschränkt auf den jeweils niedrigeren Betrag, der sich entweder aus dem Kaufpreis für das Produkt oder aus den Reparatur- bzw. Ersatzkosten von Hardware-Komponenten, die bei normalem Gebrauch nicht Ordnungsgemäß funktionieren, ergibt.

Adam Hall haftet aus dieser Garantie nicht für durch das Produkt oder sein versagen verursachte Schäden, einschließlich entgangener Gewinne, unterbliebener Einsparungen oder besonderer, indirekter oder Folgeschäden. Adam Hall haftet zudem nicht für von Dritten oder von ihnen für Dritte geltend gemachte Ansprüche.

Diese Haftungsbeschränkung gilt unabhängig davon, ob Schäden gerichtlich verfolgt werden, ob Schadenersatzansprüche im Rahmen dieser Garantie oder aufgrund unerlaubter Handlungen (Einschließlich Fahrlässigkeit und Gefährdungshaftung) oder aufgrund vertraglicher bzw. sonstiger Ansprüche gestellt werden. Diese Haftungsbeschränkung kann von keiner Person aufgehoben oder ergänzt werden. Diese Haftungsbeschränkung gilt auch dann, wenn sie Adam Hall über die Möglichkeit derartiger Schäden informiert haben. Sie gilt jedoch nicht für Ansprüche aus Personenschäden.

Aus dieser Garantie ergeben sich für Sie bestimmte Rechte. Möglicherweise haben Sie weitere Rechte, die Ihnen von Staat zu Staat und von Land zu Land unterschiedlich sein können. Es ist ratsam, die entsprechenden Gesetze des Staates bzw. Landes heranzuziehen, um Ihre Rechte umfassend zu ermitteln.

## INANSPRUCHNAHME DES REPARATURSERVICE

Um den Garantieservice bzw. Reparaturservice für das Produkt in Anspruch zu nehmen, wenden Sie sich bitte an Adam Hall oder an einen Adam Hall Partner, bei dem Sie das Produkt erworben haben.

## KORREKTE ENTSORGUNG DIESES PRODUKTES

(Gültig in der Europäischen Union)



Dieses Symbol (entweder auf dem Gerät oder dem dazugehörigen Handbuch) weist darauf hin, dass das Gerät nicht mit dem normalen Hausmüll entsorgt werden darf. Um mögliche Schäden an der Umwelt und an Personen zu verhindern, entsorgen Sie dieses Gerät bitte fachgerecht bei einer entsprechenden Stelle für Elektromüll.

Als Privatkunde Informieren Sie sich bitte beim Hersteller oder bei Ihrer Gemeinde über die Möglichkeiten der korrekten Entsorgung.

Als Geschäftskunde kontaktieren Sie bitte Ihren Lieferanten und prüfen Sie die Konditionen zur Entsorgung der Geräte. Dieses Produkt sollte nicht mit anderem gewerblichen Abfall entsorgt werden.

## HERSTELLERERKLÄRUNGEN:

ENGLISH

### WEEE-DEKLARATION



Ihr LD-Systems Produkt wurde unter der Verwendung hochwertiger Materialien und Komponenten die wiederverwertet oder wieder verwendet werden können hergestellt. Dieses Symbol weist darauf hin, dass elektronische Geräte nicht im normalen Hausmüll entsorgt werden dürfen. Entsorgen Sie dieses Gerät bitte fachgerecht bei einer entsprechenden Stelle für Elektromüll und helfen Sie dabei unsere Umwelt zu schützen.

DEUTSCH

### BATTERIEN UND AKKUS



Die mitgelieferten Batterien können wiederverwertet werden. Werfen Sie die Batterien daher nicht in den normalen Hausmüll sondern in gesonderte dafür vorgesehene Container. Helfen Sie, unsere Umwelt sauber zu halten.

FRANCAIS

ESPAÑOL

POLSKI

ITALIANO

Adam Hall GmbH, alle Rechte vorbehalten. Die technischen Daten und die funktionalen Produkteigenschaften können Änderungen und Irrtümer vorbehalten. Das Kopieren, die Übersetzung, und alle anderen Formen des Kopierens von Fragmenten oder der Vollständigkeit dieser Bedienungsanleitung ist untersagt.

ENGLISH

**DEUTSCH**

FRANCAIS

ESPAÑOL

POLSKI

ITALIANO



ENGLISH

DEUTSCH

FRANCAIS

ESPAÑOL

POLSKI

ITALIANO

## Merci d'avoir choisi LD-Systems !

Nous avons conçu ce produit en vue d'une fiabilité optimale pendant des années. La marque LD-Systems est synonyme de produits de haute qualité, grâce à des années d'expérience dans le domaine de la fabrication.

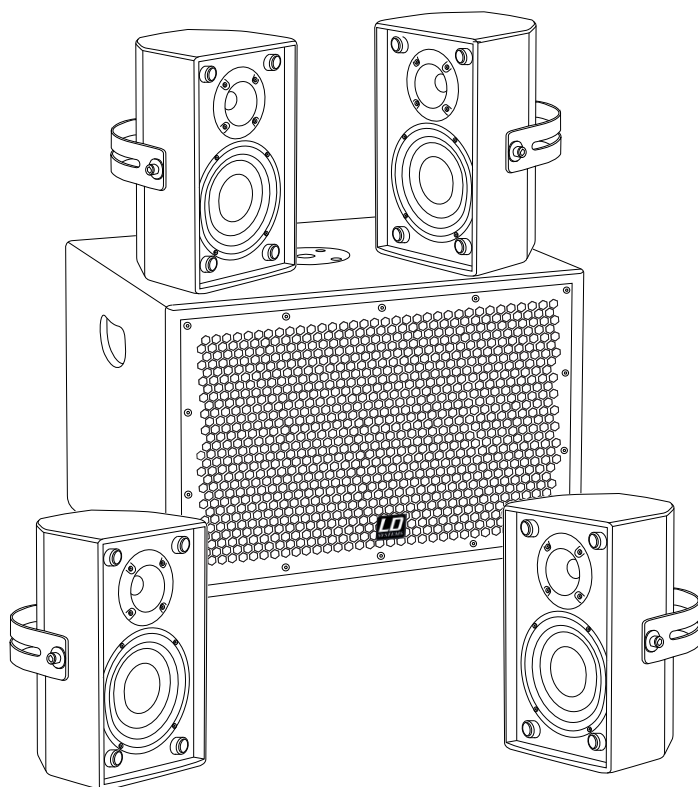
Veuillez prendre quelques instants pour lire attentivement ces instructions - cela vous permettra d'utiliser plus rapidement et de façon optimale votre produit LD-Systems.

Pour plus d'informations à propos de LD-Systems, visitez notre site Web, [WWW.LD-SYSTEMS.COM](http://WWW.LD-SYSTEMS.COM)

# LD **SAT/SUB** SERIES

**INSTALLATIONS SPEAKER** PASSIVE: SAT42 / SAT242 / SAT62 / SAT82 / SUB88

**INSTALLATIONS SPEAKER** ACTIVE: SAT62A / SUB10A / SUB88A



ENGLISH

DEUTSCH

FRANCAIS

ESPAÑOL

POLSKI

ITALIANO

## MESURES PRÉVENTIVES:

1. Veuillez lire attentivement ces instructions.
2. Gardez ces instructions et informations en lieu sûr.
3. Veuillez suivre ces instructions.
4. Veuillez respecter tous les avertissements.
5. N'utilisez l'appareil que conformément à l'usage auquel il est destiné.
6. N'utilisez que des pieds et/ou supports/étagères stables et appropriés pour installer l'appareil de façon permanente. Vérifiez bien que les supports muraux sont solidement fixés. Vérifiez que l'appareil est installé de façon stable, et ne peut tomber.
8. Ne placez pas l'appareil à proximité d'un radiateur, d'un four ou de toute autre source de chaleur. Veillez à assurer un refroidissement suffisant de l'appareil, afin d'éviter toute surchauffe.
9. Ne posez aucune source de flamme nue sur l'appareil (bougie allumée, par exemple).
10. N'obstruez pas les ouïes de ventilation.
11. N'utilisez pas l'appareil à proximité d'eau.
12. Vérifiez qu'aucune éclaboussure ou infiltration d'eau n'est possible dans l'appareil. Ne posez aucun objet rempli de liquide (vase, récipient...) sur l'appareil.
13. Vérifiez qu'aucun objet ne peut tomber dans l'appareil.
14. N'utilisez l'appareil qu'avec des accessoires dont l'emploi a été prévu par le fabricant.
15. **ATTENTION** : Cet appareil est classé PROTECTION CLASS I. Il doit être branché à une prise secteur munie d'une protection par liaison à la terre. Ne désactivez jamais la fonction de protection par mise à la terre du cordon secteur livré. Si la prise terminant le cordon secteur livré ne correspond pas à votre prise murale, veuillez contacter votre électricien.
16. Veillez à éviter tout piétinement du cordon secteur. Protégez le cordon secteur de toute flexion excessive, que ce soit côté prise murale ou côté appareil.
17. Pour éviter tout dommage ou incident, par exemple si quelqu'un a trébuché sur le câble, vérifiez tous les branchements une fois que vous avez branché l'appareil.
18. Lorsque vous branchez l'appareil, vérifiez que la prise murale reste facilement accessible.
19. Si vous désirez désolidariser complètement l'appareil de la tension secteur, il faut débrancher la prise murale.
20. Si votre appareil est équipé d'une embase secteur de type Volex, il faut déverrouiller le connecteur Volex correspondant pour pouvoir le débrancher. Du même coup, toute sollicitation sur le cordon secteur est susceptible de déplacer l'appareil, ce qui peut provoquer des blessures et/ou des dégâts matériels. Il vaut donc mieux, par conséquent, soigner les passages de câbles.
21. En cas de risque d'orage ou si l'appareil doit rester inutilisé un certain temps, débranchez sa prise murale.
22. Pour le transport, vérifiez que l'appareil ne peut pas tomber, ce qui pourrait provoquer des blessures et/ou des dégâts matériels.
23. Si votre appareil ne fonctionne plus correctement, s'il a été exposé à du liquide ou si un objet est tombé à l'intérieur, ou en cas de dommage, quel qu'il soit, éteignez-le immédiatement et débranchez sa prise murale. Cet appareil ne doit être réparé que par des experts autorisés.
24. Pour nettoyer l'appareil, utilisez exclusivement un chiffon sec
25. Respectez toutes les lois en vigueur dans votre pays pour jeter l'emballage. Veuillez séparer le plastique et le papier/carton.
26. Mettez les films plastique hors de portée des enfants.



**ATTENTION :**


Pour éviter tout risque d'électrocution, ne démontez pas le capot (ou le panneau arrière). L'appareil ne contient aucune pièce réparable par l'utilisateur. Veuillez confier la maintenance de l'appareil à un personnel qualifié.



Le pictogramme d'éclair, ou flèche dans un triangle équilatéral, est prévu pour alerter l'utilisateur de la présence d'une "tension dangereuse" non protégée à l'intérieur du coffret de l'appareil, d'une valeur suffisamment élevée pour constituer un risque pour l'organisme humain.



Le point d'exclamation à l'intérieur d'un triangle équilatéral sert à attirer l'attention de l'utilisateur sur la présence d'instructions importantes, relatives à l'utilisation ou à la maintenance, dans la brochure livrée avec l'appareil.

**ATTENTION ! NIVEAUX SONORES ÉLEVÉS !**

Cet appareil sera utilisé dans le cadre d'applications professionnelles. Par conséquent, son utilisation commerciale est soumise aux lois et aux réglementations en vigueur dans votre secteur d'activités. En tant que fabricant, Adam Hall est tenu de vous informer formellement de l'existence de certains risques sanitaires.

Dommages auditifs, exposition prolongée à des niveaux sonores excessifs : ce caisson de basses est capable de générer des niveaux de pression sonore (SPL) suffisants pour causer des dommages auditifs irréversibles aux artistes, aux équipes de production et au public. Attention à éviter toute exposition prolongée à des niveaux de pression sonore supérieurs à 90 dB SPL.



## INSTRUCTIONS D'UTILISATION:

### ENCEINTE PASSIVE

#### LD SAT42(W) / SAT242(W)

Vous pouvez connecter en parallèle jusqu'à 4 enceintes SAT42(W) (ou jusqu'à 2 SAT242(W) ) par canal d'amplificateur de puissance (impédance résultante 4 Ohms). Il suffit de renvoyer le signal HP à l'enceinte SAT42(W) (SAT242(W) ) suivante, au niveau du connecteur arrière.

#### LD SAT62(W)

Vous pouvez connecter en parallèle jusqu'à 4 enceintes SAT62(W) par canal d'amplificateur de puissance (impédance résultante 4 Ohms). Il suffit de renvoyer le signal HP à l'enceinte SAT62(W) suivante, au niveau du connecteur arrière.

#### LD SAT82(W)

Vous pouvez connecter en parallèle jusqu'à 2 enceintes SAT82(W) par canal d'amplificateur de puissance (impédance résultante 4 Ohms). Il suffit de renvoyer le signal HP à l'enceinte SAT82(W) suivante, au niveau du connecteur arrière

#### LD SUB88 utilisé conjointement aux enceintes LD SAT 42/242/62(W)

Branchez les câbles HP provenant de l'amplificateur de puissance sur les connecteurs à l'arrière du caisson de graves, repérés Input A et B. Puis reliez les enceintes satellites SAT42/242(W) ou SAT62(W) aux connecteurs repérés Output A et B. Vous pouvez relier ainsi, par canal, jusqu'à 4 satellites SAT42(W) / SAT62(W) ou jusqu'à 2 satellites SAT242(W) (en parallèle, impédance résultante 4 Ohms). Nous vous recommandons d'utiliser du câble HP dont les conducteurs possèdent une section d'au moins 2 x 1,5 mm<sup>2</sup>, comme le Adam Hall KLS 215 par exemple.

### ENCEINTE ACTIVE

#### LD SAT62A

##### FIXATION / INSTALLATION

Nous vous recommandons de toujours allumer le système de sonorisation en dernier et de toujours l'éteindre en premier, afin d'éviter tout bruit parasite dans les enceintes lors de l'allumage de la console, etc. Si vous connectez des enceintes satellites LD SAT62A supplémentaires, allumez-les dans l'ordre de la première à la dernière, et éteignez-les dans l'ordre inverse, de la dernière à la première. Si vous utilisez le mode AUTO, il vaut mieux éteindre la source après 10 minutes d'inactivité (absence de signal audio), afin d'être sûr que les enceintes satellites LD SAT62A connectées sont bien passées en mode Standby.

##### BRANCHEMENTS ET UTILISATION

Lors du branchement des enceintes satellites LD SAT62A, l'appareil devrait se trouver en position OFF. Les signaux audio peuvent arriver aussi bien sur des jacks 6,35 mm (TRS, symétriques compatibles asymétrique) que sur des XLR 3 points (symétriques). Après avoir connecté tous les câbles nécessaires et tourné à fond à gauche le potentiomètre MAIN LEVEL, vous pouvez allumer l'appareil audio source. Puis allumez aussi les enceintes satellites LD SAT62A (voir ci avant). Tournez ensuite le potentiomètre MAIN LEVEL dans le sens des aiguilles d'une montre, jusqu'à obtenir le niveau désiré. Procédez de même pour les satellites LD SAT62A le cas échéant. Les différents connecteurs et contrôles des satellites LD SAT62A sont illustrés sur la page du **panneau arrière des enceintes actives**.

##### RENOI DU SIGNAL AUDIO

Les enceintes LD SAT62A permettent de renvoyer leur signal audio d'entrée vers des enceintes supplémentaires, via des connecteurs XLR 3 points dédiés. Plus la peine, par conséquent, de relier ces enceintes supplémentaires à la source audio. Vérifiez que les câbles XLR que vous utilisez sont de bonne qualité, et que leur passage ne gêne pas.

## CARACTÉRISTIQUES :

	<b>LD SAT42(W)</b>	<b>LD SAT242(W)</b>	<b>LD SAT62(W)</b>	<b>LD SAT82(W)</b>	<b>LD SAT62A</b>
Product	Installation speaker	Installation speaker	Installation speaker	Installation speaker	Installation speaker
Type	passive	passive	passive	passive	active/bass reflex
Loudspeaker	4" woofer & 1" silkdome tweeter	2 x 4" woofer & 1" silkdome tweeter	6.5" woofer & 1" silkdome tweeter	8" woofer & 1" horn tweeter	6.5" woofer & 1" silkdome tweeter
Amplifier	-	-	-	-	Class A/B
Dispersion	60° x 60°	60° x 60°	60° x 60°	60° x 60°	60° x 60°
Load capacity (RMS / max.)	60/100W	100/180W	80/130W	120/200W	50W
Frequency range	75Hz-20.000Hz	75Hz-20.000Hz	55Hz-20.000Hz	50Hz-20.000Hz	55Hz-20.000Hz
SPL	85 dB	88 dB	89 dB	93 dB	89 dB
Max. SPL	103 dB	108 dB	108 dB	114 dB	108 dB
Protection circuit	-	-	-	-	excess current
Line in	-	-	-	-	sym. XLR / 6.3 mm Jack
Line out	-	-	-	-	sym. XLR
Power Input	-	-	-	-	220-240 V AC
Impedance	16ohms	8ohms	16ohms	8ohms	-
Terminals	Clamp-type connection	Clamp-type connection	Clamp-type connection	Clamp-type connection	-
Cabinet material	12 mm MDF	12 mm MDF	12 mm MDF	15 mm MDF	12 mm MDF
Cabinet surface	textured paint	textured paint	textured paint	textured paint	textured paint
Dimension (WXHXD)	140 x 230 x 125 mm	140 x 378 x 135 mm	200 x 320 x 200 mm	247 x 410 x 243 mm	200 x 320 x 205 mm
Weight	2.7 kg	4.1 kg	4.1 kg	8.5 kg	6 kg
Accessories	4 M6 rigging/mounting points, mounting brackets	4 M6 rigging/mounting points, mounting brackets	4 M6 rigging/mounting points, mounting brackets	4 M6 rigging/mounting points, mounting brackets	4 M6 rigging/mounting points, mounting brackets

ENGLISH

DEUTSCH

FRANCAIS

ESPAÑOL

POLSKI

ITALIANO

## PANNEAU ARRIÈRE DE L'ENCEINTE ACTIVE :

### LD SAT62A

#### 1 MAIN LEVEL

Ce potentiomètre permet de régler le volume sonore des enceintes satellites.

#### 2 POWER MODE

Ce sélecteur offre deux positions : allumé en permanence (ON) ou passage en mode Standby automatique (AUTO). En position AUTO, l'amplificateur intégré s'allume automatiquement dès réception d'un signal audio. Au bout de quelques minutes d'absence de signal audio, l'amplificateur repasse automatiquement en mode Standby.

#### 3 LED POWER

Cette LED s'allume en ROUGE lorsque l'appareil se trouve en mode STANDBY. Elle s'allume en vert lorsque l'appareil est allumé (ON).

#### 4 Connecteur d'entrée (INPUT) XLR / jack 6,35 mm

Entrée ligne symétrique sur connecteurs XLR et jack 6,35 mm

#### 5 Sortie LINE DIRECT OUTPUT

Sortie directe symétrique au niveau ligne sur connecteurs XLR Pour renvoi du signal audio d'entrée vers une autre LD SAT62A / LD SAT82A.

#### 6 INTERRUPTEUR MARCHE/ARRÊT

Interrupteur ON / OFF

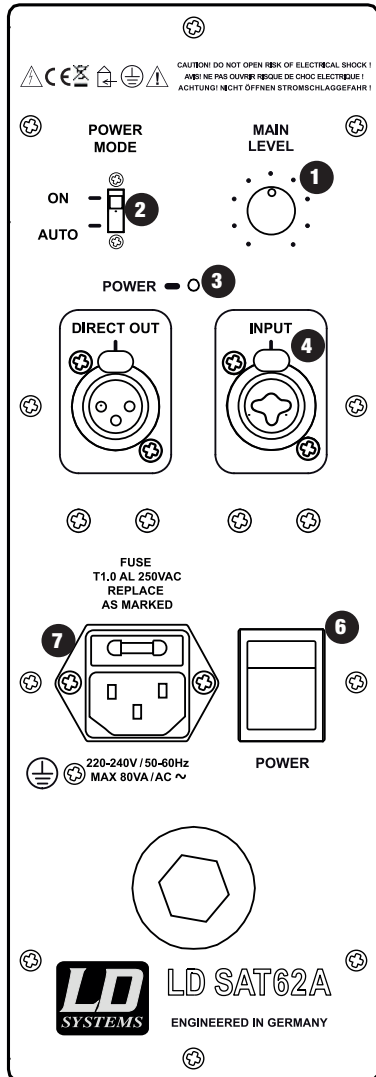
#### 7 EMBASE POUR CONNECTEUR SECTEUR

Embase pour connecteur secteur IEC, tension 240 V, et porte-fusible. Ne remplacez le fusible qu'après avoir déconnecté l'appareil du secteur, et utilisez un fusible du même type et de même calibre (T1A 250V AC). Si le fusible fond de façon répétée, veuillez contacter un réparateur agréé.

#### 8 LED OVERLOAD

Cette LED s'allume en cas de surcharge de l'enceinte. Dans ce cas, baissez immédiatement le volume.

# PANNEAU ARRIÈRE DE L'ENCEINTE ACTIVE :



ENGLISH

DEUTSCH

FRANCAIS

ESPAÑOL

POLSKI

ITALIANO

**5**

## INSTRUCTIONS D'UTILISATION:

### LD SUB88A

#### MONTAGE / INSTALLATION

Le caisson de graves amplifié LD SUB88A peut se poser par terre ou sur toute surface assez solide pour supporter son poids. Il est fermement déconseillé d'installer le LD SUB88A à une hauteur supérieure à 150 cm (risque de chute). Le LD SUB88A s'utilise indifféremment disposé à la verticale ou à l'horizontale.

Veillez à ménager une distance suffisante (> 20 cm) entre l'amplificateur intégré et les murs, les racks, etc., afin d'éviter toute surchauffe. Surtout si le caisson est placé dans une étagère, à l'intérieur d'un bar, etc. Il est important d'assurer une ventilation suffisante de l'amplificateur intégré. Veuillez respecter les modalités de câblage, tant pour le secteur que pour les entrées audio. N'utilisez que des câbles en bon état, de diamètre et de longueur adéquats, et n'oubliez pas de les dérouler complètement. Vérifiez le passage des câbles, afin d'éviter tout piétinement, emmêlement, accident ou dommage (fixez-les au sol avec du gaffeur).

N'installez pas les appareils à proximité immédiate d'une arête vive, bord de scène par exemple.

#### BRANCHEMENT ET UTILISATION

Vérifiez que le LD SUB88A est éteint (OFF) avant de procéder aux branchements. Les signaux audio peuvent arriver aussi bien sur des jacks 6,35 mm (TRS, symétriques compatibles asymétrique) que sur des XLR 3 points (symétriques). Après avoir branché tous les câbles nécessaires, vérifiez que le potentiomètre MAIN LEVEL est tourné à fond à gauche, puis allumez l'appareil audio source. Allumez ensuite le LD SUB88A. Veuillez tourner le potentiomètre MAIN LEVEL dans le sens des aiguilles d'une montre, jusqu'à obtenir le niveau de graves souhaité. Pour une meilleure adaptation du LD SUB88 avec les enceintes satellites que vous utilisez, vous pouvez affiner la fréquence de raccordement avec le potentiomètre SUB CROSSOVER. Autre possibilité d'action pour une meilleure intégration avec les satellites : le sélecteur PHASE. Utilisez la position donnant le meilleur son. Les différents connecteurs et contrôles du caisson LD SUB88A sont illustrés sur la page du **panneau arrière des enceintes actives**. Nous vous recommandons de toujours allumer le système de sonorisation en dernier et de toujours l'éteindre en premier, afin d'éviter tout bruit parasite dans les enceintes lors de l'allumage de la console, etc.

### LD SUB10A

Le LD SUB10A est un caisson de graves 10" très compact et puissant.. Grâce à son, amplificateur de puissance 3 canaux intégré (puissance : 3 x 120 Watts eff.), ce modèle polyvalent s'utilise aussi bien en renfort de graves, avec des enceintes passive "full range" telles que des Stinger 8 ou 10", qu'en installation fixe, en combinaison avec les enceintes passives de la gamme LD SAT.

#### FIXATION / INSTALLATION

Le caisson de basses amplifié LD SUB10A peut se poser par terre ou sur toute surface assez solide pour supporter son poids. Il est fermement déconseillé d'installer le LD SUB10A à une hauteur supérieure à 150 cm (risque de chute).

Veillez à ménager une distance suffisante (> 20 cm) entre l'amplificateur intégré et les murs, les racks, etc., afin d'éviter toute surchauffe. Il est essentiel de prévoir une ventilation suffisante, surtout si le caisson est installé dans une étagère, à l'intérieur d'un bar, etc. Veuillez respecter les modalités de câblage, tant pour le secteur que pour les entrées audio. N'utilisez que des câbles en bon état, de diamètre et de longueur adéquats, et n'oubliez pas de les dérouler complètement. Vérifiez le passage des câbles, afin d'éviter tout piétinement, emmêlement, accident ou dommage (fixez-les au sol avec du gaffeur). N'installez pas les appareils à proximité immédiate d'une arête vive, bord de scène par exemple.

## INSTRUCTIONS D'UTILISATION / CARACTÉRISTIQUES:

### BRANCHEMENTS

Avant de brancher les autres appareils, le LD SUB10A devrait être éteint. Après avoir branché tous les câbles nécessaires, vérifiez que le potentiomètre MAIN LEVEL est tourné à fond à gauche, puis allumez l'appareil audio source. Allumez ensuite le LD SUB10A. Tournez ensuite le potentiomètre MAIN LEVEL dans le sens des aiguilles d'une montre, jusqu'à obtenir le niveau désiré.

	LD SUB88	LD SUB88A	LD SUB10A
Product	Installation speaker	Installation speaker	Installation speaker
Type	passive	active, bandpass	active, bass reflex
Loudspeaker	2x8" woofer	2x8" woofer	10" woofer
Amplifier	-	Class A/B	Class A/B
Load capacity (RMS / max.)	2 x 100/180W	150W	3 x 120W
Frequency range	40Hz to 120Hz	40Hz-120Hz	40Hz-120Hz
SPL	92 dB	92 dB	97 dB
Max. SPL	115dB	115 dB	118 dB
Protection circuit	-	excess current	Short circuit, Over current, Clip Limiter
Line in	-	sym. XLR / 6.3 mm Jack	-sym. XLR / 6.3 mm Jack
Line out	-	-	binding post-
Power Input	-	220-240 V AC	220-240 VAC
Impedance	2 x 8ohms	-	-
Terminals	Clamp-type connection	-	-
Cabinet material	15 mm MDF	15 mm MDF	15 mm MDF
Cabinet surface	textured paint	textured paint	textured paint
Dimension (WxHxD)	600 x 250 x 350 mm	600 x 250 x 350 mm	505 x 345 x 425 mm
Weight	11 kg	4.1 kg	21 kg
Accessories	-	-	Ergonomic milled handles, Threaded flange (M20)

ENGLISH

DEUTSCH

FRANCAIS

ESPAÑOL

POLSKI

ITALIANO

## PANNEAU ARRIÈRE DE L'ENCEINTE ACTIVE :

### LD SUB88A

#### 1 LED POWER, SIGNAL, LIMIT LED POWER

S'allume en vert lorsque le caisson est allumé (ON).

#### LED SIGNAL

Cet indicateur s'allume dès qu'un signal audio est reçu sur le caisson de basses.

#### LED LIMIT

S'allume dès que le caisson approche de ses limites d'utilisation. Si cette LED ne clignote qu'occasionnellement, pas de problème. En revanche, si la LED LIMIT reste allumée longtemps ou en permanence, le caisson est surchargé. Veuillez réduire le niveau du signal audio source connecté ou le volume de l'enceinte active. Dans le cas contraire, vous obtiendrez un son déformé par la distorsion, désagréable à écouter, et vous risquez d'endommager le caisson.

#### 2 SUB CROSSOVER

Ce potentiomètre permet de régler la fréquence du filtre passe-bas intégré, de 80 à 200 Hz. Il permet d'optimiser le signal envoyé aux enceintes satellites, en fonction de leurs performances dans le grave.

#### 3 SUB LEVEL

Ce potentiomètre permet de régler le volume du caisson de graves actif.

#### 4 Connecteur INPUT XLR / jack 6,35 mm

Entrée ligne symétrique, sur connecteurs XLR et jack 6,35 mm

#### 5 SUB PHASE

Ce sélecteur inverse la phase du caisson de graves (0° / 180°) si nécessaire.

#### 6 INTERRUPTEUR MARCHE/ARRÊT

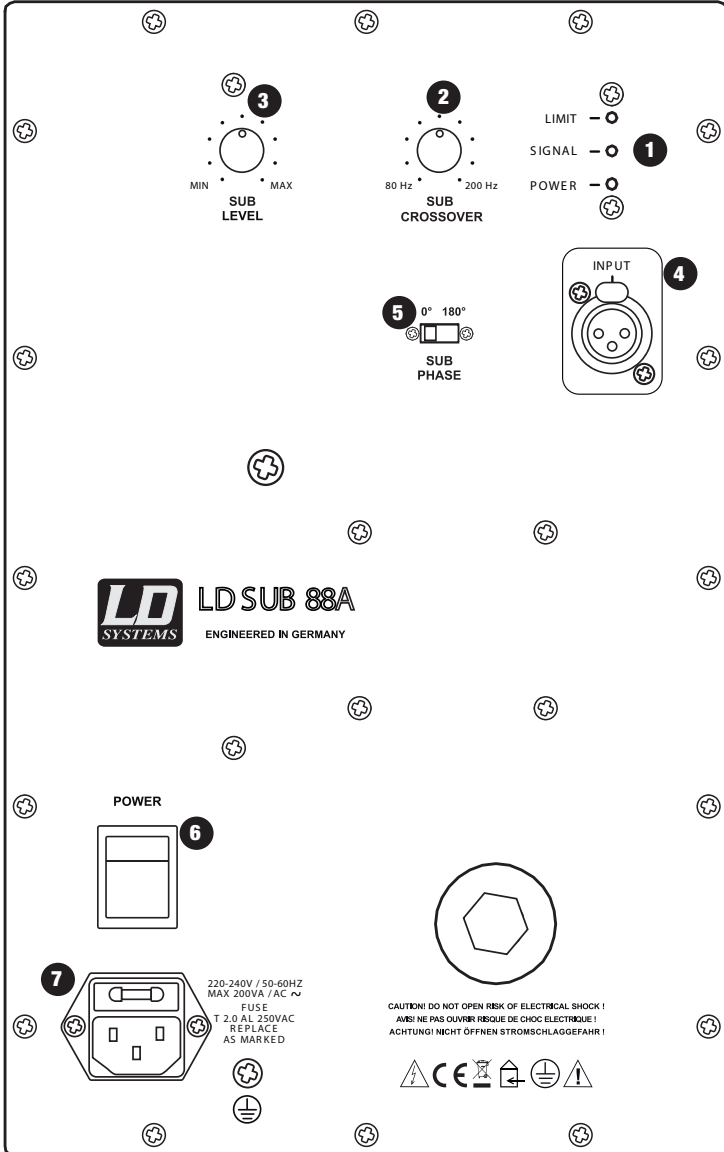
Interrupteur ON / OFF Veuillez respecter l'ordre suivant : allumez les sources audio AVANT le caisson de graves LF SUB88A. En revanche, éteignez le caisson de graves AVANT d'éteindre les sources audio.

#### 7 EMBASE POUR CONNECTEUR SECTEUR

Embase pour connecteur secteur IEC, tension 240 V, et porte-fusible Ne remplacez le fusible qu'après avoir déconnecté l'appareil du secteur, et utilisez un fusible du même type et de même calibre (T1A 250V AC). Si le fusible fond de façon répétée, veuillez contacter un réparateur agréé.



# PANNEAU ARRIÈRE DE L'ENCEINTE ACTIVE :



ENGLISH

DEUTSCH

FRANCAIS

ESPAÑOL

POLSKI

ITALIANO

## PANNEAU ARRIÈRE DE L'ENCEINTE ACTIVE :

### LD SUB10A

#### 1 MAIN LEVEL

Règle le volume sonore du système (caisson + enceintes passives connectées).

#### 2 SUB PHASE

Ce sélecteur inverse la phase du caisson de graves (0° / 180°) si nécessaire.

#### 3 SUB LEVEL

Potentiomètre de réglage du niveau du caisson de basses. (position standard : midi).

#### 4 LINE DIRECT OUTPUT (LEFT / RIGHT)

Sortie directe stéréo (gauche/droite) symétrique, sur connecteurs XLR. Renvoi du signal d'entrée.

#### 5 LINE INPUT

Entrée symétrique au niveau ligne, pour connecteurs XLR et jack 6,35 mm.

#### 6 SPEAKER OUTPUT (LEFT / RIGHT)

Exemples :

2 x 4 LDSAT42(W), ou

2 x 4 LDSAT62(W), ou

2 x 2 LDSAT242(W)

#### 7 EMBASE SECTEUR

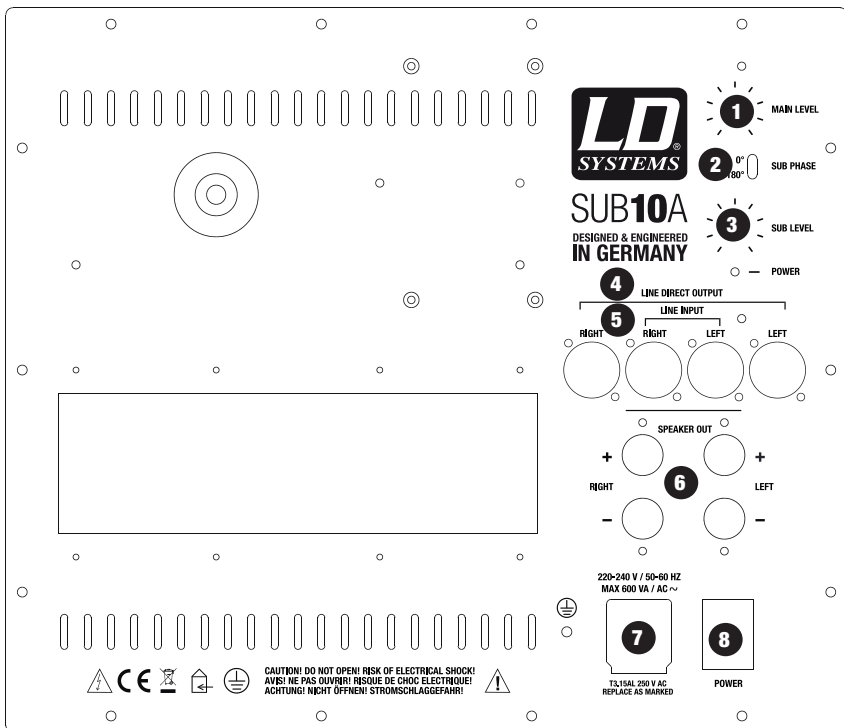
Embase pour connecteur secteur IEC, tension 240 V, et porte-fusible. Ne remplacez le fusible qu'après avoir débranché le cordon secteur de cette embase.

Ne remplacez le fusible que par un fusible de même type et valeur. Si le fusible fond de façon répétée, veuillez contacter un réparateur agréé.

#### 8 INTERRUPTEUR POWER

Interrupteur ON / OFF. N'allumer le caisson qu'en dernier, et éteignez-le en premier, afin d'éviter tout bruit parasite de mise sous/hors tension.

# PANNEAU ARRIÈRE DE L'ENCEINTE ACTIVE :



ENGLISH

DEUTSCH

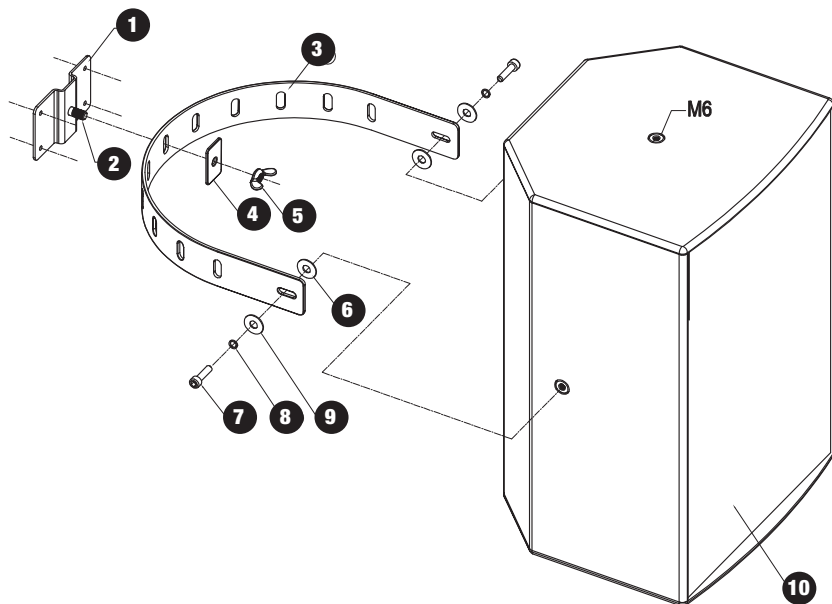
FRANCAIS

ESPAÑOL

POLSKI

ITALIANO

## SCHÉMA FIXATION (ÉCLATÉ):



**1** PANNEAU DE FIXATION MURALE

**2** VIS M6

**3** SUPPORT EN U (LYRE)

**4** RONDELLE

**5** ÉCROU M8

**6** RONDELLE CAOUTCHOUC

**7** VIS ALLEN M6 X 16

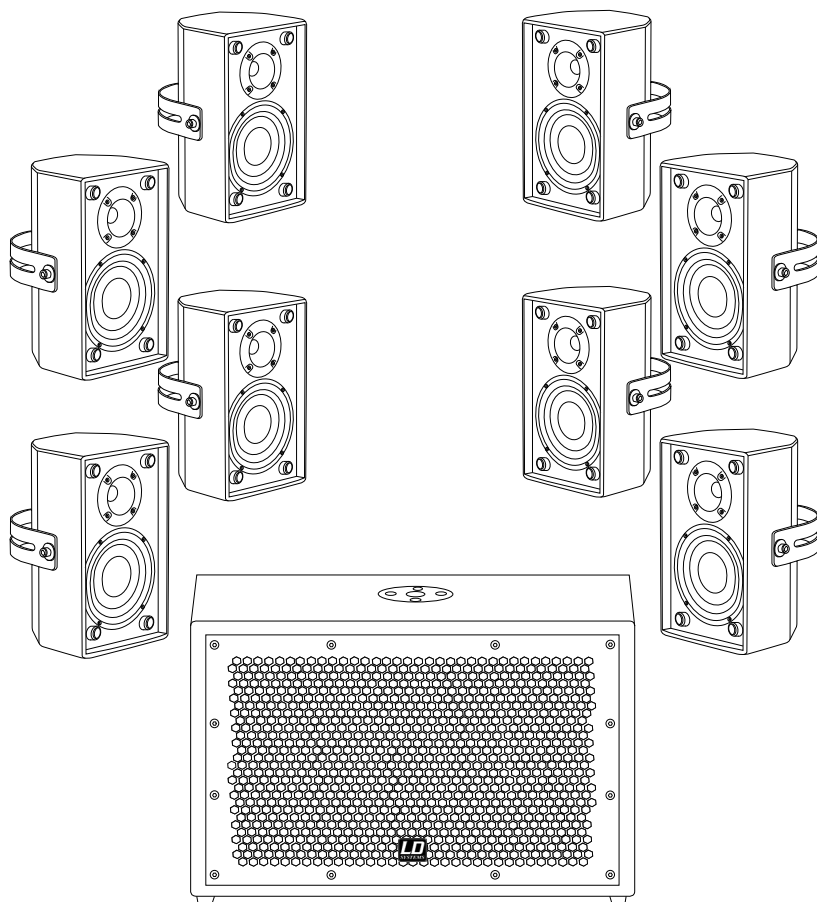
**8** RONDELLE

**9** RONDELLE MÉTALLIQUE

**10** COFFRET LD SAT

# COMBINAISONS D'INSTALLATION:

**LDSUB10A + 2 x 4 LDSAT42(W)**



ENGLISH

DEUTSCH

FRANCAIS

ESPAÑOL

POLSKI

ITALIANO

# COMBINAISONS D'INSTALLATION:

**LDSUB10A + 2 x2 LDSAT62(W)**

ENGLISH

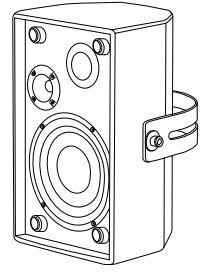
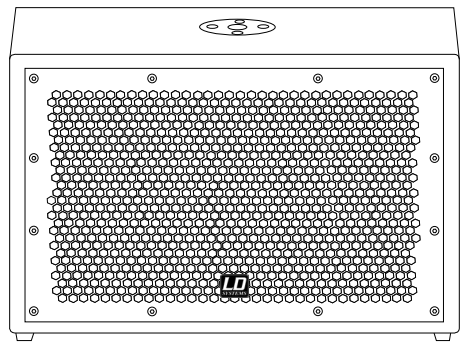
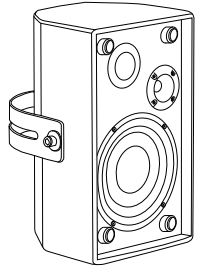
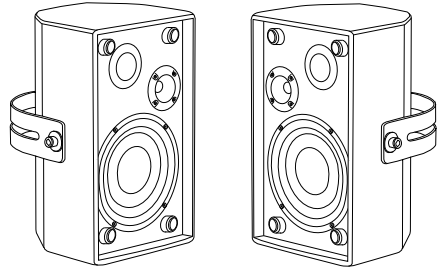
DEUTSCH

FRANCAIS

ESPAÑOL

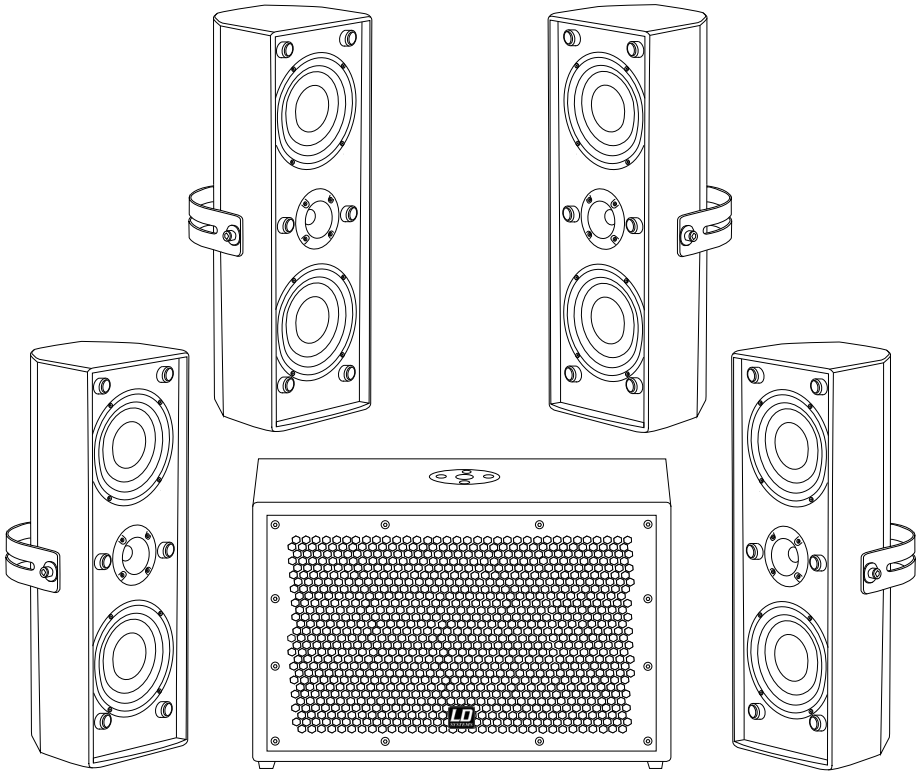
POLSKI

ITALIANO



# COMBINAISONS D'INSTALLATION:

LDSUB10A + 2 x2 LDSAT242(W)



ENGLISH

DEUTSCH

FRANCAIS

ESPAÑOL

POLSKI

ITALIANO

## DECLARATIONS DU FABRICANT:

### GARANTIE LIMITÉE:

Cette garantie limitée s'applique aux produits de la marque Adam Hall, LD Systems, LD Premium, Defender, Palmer, Cameo et Eminence.

Les droits inhérents à la garantie légale vis-à-vis du revendeur ne sont pas affectés par cette garantie. En fait elle justifie d'une garantie supplémentaire indépendante auprès de la société Adam Hall.

La société Adam Hall garantit que le produit que vous avez acheté Adam Hall ou à l'un de ses revendeurs officiels, est exempt de défaut matériel et d'usinage pour une durée de 2 ans (ou 5 ans pour les produits Palmer) à partir de la date d'achat, lorsqu'il est utilisé dans des conditions normales.

La période de garantie limitée débute le jour de l'achat du produit. Pour bénéficier de cette garantie vous devez produire une preuve d'achat sur laquelle figure la date d'achat du produit (ex : ticket de caisse daté, bon de livraison daté...). Si un produit d'une des marques citées ci-dessus venait à nécessiter une réparation durant la période de garantie limitée, vous aurez alors le droit de bénéficier des services de la garantie selon les termes et conditions mentionnés par ce document.

Cette garantie limitée ne s'applique qu'à l'acheteur initial de ce produit Adam Hall et ne peut être en aucun cas transférée à un tiers devenu propriétaire du produit. Durant la période de garantie limitée, Adam Hall s'engage à réparer ou remplacer les pièces défectueuses du produit. Toutes les pièces ou éléments démontés lors d'une réparation par Adam Hall deviennent la propriété d'Adam Hall.

Dans le cas improbable d'un défaut récurrent, Adam Hall peut, à sa discrétion, décider de vous fournir un produit de remplacement de son choix, dont les capacités techniques sont au moins équivalentes à celles de votre produit initial.

Adam Hall ne garantit pas que le fonctionnement de ce produit sera exempt d'erreur ou ininterrompu. Adam Hall ne peut pas être rendu responsable des dégâts résultant de votre manquement à suivre les instructions d'utilisation fournies avec votre produit.

Cette garantie limitée ne s'applique pas,

- aux pièces d'usure (ex: piles)
- aux produits dont le numéro de série a été effacé ou aux produits endommagés ou rendus défectueux par accident
- dans le cas d'une utilisation non conforme aux conditions normales d'utilisation, dans le cas d'abus ou toute autre cause externe
- dans le cas d'un usage du produit en dehors des paramètres d'utilisation stipulés dans la documentation fournie avec le produit
- dans le cas de l'usage de pièces de remplacement n'étant pas fabriquées ou vendues par Adam Hall
- dans le cas d'une modification du produit ou d'une réparation par quiconque autre qu'Adam Hall

Ces termes et conditions constituent l'accord de garantie complet et exclusif entre vous et Adam Hall concernant le produit de la marque Adam Hall que vous vous êtes procuré.



## LIMITATION OF LIABILITY

Si votre produit Adam Hall devait ne pas fonctionner correctement, votre seul et unique dédommagement sera la réparation du produit ou son remplacement. La responsabilité maximale imputable à Adam Hall dans le cadre de cette garantie limitée se limite au montant le plus bas. Ce montant découle du prix d'achat du produit ou bien du coût de la réparation ou des pièces de remplacement qui sont tombés en panne dans des conditions d'utilisation normales.

Adam Hall n'est pas responsable des dommages causés par le produit ou par un dysfonctionnement du produit, y compris les pertes de profits, les pertes d'épargne, et les conséquences inhérentes à ces dommages. La responsabilité d'Adam Hall ne peut pas être engagée dans le cas d'une réclamation par un tiers ou dans le cas d'une réclamation émanant de l'acheteur initial pour le compte d'un tiers.

Cette limitation de responsabilité est valable indépendamment du fait que les dommages commis fassent l'objet de poursuites judiciaires, qu'ils fassent l'objet de réclamation (y compris pour négligence), de réclamations contractuelles ou tout autre réclamation. Cette limitation de responsabilité ne peut être amendée ou dérogée par quiconque. Elle est effective même si vous aviez avisé Adam Hall ou l'un de ses représentants officiels de la possibilité d'un tel dommage. Toutefois cette limitation de responsabilité est sans effet dans le cas de réclamations pour dommages corporels.

Cette garantie limitée vous confère des droits légaux spécifiques. Selon votre pays, ou l'État dans lequel vous vous trouvez, il est possible que vous disposiez d'autres droits. Veuillez consulter les lois applicables dans votre pays ou votre État pour déterminer l'ensemble de vos droits.

## FAIRE FONCTIONNER LA GARANTIE

Pour faire fonctionner la garantie sur ce produit, veuillez contacter Adam Hall ou le revendeur agréé auquel vous avez acheté le produit.

## ELIMINATION CORRECTE DES DÉCHETS (DÉCHETS ÉLECTROMÉNAGERS)

(Applicable dans l'Union Européenne et dans les autres pays européens disposant d'un système de tri des déchets)



Ce signe figurant sur le produit, ou dans la brochure jointe au produit, indique qu'il ne doit pas être jeté dans le même bac à ordures que les déchets ménagers classiques lorsqu'il arrive en fin de vie. Pour écarter les risques de pollution de l'environnement ou les risques d'intoxication humaine dues à un mauvais traitement des déchets, veuillez séparer ce produit des autres types de déchets. Il sera ainsi inséré dans la boucle du recyclage et ces composants pourront être traités puis éventuellement réutilisés.

Nous recommandons aux particuliers de contacter leur revendeur local ou les autorités locales pour s'informer de la meilleure façon de traiter les déchets électroménagers.

Les professionnels doivent contacter leur fournisseur et examiner avec lui les termes et conditions de leur contrat d'achat. Ce produit ne doit pas être mélangé aux déchets industriels.

## DECLARATIONS DU FABRICANT:

### DECLARATION WEEE

Votre produit LD-Systems a été développé et fabriqué avec des matériaux et des composants de haute qualité, qui peuvent être recyclés et/ou réutilisés. Ce symbole indique que les appareils électriques et électroniques, à la fin de leur durée de vie opérationnelle, doivent être gérés séparément des déchets ordinaires.

Veuillez apporter ce produit au point de collecte ou centre de recyclage local prévu pour de tels appareils. Vous contribuerez ainsi à la protection de l'environnement dans lequel nous vivons tous.

### BATTERIES ET ACCUMULATEURS

Les piles ou batteries rechargeable livrées avec l'appareil sont recyclables. Veuillez les jeter dans un bac à déchets spécial, ou déposez-les chez votre revendeur spécialisé. Pour une meilleure protection de l'environnement, ne jetez les piles que lorsqu'elles sont épuisées.

Adam Hall GmbH, tous droits réservés. Les caractéristiques techniques et les fonctions disponibles sur le produit sont sujettes à modifications. La photocopie, la traduction et toute forme de copie, partielle ou intégrale, de ce manuel utilisateur sont interdites.

ENGLISH

DEUTSCH

**FRANCAIS**

ESPAÑOL

POLSKI

ITALIANO



ENGLISH

DEUTSCH

FRANÇAIS

ESPAÑOL

POLSKI

ITALIANO

## ¡Gracias por elegir LD-Systems!

Este producto se ha diseñado para ofrecer una fiabilidad y durabilidad óptima. Los productos de LD-Systems se caracterizan por su gran calidad, avalada por el prestigio de la marca y una dilatada experiencia como fabricante.

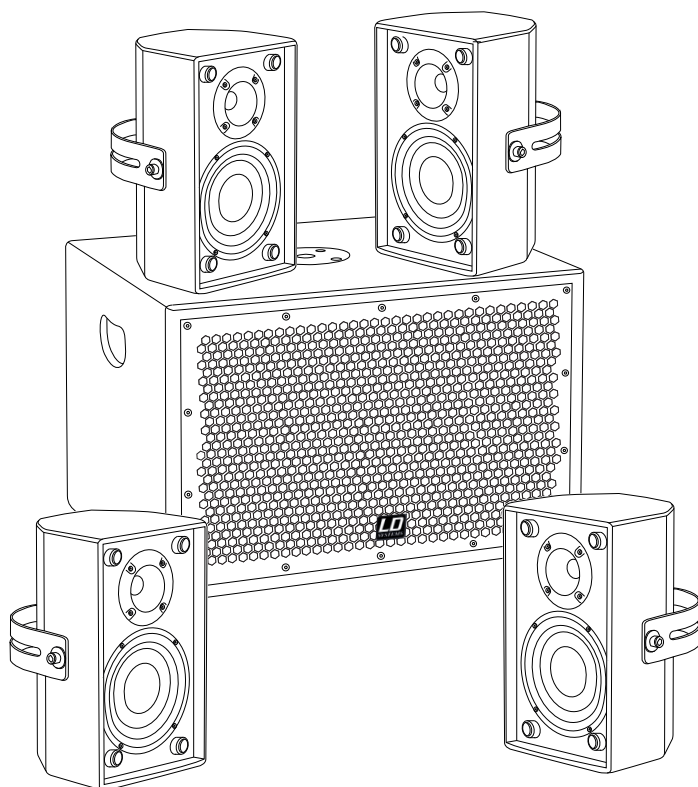
Le rogamos que lea atentamente estas instrucciones para familiarizarse rápidamente con este producto LD-Systems y aprovechar al máximo todas las funciones.

Si desea obtener información sobre LD-Systems, visite nuestro sitio web [WWW.LD-SYSTEMS.COM](http://WWW.LD-SYSTEMS.COM)

# LD **SAT/SUB** SERIES

**INSTALLATIONS SPEAKER** PASSIVE: SAT42 / SAT242 / SAT62 / SAT82 / SUB88

**INSTALLATIONS SPEAKER** ACTIVE: SAT62A / SUB10A / SUB88A



ENGLISH

DEUTSCH

FRANCAIS

ESPAÑOL

POLSKI

ITALIANO

## MEDIDAS DE SEGURIDAD:

1. Lea detenidamente este manual.
2. Guarde el manual para poder consultarlo en el futuro.
3. Siga las instrucciones del manual.
4. Tenga en cuenta las advertencias de seguridad.
5. Utilice el equipo únicamente según la finalidad prevista.
6. Emplee un soporte y/o sistema de fijación estables y adecuados cuando instale el equipo de forma permanente. Asegúrese de que los soportes para pared están firmemente fijados. Asegúrese de que el equipo está instalado de forma segura y no se puede caer.
8. Evite colocar el equipo cerca de radiadores, acumuladores de calor o cualquier otra fuente de calor. Segúrese de que el equipo dispone de la suficiente ventilación y de que no se sobrecalentará.
9. No coloque velas encendidas, ni otras fuentes de llama, sobre el equipo.
10. No tape las rejillas de ventilación.
11. No utilice el equipo cerca del agua.
12. Asegúrese de que el equipo no quede expuesto a goteras o salpicaduras de agua. No coloque recipientes llenos de líquido, como floreros o copas, sobre el equipo.
13. Asegúrese de que no se caiga ningún objeto sobre el equipo.
14. Emplee el equipo únicamente con los accesorios recomendados por el fabricante.
15. **ADVERTENCIA:** Este equipo de CLASE DE PROTECCIÓN I debe conectarse a una toma eléctrica con conexión de protección a tierra. No desactivar nunca esta conexión de protección a tierra del cable eléctrico. Si el enchufe no encaja en la toma eléctrica, consulte a un electricista.
16. Asegúrese de que el cable eléctrico no está pinzado. Evite que el cable resulte pellizcado, sobre todo en los extremos de conexión al equipo y en la toma eléctrica.
17. Para evitar accidentes y daños personales, compruebe que en toda la longitud del cableado no hay peligro de que provoque una caída, por ejemplo.
18. Al conectar el equipo, asegúrese de que haya una toma eléctrica accesible.
19. Para desconectar completamente el equipo de la tensión eléctrica, desenchúfelo de la toma eléctrica.
20. Si el equipo dispone de un enchufe eléctrico Volex, deberá desbloquearse el Volex del equipo para desenchufarlo. Esto implica que un tirón en el cable eléctrico puede desplazar el equipo y provocar daños personales o materiales. Por tanto, asegúrese de instalar los cables con sumo cuidado.
21. Si es probable que caiga un rayo por una tormenta eléctrica o si no va a emplear el equipo durante mucho tiempo, desenchufe el cable eléctrico.
22. Al transportar el equipo, para evitar daños personales o materiales, asegúrese de que no se pueda caer accidentalmente.
23. Si el equipo no funciona correctamente, o si se ha vertido líquido sobre él, o si un objeto ha caído en su interior o si ha sufrido algún desperfecto, apague inmediatamente el equipo y desenchufe el cable eléctrico. Nicamente un técnico especialista debe reparar el equipo.
24. Emplee un paño seco para limpiar el equipo.
25. Siga las normas sobre reciclaje existentes en su país. Separe el plástico del papel y cartón.
26. No deje las bolsas de plástico al alcance de los niños.

**ADVERTENCIA:**


Para evitar el riesgo de descarga eléctrica, no retire la tapa (o el panel posterior). Este equipo no contiene piezas que puedan ser reparadas por el usuario. Para cualquier tarea de mantenimiento o reparación, acuda a un técnico cualificado.



El símbolo de rayo dentro de un triángulo equilátero advierte al usuario de la presencia de tensión peligrosa sin aislamiento dentro de la carcasa del producto que pueden ser de magnitud suficiente como para suponer un riesgo para las personas.



El símbolo de exclamación dentro de un triángulo equilátero advierte al usuario de la existencia de importantes instrucciones de funcionamiento y mantenimiento (reparaciones) en la documentación adjunta con el equipo.

**ADVERTENCIA: ¡ALTO VOLUMEN!**

Este sistema de transmisión se destina a un uso profesional. Por consiguiente, si se aplica a un uso comercial, estará sujeto a las normas y reglamentos de la Asociación para la prevención de accidentes de su sector profesional. Como fabricante, Adam Hall tiene la obligación de informar formalmente a los usuarios de la existencia de posibles riesgos para la salud.

Daños auditivos por exposición prolongada a un nivel SPL alto: el altavoz puede generar fácilmente un nivel de presión sonora (SPL) lo suficientemente elevado como para causar daños auditivos permanentes a los artistas, el personal de producción y el público. Deben tomarse precauciones para evitar la exposición prolongada a un SPL de más de 90 dB.



## OPERACIÓN:

### ALTAVOZ PASIVO

#### LD SAT42(W) / SAT242(W)

Se pueden conectar en paralelo hasta 4 altavoces SAT42(W) (o 2 SAT242(W)) por amplificador de potencia de 4 ohmios. Para ello, la señal de altavoz se envía en bucle desde el panel posterior de un altavoz al siguiente SAT42(W) (SAT242(W)).

#### LD SAT62(W)

Se pueden conectar en paralelo hasta 4 altavoces SAT62(W) por amplificador de potencia de 4 ohmios. Para ello, la señal de altavoz se envía en bucle desde el panel posterior de un altavoz al siguiente SAT62(W).

#### LD SAT82(W)

Se pueden conectar en paralelo 2 altavoces SAT82(W) por amplificador de potencia de 4 ohmios. Para ello, la señal de altavoz se envía desde el panel posterior de un altavoz al siguiente SAT82(W).

#### LD SUB88 conectado a LD SAT 42/242/62(W)

Conecte los cables de altavoz procedentes del amplificador de potencia a los terminales INPUT A y B del subwoofer. A continuación, conecte los satélites SAT42/242(W) o SAT62(W) a los terminales OUTPUT A y B. En esta combinación, puede conectar hasta 4 satélites SAT42/SAT62(W) o hasta 2 SAT242(W) para conseguir 4 ohmios. Se recomienda emplear cables de altavoz como el KLS 215 de Adam Hall, con una sección de al menos 2 x 1,5 mm<sup>2</sup>.

### ALTAVOZ ACTIVO

#### LD SAT62A/LD SAT82A

##### MONTAJE E INSTALACIÓN

Se recomienda encender el sistema el último y apagarlo el primero para evitar los chasquidos iniciales al conectar equipos como la mesa de mezclas, etc. Los LD SAT62A adicionales conectados deben encenderse en orden, del primero al último, y deberán apagarse en el orden inverso. En el modo AUTO, la fuente de señal debería apagarse únicamente al cabo de 10 minutos sin enviar señal; de esta forma, se garantiza que los LD SAT62A conectados están en modo Standby (reposo).

##### CONEXIÓN Y OPERACIÓN

Antes de conectar el LD SAT62A, asegúrese de que está apagado. Es posible la conexión mediante jacks de 6,3 mm (balanceado de tres contactos/no balanceado de dos contactos) o mediante XLR balanceado de tres pines. Cuando haya conectado todos los cables y haya posicionado el control MAIN LEVEL al mínimo, completamente a la izquierda, puede encender el equipo fuente de señal. Ahora puede encender también el LD SAT62A. Gire el control SUB LEVEL hacia la derecha hasta que consiga el nivel deseado. Siga el mismo procedimiento para los LD SAT62A adicionales, si procede. En la página **Panel posterior del altavoz activo** se muestran las conexiones y los controles del LD SAT62A.

##### BUCLE DE SEÑAL

El sistema LD SAT62A está diseñado para pasar la señal en bucle a otros equipos mediante un conector XLR de tres pines. No es necesario utilizar varios cables para conectar cada equipo directamente a la fuente de señal. Asegúrese de que los cables XLR son de buena calidad y de que la tirada de cables es segura.



# ESPECIFICACIONES TÉCNICAS:

LD SAT42(W)		LD SAT242(W)		LD SAT62(W)		LD SAT82(W)		LD SAT62A	
Product	Installation speaker	Installation speaker	Installation speaker	Installation speaker	Installation speaker	Installation speaker	Installation speaker	Installation speaker	Installation speaker
Type	passive	passive	passive	passive	passive	passive	passive	active/bass reflex	active/bass reflex
Loudspeaker	4" woofer & 1" silkdome tweeter	2 x 4" woofer & 1" silkdome tweeter	woofer & 1" silkdome tweeter	6.5" woofer & 1" silkdome tweeter	8" woofer & 1" horn tweeter	6.5" woofer & 1" silkdome tweeter	6.5" woofer & 1" silkdome tweeter	6.5" woofer & 1" silkdome tweeter	6.5" woofer & 1" silkdome tweeter
Amplifier	-	-	-	-	-	-	-	Class A/B	Class A/B
Dispersion	60° x 60°	60° x 60°	60° x 60°	60° x 60°	60° x 60°	60° x 60°	60° x 60°	60° x 60°	60° x 60°
Load capacity (RMS / max.)	60/100W	100/180W	80/130W	80/130W	120/200W	120/200W	120/200W	50W	50W
Frequency range	75Hz-20.000Hz	75Hz-20.000Hz	55Hz-20.000Hz	55Hz-20.000Hz	50Hz-20.000Hz	50Hz-20.000Hz	50Hz-20.000Hz	55Hz-20.000Hz	55Hz-20.000Hz
SPL	85 dB	88 dB	89 dB	89 dB	93 dB	93 dB	93 dB	89 dB	89 dB
Max. SPL	103 dB	108 dB	108 dB	108 dB	114 dB	114 dB	114 dB	108 dB	108 dB
Protection circuit	-	-	-	-	-	-	-	excess current	excess current
Line in	-	-	-	-	-	-	-	sym. XLR / 6.3 mm Jack	sym. XLR / 6.3 mm Jack
Line out	-	-	-	-	-	-	-	sym. XLR	sym. XLR
Power Input	-	-	-	-	-	-	-	220-240 V AC	220-240 V AC
Impedance	16ohms	8ohms	8ohms	16ohms	8ohms	8ohms	8ohms	-	-
Terminals	Clamp-type connection	Clamp-type connection	Clamp-type connection	Clamp-type connection	Clamp-type connection	Clamp-type connection	Clamp-type connection	Clamp-type connection	Clamp-type connection
Cabinet material	12 mm MDF	12 mm MDF	12 mm MDF	12 mm MDF	15 mm MDF	15 mm MDF	15 mm MDF	12 mm MDF	12 mm MDF
Cabinet surface	textured paint	textured paint	textured paint	textured paint	textured paint	textured paint	textured paint	textured paint	textured paint
Dimension (WXHXD)	140 x 230 x 125 mm	140 x 378 x 135 mm	140 x 320 x 200 mm	200 x 320 x 200 mm	247 x 410 x 243 mm	247 x 410 x 243 mm	247 x 410 x 243 mm	200 x 320 x 205 mm	200 x 320 x 205 mm
Weight	2.7 kg	4.1 kg	4.1 kg	4.1 kg	8.5 kg	8.5 kg	8.5 kg	6 kg	6 kg
Accessories	4 M6 rigging/mounting points, mounting brackets	4 M6 rigging/mounting points, mounting brackets	4 M6 rigging/mounting points, mounting brackets	4 M6 rigging/mounting points, mounting brackets	4 M6 rigging/mounting points, mounting brackets	4 M6 rigging/mounting points, mounting brackets	4 M6 rigging/mounting points, mounting brackets	4 M6 rigging/mounting points, mounting brackets	4 M6 rigging/mounting points, mounting brackets

ENGLISH

DEUTSCH

FRANCAIS

ESPAÑOL

POLSKI

ITALIANO



## PANEL POSTERIOR DEL ALTAVOZ ACTIVO:

### LD SAT62

#### 1 MAIN LEVEL

Ajusta el volumen de los altavoces

#### 2 POWER MODE

Alterna entre encendido continuo (ON) y Standby (AUTO). En la posición AUTO el amplificador se activa cuando recibe señal. Al cabo de varios minutos sin señal, el amplificador pasa a modo Standby.

#### 3 LED POWER

Se ilumina de color ROJO si el equipo está en Standby. Se ilumina de color VERDE si el equipo está encendido.

#### 4 INPUT XLR/jack 6,3 mm

Entrada de línea balanceada con XLR y jack de 6,3 mm.

#### 5 DIRECT OUTPUT

Salida de línea balanceada directa por conector XLR. Conecte esta salida a otro LD SAT62A.

#### 6 INTERRUPTOR DE ENCENDIDO (POWER)

Interruptor de encendido/apagado.

#### 7 TOMA DE TENSIÓN CON PORTAFUSIBLE

Toma de tensión de 240 V (conector IEC) con portafusible. Si necesitas sustituir el fusible, hágalo con la tensión eléctrica desenchufada y emplee un fusible del mismo tipo y características (T1A 250 VAC). Si el fusible se fundiera continuamente, póngase en contacto con un servicio técnico autorizado.

#### 8 LED OVERLOAD

Se ilumina si hay una sobrecarga en el altavoz. En este caso, disminuya el volumen inmediatamente.

ENGLISH

DEUTSCH

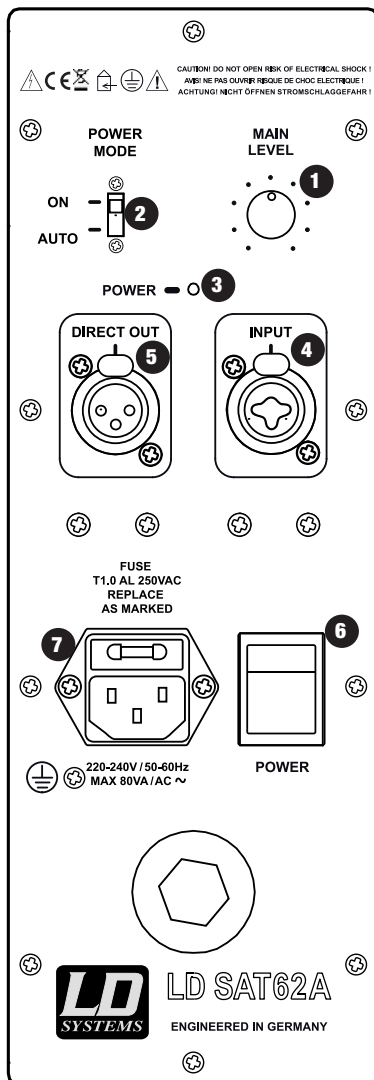
FRANÇAIS

ESPAÑOL

POLSKI

ITALIANO

# PANEL POSTERIOR DEL ALTAVOZ ACTIVO:



ENGLISH

DEUTSCH

FRANCAIS

ESPAÑOL

POLSKI

ITALIANO

## OPERACIÓN:

### LD SUB88A

#### MONTAJE E INSTALACIÓN

El sistema activo LD SUB88A puede instalarse en el suelo o sobre una base sólida con la capacidad de carga adecuada. Se recomienda instalar el subwoofer LD SUB88A a una altura inferior a 150 cm (por el riesgo de caída). El LD SUB88A puede instalarse tanto en horizontal como en vertical.

Mantenga una distancia mínima de 20 cm entre el amplificador integrado y las paredes, estanterías, etc. para evitar cualquier sobrecalentamiento. Téngalo en cuenta sobre todo si lo instala sobre un estante o en un bar, por ejemplo. Es importante que haya una ventilación suficiente para el amplificador integrado. Asegúrese de que utiliza un cableado adecuado tanto para la alimentación como para el altavoz. Emplee únicamente cables que no estén dañados y del calibre adecuado; además, asegúrese de que los rollos de cable están completamente desenrollados. Para evitar accidentes y daños personales, compruebe que en toda la longitud del cableado no hay peligro de que provoque una caída.

No instale los elementos cerca de un desnivel, como el borde de la base.

#### CONEXIÓN Y OPERACIÓN

Antes de conectar el LD SUB88A, asegúrese de que está apagado. Es posible la conexión mediante jacks de 6,3 mm (balanceado de tres contactos/no balanceado de dos contactos) o mediante XLR balanceado de tres pines. Cuando haya conectado todos los cables y haya posicionado el control SUB LEVEL al mínimo, puede encender el equipo fuente de señal. Ahora puede encender también el LD SUB88A. Gire el control SUB LEVEL hacia la derecha hasta que consiga el nivel deseado. Mediante el control SUB CROSSOVER podrá ajustar el límite superior de la banda de frecuencias del LD SUB88 A en relación con los satélites empleados. El conmutador SUB PHASE puede ser útil si emplea altavoces satélite. Para ello, sitúe el conmutador en la posición en la que mejore el sonido. En la página **Panel posterior del altavoz activo** se muestran las conexiones y los controles del LD SUB88A. Se recomienda encender el sistema el último y apagarlo el primero para evitar los chasquidos iniciales al conectar equipos como la mesa de mezclas, etc.

### LD SUB10A

El LD SUB10A es un subwoofer activo de 10" muy compacto y potente. Gracias a su amplificador integrado de 3 canales (3 x 120 W RMS) puede funcionar como un altavoz de bajos adicional para otros altavoces pasivos Full Range, como el Stinger de 8" o el Stinger de 10", o como altavoz para instalación en combinación con los altavoces pasivos de la serie LD SAT.

#### MONTAJE E INSTALACIÓN

El sistema activo LD SUB10A puede instalarse en el suelo o sobre una base sólida con la capacidad de carga adecuada. Se recomienda instalar el subwoofer LD SUB10A a una altura inferior a 150 cm (por el riesgo de caída).

Mantenga una distancia mínima de 20 cm entre el amplificador integrado y las paredes, estanterías, etc. para evitar cualquier sobrecalentamiento. En particular, si instala el equipo sobre un estante o en un bar o local similar, procure que esté suficientemente ventilado. Asegúrese de que utiliza un cableado adecuado tanto para la alimentación como para la entrada y salida del altavoz. Emplee únicamente cables que no estén dañados y del calibre adecuado; además, asegúrese de que los rollos de cable están completamente desenrollados. Para evitar accidentes y daños personales, compruebe que en toda la longitud del cableado no hay peligro de que provoque una caída. No instale los elementos cerca de un desnivel, como el borde de la base.

## OPERACIÓN / ESPECIFICACIONES TÉCNICAS:

### CONEXIÓN

Antes de conectar a otros equipos, el LD SUB10A debe estar apagado. Cuando haya conectado todos los cables y haya posicionado el control MAIN LEVEL al mínimo, puede encender el equipo fuente de señal. Ahora puede encender también el LD SUB10A. Gire el control MAIN LEVEL hacia la derecha hasta que consiga el nivel deseado.

	LD SUB88	LD SUB88A	LD SUB10A
Product	Installation speaker	Installation speaker	Installation speaker
Type	passive	active, bandpass	active, bass reflex
Loudspeaker	2x8" woofer	2x8" woofer	10" woofer
Amplifier	-	Class A/B	Class A/B
Load capacity (RMS / max.)	2 x 100/180W	150W	3 x 120W
Frequency range	40Hz to 120Hz	40Hz-120Hz	40Hz-120Hz
SPL	92 dB	92 dB	97 dB
Max. SPL	115dB	115 dB	118 dB
Protection circuit	-	excess current	Short circuit, Over current, Clip Limiter
Line in	-	sym. XLR / 6.3 mm Jack	-sym. XLR / 6.3 mm Jack
Line out	-	-	binding post-
Power Input	-	220-240 V AC	220-240 VAC
Impedance	2 x 8ohms	-	-
Terminals	Clamp-type connection	-	-
Cabinet material	15 mm MDF	15 mm MDF	15 mm MDF
Cabinet surface	textured paint	textured paint	textured paint
Dimension (WxHxD)	600 x 250 x 350 mm	600 x 250 x 350 mm	505 x 345 x 425 mm
Weight	11 kg	4.1 kg	21 kg
Accessories	-	-	Ergonomic milled handles, Threaded flange (M20)

ENGLISH

DEUTSCH

FRANCAIS

ESPAÑOL

POLSKI

ITALIANO



## PANEL POSTERIOR DEL ALTAVOZ ACTIVO:

### LD SUB88A

#### 1 **LEDS POWER, SIGNAL, LIMIT** **LED POWER**

Se ilumina de color verde si el equipo está encendido.

#### **LED SIGNAL**

Se ilumina de color verde cuando el equipo recibe señal de audio.

#### **LED LIMIT**

Se ilumina cuando el altavoz se lleva al límite. No es crítico si el LED parpadea brevemente. Si el LED del limitador se ilumina durante más tiempo o de forma continua (se está sobrecargando el sistema), reduzca el nivel de la señal conectada o el volumen del altavoz activo. De lo contrario, se obtendrá un sonido distorsionado y puede que el altavoz se averíe.

#### 2 **SUB CROSSOVER**

Filtro pasabajos ajustable de 80 a 200 Hz. Permite ajustar la frecuencia a la mínima frecuencia de corte de los satélites conectados.

#### 3 **SUB LEVEL**

Permite ajustar el volumen del subwoofer activo.

#### 4 **INPUT XLR/jack 6,3 mm**

Entrada de línea balanceada con XLR y jack de 6,3 mm.

#### 5 **SUB PHASE**

Invierte la fase del subwoofer (0°/180°) si es necesario.

#### 6 **INTERRUPTOR DE ENCENDIDO (POWER)**

Interruptor de encendido/apagado. Encienda los equipos conectados antes de encender el subwoofer LD SUB88A y apáguelos después de apagar el LD SUB88A.

#### 7 **TOMA DE TENSIÓN CON PORTAFUSIBLE**

Toma de tensión de 240 V (conector IEC) con portafusible. Si es necesario sustituir el fusible, hágalo con la tensión eléctrica desenchufada y emplee un fusible del mismo tipo y características (T1A 250 VAC). Si el fusible se fundiera continuamente, póngase en contacto con un servicio técnico autorizado.

ENGLISH

DEUTSCH

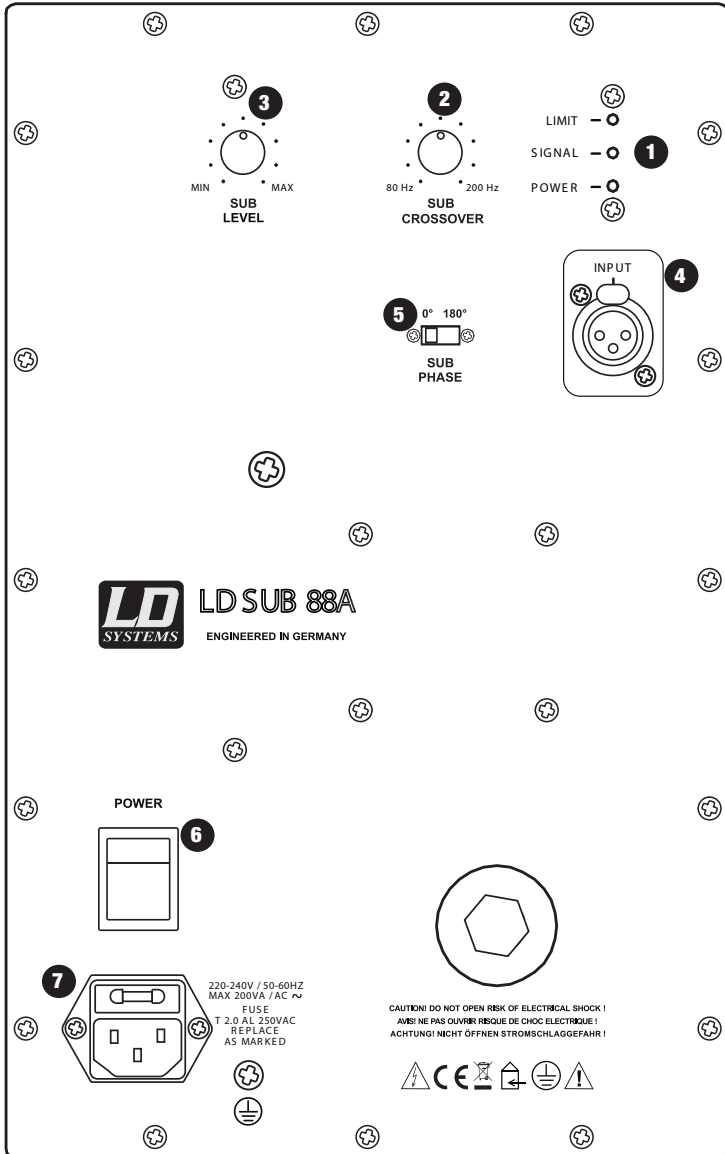
FRANÇAIS

ESPAÑOL

POLSKI

ITALIANO

# PANEL POSTERIOR DEL ALTAVOZ ACTIVO:



ENGLISH

DEUTSCH

FRANCAIS

ESPAÑOL

POLSKI

ITALIANO



## PANEL POSTERIOR DEL ALTAVOZ ACTIVO:

### LD SUB10A

#### 1 MAIN LEVEL

Volumen del sistema (subwoofer y altavoces pasivos conectados).

#### 2 SUB PHASE

Invierte la fase del subwoofer (0°/180°).

#### 3 SUB LEVEL

Volumen del subwoofer. (posición normal a las doce en punto.).

#### 4 LINE DIRECT OUTPUT (LEFT / RIGHT)

Salida de línea directa balanceada (izquierda/derecha) por XLR. Es la misma señal que la señal de entrada.

#### 5 LINE INPUT

Entrada de línea balanceada por conectores combo XLR/jack de 6,3 mm.

#### 6 SPEAKER OUTPUT (LEFT / RIGHT)

Ejemplos:

2 x 4 LDSAT42(W), o

2 x 4 LDSAT62(W), o

2 x 2 LDSAT242(W)

#### 7 TOMA DE TENSIÓN CON PORTAFUSIBLE

Toma de tensión de 240 V (conector IEC) con portafusible. Antes de sustituir el fusible asegúrese de que el cable eléctrico está desenchufado.

Sustituya el fusible únicamente por otro del mismo tipo y características. Si el fusible se fundiera continuamente, póngase en contacto con un servicio técnico autorizado.

#### 8 INTERRUPTOR DE ENCENDIDO (POWER)

Interruptor de encendido/apagado. Para evitar chasquidos, encienda el equipo el último y apáguelo el primero.

ENGLISH

DEUTSCH

FRANÇAIS

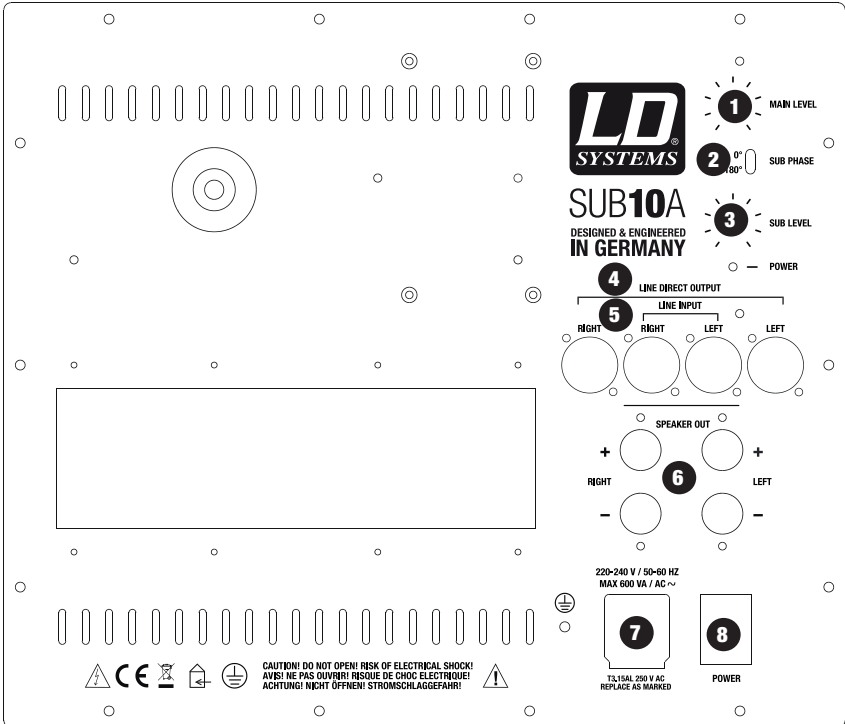
ESPAÑOL

POLSKI

ITALIANO



# PANEL POSTERIOR DEL ALTAVOZ ACTIVO:



ENGLISH

DEUTSCH

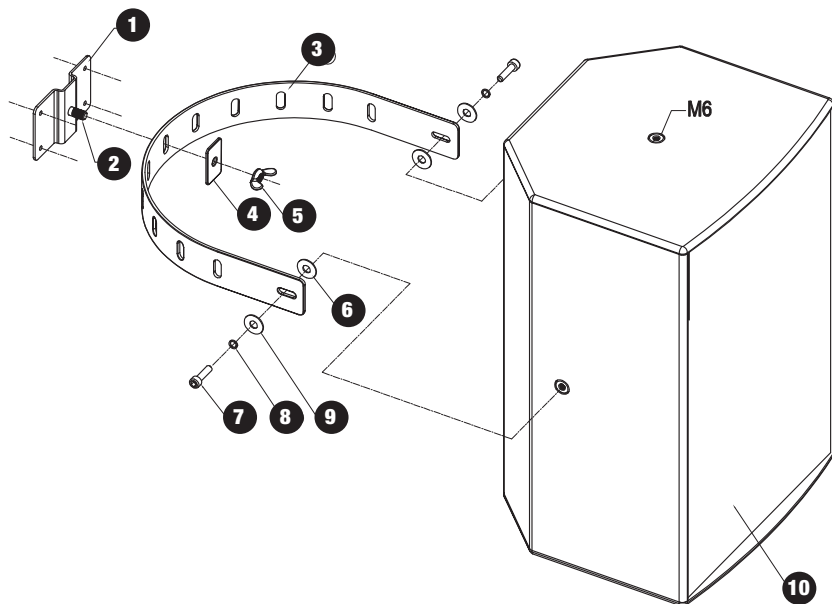
FRANCAIS

ESPAÑOL

POLSKI

ITALIANO

## ILUSTRACIÓN DEL SOPORTE (VISTA DEL DESPIECE):



**1** PANEL DE MONTAJE EN PARED

**2** TORNILLO M6

**3** SOPORTE EN U

**4** ARANDELA

**5** PALOMETA M8

**6** ARANDELA DE GOMA

**7** TORNILLO ALLEN M6 X 16

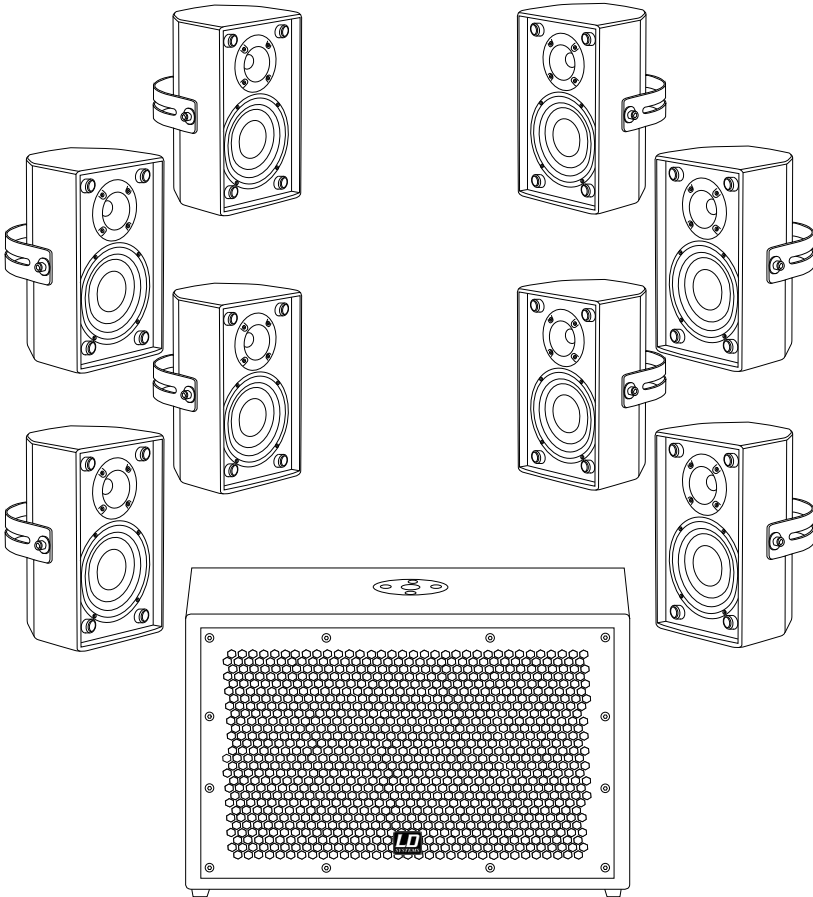
**8** ARANDELA DE PRESIÓN

**9** ARANDELA METÁLICA

**10** BAFLE LD SAT

# COMBINACIONES DE UN SISTEMA PA:

**LDSUB10A + 2 x 4 LDSAT42(W)**



ENGLISH

DEUTSCH

FRANCAIS

ESPAÑOL

POLSKI

ITALIANO

# COMBINACIONES DE UN SISTEMA PA:

ENGLISH

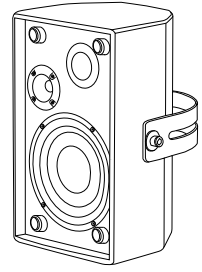
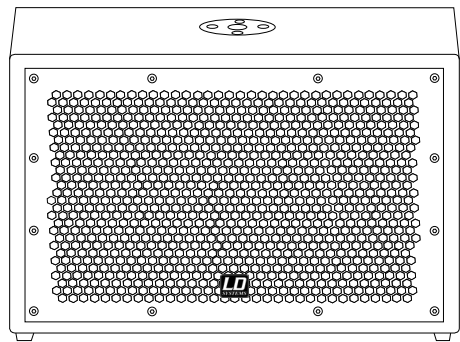
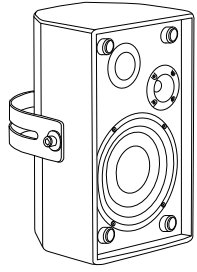
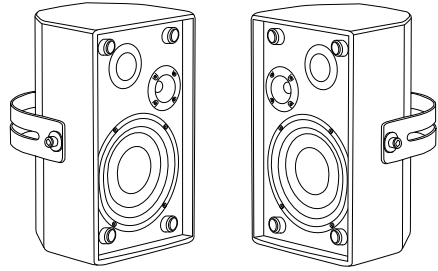
DEUTSCH

FRANCAIS

ESPAÑOL

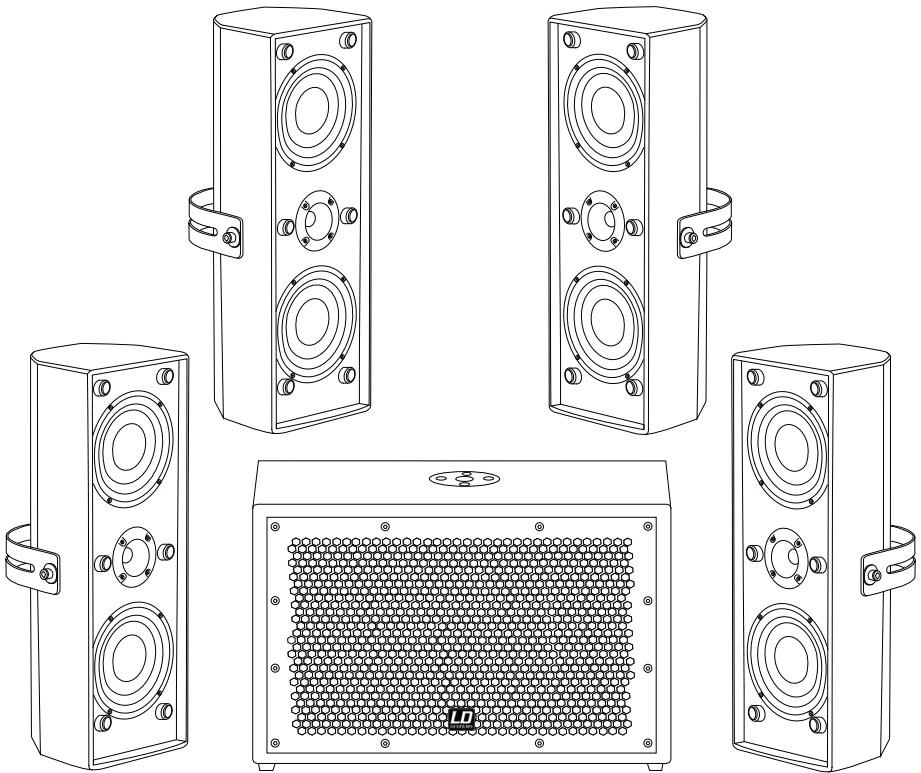
POLSKI

ITALIANO



## COMBINACIONES DE UN SISTEMA PA:

LDSUB10A + 2 x2 LDSAT242(W)



ENGLISH

DEUTSCH

FRANCAIS

ESPAÑOL

POLSKI

ITALIANO



## DECLARACIÓN DEL FABRICANTE:

### GARANTÍA LIMITADA

Esta garantía limitada se aplica a los productos de la marca Adam Hall, LD Systems, LD Premium, Defender, Palmer, Cameo y Eminence.

No afecta a los derechos de garantía legal que asume el vendedor. De hecho, le concede al usuario derechos adicionales ante Adam Hall, independientes de la garantía legal.

Adam Hall garantiza que el producto que ha adquirido de Adam Hall o de cualquier distribuidor autorizado de Adam Hall estará exento de defectos de material y mano de obra, en condiciones normales de uso, durante un período de 2 o 5 años a partir de la fecha de compra.

La garantía limitada entra en vigor el día de la fecha de compra. Para tener derecho a esta garantía será necesario presentar un justificante de compra válido en el que figure la fecha de compra del producto, por ejemplo, la factura o el albarán de entrega. Si el producto que ha adquirido necesitara una reparación durante la vigencia de la garantía limitada, tendrá derecho a obtener los servicios de garantía conforme a los términos y condiciones establecidos en este documento.

Esta garantía limitada se aplica únicamente al comprador original de este producto de Adam Hall y no se puede transferir a terceras personas a las que el comprador haya cedido la propiedad del producto. Durante el período de garantía limitada, Adam Hall se compromete a reparar o sustituir las piezas defectuosas del producto. Todas las piezas o componentes retirados durante la reparación pasarán a ser propiedad de Adam Hall.

En el caso poco probable de que se produzca un fallo recurrente en el producto adquirido, Adam Hall, a su entera discreción, podrá optar por sustituir dicho producto por otro de similares características.

Adam Hall no garantiza el funcionamiento ininterrumpido y sin fallos de este producto. Adam Hall no se hace responsable de los posibles daños ocasionados por no seguir las instrucciones de uso suministradas con el producto Adam Hall.

Esta garantía limitada no se aplica:

- en caso de desgaste normal de los consumibles (baterías, etc.)
- a los productos cuyo número de serie ha sido borrado, o que han quedado dañados y defectuosos debido a un accidente
- en caso de defectos ocasionados por una incorrecta utilización o manipulación, o cualquier otra causa ajena
- en caso de utilización del producto no conforme con los parámetros establecidos en la documentación facilitada con el producto
- en caso de utilización de piezas de repuesto no fabricadas o vendidas por Adam Hall
- si el producto ha sido modificado o reparado por personal no autorizado por Adam Hall

Estos términos y condiciones constituyen el acuerdo de garantía íntegro y exclusivo entre usted y Adam Hall en relación con el producto Adam Hall que acaba de adquirir.

ENGLISH

DEUTSCH

FRANÇAIS

ESPAÑOL

POLSKI

ITALIANO

## LIMITACIÓN DE RESPONSABILIDAD

Si su producto Adam Hall no funciona de acuerdo con las garantías mencionadas arriba, tendrá derecho exclusivamente a la reparación o sustitución del mismo. La responsabilidad máxima de Adam Hall en virtud de los términos de esta garantía está limitada al menor importe que resulte del precio de compra del producto, del coste de la reparación o la sustitución de las piezas que han dejado de funcionar en condiciones normales de uso.

Adam Hall no será responsable de cualquier daño causado por el producto o por el mal funcionamiento del producto, incluidas la pérdida de ganancias, la pérdida de ahorros o cualquier consecuencia derivada de dichas pérdidas. Adam Hall no se hará responsable de ninguna reclamación presentada por un tercero o por el comprador inicial en nombre de un tercero.

Esta limitación de responsabilidad se aplicará con independencia de que se solicite una indemnización por daños y perjuicios, o se presenten reclamaciones por negligencia, contractuales o de cualquier otra índole, y no podrá ser derogada o modificada. Esta limitación de responsabilidad será efectiva incluso en el caso de que el comprador hubiese avisado previamente a Adam Hall o a alguno de sus representantes de la posibilidad de reclamar daños y perjuicios. No obstante, esta limitación de responsabilidad no tendrá efecto en caso de reclamación por daños personales.

Esta garantía limitada le otorga derechos legales específicos. Puede que posea derechos adicionales conforme a la legislación del país o Estado en el que se encuentre. Le recomendamos que consulte la legislación vigente en su país o Estado para conocer el alcance de sus derechos.

## APLICACIÓN DE LA GARANTÍA

Para solicitar asistencia técnica en relación con el producto en garantía, póngase en contacto con Adam Hall o con el distribuidor autorizado donde adquirió el producto.

## ELIMINACIÓN CORRECTA DE ESTE PRODUCTO (DESECHOS ELÉCTRICOS)

(Aplicable en la Unión Europea y en los países europeos que dispongan de un sistema de recogida selectiva)

El símbolo que aparece sobre el producto o en la documentación adjunta indica que, al final de su vida útil, no deberá desecharse con los demás residuos domésticos. Para evitar posibles efectos negativos en el medio ambiente y en la salud humana debidos al vertido incontrolado de desechos, no mezcle este producto con los demás residuos. La recogida selectiva ayuda a su posterior reciclaje y fomenta la reutilización sostenible de los componentes de este equipo.

Si usted es un particular, deberá ponerse en contacto con el distribuidor donde adquirió este producto, o con el ayuntamiento, para informarse sobre el reciclaje adecuado de este equipo.

Si usted es una empresa, deberá ponerse en contacto con su proveedor e informarse sobre los términos y condiciones de su contrato de compra-venta. Este producto no debe mezclarse con otros residuos industriales.

## DECLARACIÓN DEL FABRICANTE:

### DECLARACIÓN SOBRE WEEE

Este producto LD-Systems se ha desarrollado y fabricado con materiales y componentes de alta calidad que se pueden reciclar o reutilizar. Este símbolo indica que los equipos eléctricos y electrónicos deben separarse del resto de residuos comunes al final de su vida útil.

Para desechar este producto, llévelo al punto de recogida municipal o al centro de reciclaje específico para este tipo de equipos. De este modo, contribuirá a proteger el medioambiente.

### PILAS Y ACUMULADORES

Las pilas suministradas o las pilas recargables se pueden reciclar. Para desecharlas, depositelas en un contenedor especial o entréguelas a su proveedor especializado. Para proteger el medioambiente, deseché sólo pilas gastadas.





ENGLISH

DEUTSCH

FRANCAIS

**ESPAÑOL**

POLSKI

ITALIANO



ENGLISH

DEUTSCH

FRANCAIS

ESPAÑOL

POLSKI

ITALIANO

## Dziękujemy za wybór LD Systems!

Zaprojektowaliśmy ten produkt tak, aby działał sprawnie przez wiele lat. LD Systems gwarantuje wysoką jakość produktów swoją marką i wieloma latami doświadczenia jako producent.

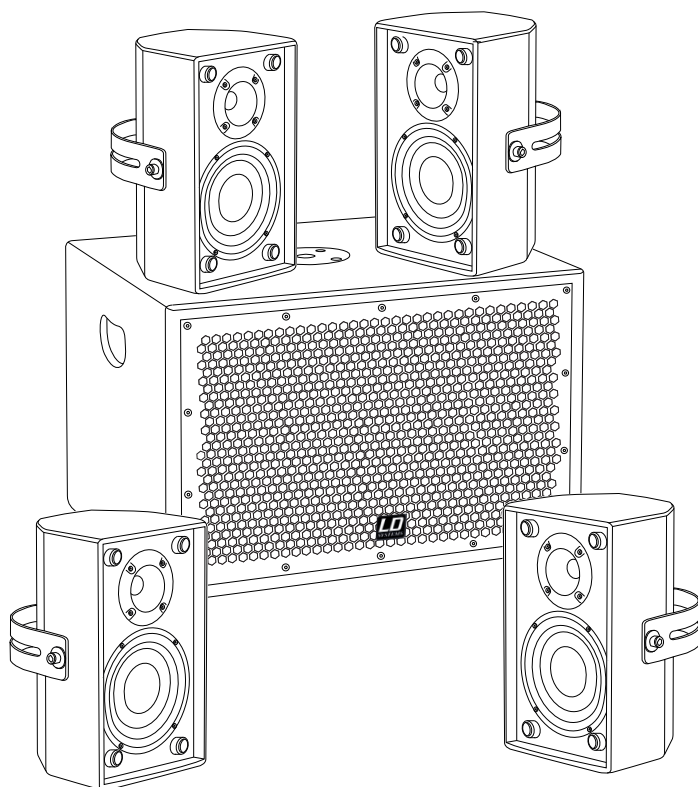
Prosimy o dokładne zapoznanie się z niniejszą instrukcją, ponieważ chcemy, abyś szybko mógł cieszyć się w pełni swoim nowym produktem LD Systems.

Więcej informacji na temat produktów marki LD Systems znajduje się na stronie [WWW.LD-SYSTEMS.COM](http://WWW.LD-SYSTEMS.COM)

# LD **SAT/SUB** SERIES

**INSTALLATIONS SPEAKER** PASSIVE: SAT42 / SAT242 / SAT62 / SAT82 / SUB88

**INSTALLATIONS SPEAKER** ACTIVE: SAT62A / SUB10A / SUB88A



ENGLISH

DEUTSCH

FRANCAIS

ESPAÑOL

POLSKI

ITALIANO

## ŚRODKI OSTROŻNOŚCI:

1. Uważnie przeczytaj poniższe informacje.
2. Przechowuj wszystkie informacje i instrukcje w bezpiecznym miejscu.
3. Postępuj zgodnie z instrukcją obsługi.
4. Przestrzegaj wszystkich ostrzeżeń.
5. Używaj urządzenia tylko zgodnie z jego przeznaczeniem.
6. Do stałego mocowania urządzenia używaj wyłącznie odpowiednich statywów i/lub uchwyty. Sprawdź, czy uchwyty ścienna są właściwie zamocowane.  
Upewnij się, że urządzenie jest bezpiecznie zamocowane i nie występuje ryzyko jego upadku.
8. Nie ustawiaj urządzenia w pobliżu grzejników, zasobników ciepła, piekarników i innych źródeł ciepła. Upewnij się, że urządzenie jest zamontowane w sposób zapewniający wystarczające chłodzenie i eliminujący ryzyko przegrzania.
9. Nie umieszczaj w pobliżu urządzenia źródeł zapłonu, takich jak palące się świece.
10. Nie zakrywaj otworów wentylacyjnych.
11. Nie używaj urządzenia znajdującego się w pobliżu wody.
12. Upewnij się, że rozbryzgi lub krople wody nie dostają się do wnętrza urządzenia. Nie umieszczaj przedmiotów wypełnionych płynami, jak wazonów lub naczyń, na obudowie urządzenia.
13. Upewnij się, że żadne przedmioty nie mogą wpaść do wnętrza urządzenia.
14. Używaj urządzenia wyłącznie z akcesoriami przeznaczonymi do tego celu przez producenta.
15. UWAGA: Niniejsze urządzenie należy do I klasy ochronności i musi być przyłączane do gniazda wyposażonego w obwód uziemiający. Nigdy nie omijaj obwodu uziemiającego w dostarczonym przewodzie zasilającym. Jeśli wtyk dostarczonego przewodu zasilającego nie pasuje do gniazda, zasięgnij pomocy elektryka.
16. Unikaj stawania na przewodzie zasilającym. Zapobiegaj ścisnieniu przewodu zasilającego, zwłaszcza w okolicach gniazda zasilania w urządzeniu i ściennego gniazda zasilania.
17. Aby zapobiec uszkodzeniu urządzenia i wypadkom spowodowanym, między innymi, potknięciem, sprawdzaj wszystkie połączenia urządzenia po jego podłączeniu.
18. Przy podłączaniu urządzenia upewnij się, że gniazdo zasilania jest łatwo dostępne.
19. Aby całkowicie odłączyć urządzenie od zasilania, należy wyciągnąć wtyk z gniazda zasilania.
20. Jeżeli urządzenie jest wyposażone w złącze zasilania Volex, właściwy wtyk urządzenia Volex musi zostać odblokowany przed rozłączeniem. Oznacza to także, że pociągnięcie za przewód zasilający może spowodować przesunięcie urządzenia, a w konsekwencji uszkodzenia ciała i mienia. Dołóż wszelkich starań w celu odpowiedniego poprowadzenia przewodów zasilających.
21. Odłącz urządzenie od gniazda zasilania, jeśli urządzenie przez dłuższy okres będzie wyłączone z eksploatacji lub jeśli istnieje ryzyko uderzenia pioruna.
22. Upewnij się, że podczas transportu nie ma ryzyka upadku urządzenia, co mogłoby spowodować uszkodzenia ciała i/lub mienia.
23. Jeśli urządzenie nie działa prawidłowo, zostało narażone na działanie płynów, przedmiot znalazł się we wnętrzu obudowy lub nastąpiło innego rodzaju uszkodzenie urządzenia, niezwłocznie wyłącz urządzenie i odłącz od źródła zasilania. Urządzenie może być naprawiane wyłącznie przez autoryzowanych specjalistów.
24. Czyść urządzenie wyłącznie za pomocą suchej szmatki.
25. Przestrzegaj wszystkich krajowych przepisów związanych z utylizacją odpadów. Podczas utylizacji oddziel plastik od papieru/tektury.
26. Plastikowe torby należy przechowywać w miejscu niedostępnym dla dzieci.

**UWAGA:**


Aby zmniejszyć zagrożenie porażeniem elektrycznym, nie zdejmuj pokrywy (lub tylnej części obudowy). Wewnątrz nie znajdują się części, które użytkownik mógłby samodzielnie naprawić. Pozostaw obsługę serwisową wykwalifikowanym fachowcom.



Symbol błyskawicy ze strzałką wpisany w trójkąt ostrzega użytkownika przed niebezpiecznym napięciem elektrycznym wewnątrz obudowy urządzenia zdolnym zagrozić życiu i zdrowiu ludzi.



Znak wykrzyknika wewnątrz trójkąta równobocznego zwraca uwagę użytkownika na umieszczone w dokumentach dostarczonych wraz z produktem instrukcje zawierające ważne wskazówki odnośnie obsługi lub konserwacji (serwisu) urządzenia.

**OSTRZEŻENIE! WYSOKI POZIOM GŁOŚNOŚCI!**

Opisywany system transmisyjny jest przeznaczony do zastosowań profesjonalnych. W związku z tym komercyjne użytkowanie tego sprzętu podlega zasadom i przepisom bezpieczeństwa, właściwym dla danego sektora działalności, w tym regulacjom określonym przez towarzystwa ubezpieczeniowe. Przepisy nakładają na firmę Adam Hall, jako na wytwórcę, obowiązek poinformowania użytkownika o istnieniu potencjalnych zagrożeń dla zdrowia.

Głośniki mogą z łatwością wygenerować wystarczający poziom ciśnienia akustycznego (SPL), by trwale uszkodzić słuch artystów, członków ekipy produkcyjnej oraz publiczności. Należy podjąć stosowne środki bezpieczeństwa, aby uniknąć długotrwałego działania ciśnienia akustycznego, przekraczającego poziom 90 dB.

## OBSŁUGA URZĄDZENIA:

### KOLUMNA PASYWNA

#### LD SAT42(W) / SAT242(W)

Do wyjścia wzmacniacza o impedancji 4 omów można podłączyć równolegle do 4 kolumn SAT42(W) (do 2 kolumn SAT242(W)). Korzystając ze złącz na tylnej ścianie urządzenia, można zapętlić sygnał i przesłać go do kolejnej kolumny SAT42(W) (SAT242(W)).

#### LD SAT62(W)

Do wyjścia wzmacniacza o impedancji 4 omów można podłączyć równolegle do 4 kolumn SAT62(W). Korzystając ze złącz na tylnej ścianie urządzenia, można zapętlić sygnał i przesłać go do kolejnej kolumny SAT62(W).

#### LD SAT82(W)

Do wyjścia wzmacniacza o impedancji 4 omów można podłączyć równolegle 2 kolumny SAT82(W). Korzystając ze złącz na tylnej ścianie urządzenia, można zapętlić sygnał i przesłać go do kolejnej kolumny SAT82(W).

#### LD SUB88 w połączeniu z kolumnami LD SAT 42/242/62(W)

Podłącz przewody ze wzmacniacza do wejść subwoofera oznaczonych Input A i B. Następnie podłącz kolumny SAT42/242(W) lub SAT62(W) do wyjść oznaczonych Output A i B. W ten sposób można podłączyć na wyjściach o impedancji 4 omów do 4 kolumn SAT42(W) / SAT62(W) lub do 2 kolumn SAT242(W). Zaleca się stosowanie przewodów głośnikowych o przekroju co najmniej 2 x 1,5 mm<sup>2</sup>, takich jak Adam Hall KLS 215.

### KOLUMNA AKTYWNA

#### LD SAT62A

##### MONTAŻ / INSTALACJA

Zaleca się włączanie urządzenia (ON) na końcu i wyłączanie (OFF) na początku, aby zapobiec powstawaniu szumów spowodowanych przez aktywne urządzenia, takie jak mikser itp. Dodatkowo podłączone kolumny LD SAT62A powinny być włączane (ON) od pierwszej do ostatniej i wyłączane w odwrotnej kolejności. W trybie automatycznym AUTO źródło dźwięku powinno zostać wyłączone dopiero po upływie 10 minut od ostatniego przesłanego sygnału dźwiękowego, aby mieć pewność, że kolumny LD SAT62A przeszły w tryb czuwania.

##### PODŁĄCZENIA I OBSŁUGA

Urządzenia LD SAT62A powinno być wyłączone przed podłączeniem. Do wykonania połączeń można zastosować przewody typu jack 6,3 mm (zbalansowane trójbiegunowe / niezbalansowane dwubiegunowe) lub trzypinowe przewody typu XLR. Po podłączeniu przewodów i przekręceniu regulatora poziomu sygnału MAIN LEVEL na urządzeniu źródłowym w lewo do oporu można włączyć urządzenie źródłowe. Następnie można włączyć urządzenie LD SAT62A (patrz powyżej). Przesuwaj główny regulator poziomu sygnału MAIN LEVEL w prawo do momentu uzyskaniażądanego poziomu. Czynność powtórz w przypadku wykorzystania dodatkowych urządzeń LD SAT62A. Gniazda i elementy obsługi urządzeń LD SAT62A zostały przedstawione na stronie zawierającej opis **tylnej ściany kolumn aktywnych**.

##### ZAPĘTLANIE SYGNAŁU

Urządzenia LD SAT62A umożliwiają zapętlanie sygnału do dodatkowych urządzeń za pośrednictwem trzypinowych przewodów XLR. Nie ma potrzeby podłączania każdego urządzenia bezpośrednio do źródła dźwięku. Upewnij się, że stosujesz bezpiecznie zamontowane przewody XLR dobrej jakości.

## SPECYFIKACJE:

	<b>LD SAT42(W)</b>	<b>LD SAT242(W)</b>	<b>LD SAT62(W)</b>	<b>LD SAT82(W)</b>	<b>LD SAT62A</b>
Product	Installation speaker	Installation speaker	Installation speaker	Installation speaker	Installation speaker
Type	passive	passive	passive	passive	active/bass reflex
Loudspeaker	4" woofer & 1" silkdome tweeter	2 x 4" woofer & 1" silkdome tweeter	6.5" woofer & 1" silkdome tweeter	8" woofer & 1" horn tweeter	6.5" woofer & 1" silkdome tweeter
Amplifier	-	-	-	-	Class A/B
Dispersion	60° x 60°	60° x 60°	60° x 60°	60° x 60°	60° x 60°
Load capacity (RMS / max.)	60/100W	100/180W	80/130W	120/200W	50W
Frequency range	75Hz-20.000Hz	75Hz-20.000Hz	55Hz-20.000Hz	50Hz-20.000Hz	55Hz-20.000Hz
SPL	85 dB	88 dB	89 dB	93 dB	89 dB
Max. SPL	103 dB	108 dB	108 dB	114 dB	108 dB
Protection circuit	-	-	-	-	excess current
Line in	-	-	-	-	sym. XLR / 6.3 mm Jack
Line out	-	-	-	-	sym. XLR
Power Input	-	-	-	-	220-240 V AC
Impedance	16ohms	8ohms	16ohms	8ohms	-
Terminals	Clamp-type connection	Clamp-type connection	Clamp-type connection	Clamp-type connection	-
Cabinet material	12 mm MDF	12 mm MDF	12 mm MDF	15 mm MDF	12 mm MDF
Cabinet surface	textured paint	textured paint	textured paint	textured paint	textured paint
Dimension (WXHXD)	140 x 230 x 125 mm	140 x 378 x 135 mm	200 x 320 x 200 mm	247 x 410 x 243 mm	200 x 320 x 205 mm
Weight	2.7 kg	4.1 kg	4.1 kg	8.5 kg	6 kg
Accessories	4 M6 rigging/mounting points, mounting brackets	4 M6 rigging/mounting points, mounting brackets	4 M6 rigging/mounting points, mounting brackets	4 M6 rigging/mounting points, mounting brackets	4 M6 rigging/mounting points, mounting brackets

ENGLISH

DEUTSCH

FRANCAIS

ESPAÑOL

POLSKI

ITALIANO

## PANEL TYLNY KOLUMNA AKTYWNA:

### LD SAT62A

#### 1 MAIN LEVEL

Regulacja poziomu głośności kolumny

#### 2 POWER MODE

Przełączanie pomiędzy trybem stale włączonym (ON) lub trybem czuwania (AUTO). W pozycji AUTO wzmacniacz uruchamia się po otrzymaniu sygnału na wejściu. Po kilku minutach braku sygnału wzmacniacz ponownie przechodzi w tryb czuwania.

#### 3 DIODA POWER

Świeci światłem CZERWONYM, jeśli urządzenie pracuje w trybie czuwania (STANDBY). Świeci światłem zielonym, gdy urządzenie jest włączone (ON).

#### 4 WEJŚCIE XLR / jack 6,3 mm

Zbalansowane wejście liniowe dla złączy XLR i jack 6,3 mm.

#### 5 BEZPOŚREDNIE WYJŚCIE LINIOWE

Bezpośrednie, zbalansowane wyjście liniowe dla złączy XLR. Służy do przesyłania sygnału do kolejnych urządzeń LD SAT62A / LD SAT82A.

#### 6 WŁĄCZNIK ZASILANIA

PRZEŁĄCZNIK ZASILANIA

#### 7 GNIAZDO ZASILANIA

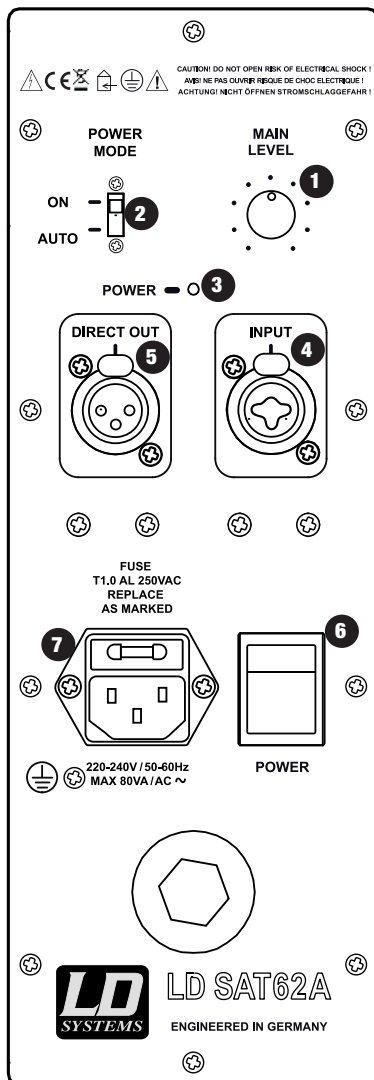
Gniazdo zasilania 240 V (złącze IEC) i gniazdo bezpiecznika. Bezpiecznik należy wymieniać tylko po odłączeniu źródła zasilania i zastępować go bezpiecznikiem tego samego rodzaju (T1A 250 V AC). Jeżeli bezpiecznik przepali się ponownie, skontaktuj się z autoryzowanym punktem serwisowym.

#### 8 DIODA PRZECIĄŻENIA

Zapala się w przypadku przeciążenia urządzenia. Niezwłocznie zmniejsz poziom głośności.



# PANEL TYLNY KOLUMNA AKTYWNA:



ENGLISH

DEUTSCH

FRANCAIS

ESPAÑOL

POLSKI

ITALIANO



## OBSŁUGA URZĄDZENIA:

### LD SUB88A

#### MONTAŻ / INSTALACJA

Aktywny system LD SUB88A może zostać zamontowany na podłożu lub innej podstawie o odpowiedniej wytrzymałości. Zaleca się montaż urządzenia LD SUB88A na wysokości nie przekraczającej 150 cm (ryzyko upadku). Urządzenie LD SUB88A można zamontować pionowo lub poziomo.

Aby zapobiec przegrzaniu, zachowaj wystarczającą odległość (> 20 cm) pomiędzy wzmacniaczem a ścianami, obudowami itp. Jest to szczególnie istotne w przypadku montażu na półce lub w obudowie. Umożliwienie odpowiedniej wentylacji wzmacniacza jest niezwykle istotne. Zwróć uwagę na właściwe podłączenie okablowania zasilającego oraz sygnałowego do wejść. Stosuj wyłącznie nieuszkodzone przewody odpowiedniej długości i całkowicie rozwinięte szpule kablowe. Sprawdź okablowanie pod kątem ryzyka potknięcia itp., aby zapobiec wypadkom i uszkodzeniu sprzętu.

Nie przeprowadzaj montażu w pobliżu krawędzi takich jak krawędź podstawy.

#### PODŁĄCZENIA I OBSŁUGA

Urządzenie LD SUB88A powinno być wyłączone przed podłączeniem. Do wykonania połączeń można zastosować przewody typu jack 6,3 mm (zbalansowane trójbiegunowe / niezbalansowane dwubiegunowe) lub trzypinowe przewody typu XLR. Po podłączeniu wszystkich przewodów i przekręceniu regulatora poziomu sygnału MAIN LEVEL w lewo można włączyć urządzenie źródłowe. Następnie można włączyć urządzenie LD SUB88A. Przesuwaj główny regulator poziomu sygnału MAIN LEVEL w prawo do momentu uzyskaniażądanego poziomu. Regulator zwrotnicy subwoofera SUB CROSSOVER pozwala na ograniczenie zakresu częstotliwości przesyłanych z urządzenia LD SUB88A do kolumn. W razie potrzeby można wykorzystać przełącznik fazy subwoofera PHASE w połączeniu z kolumnami. Wykorzystaj pozycję przełącznika dającą najlepsze brzmienie. Gniazda i elementy obsługi urządzenia LD SUB88A zostały przedstawione na stronie zawierającej opis **tylnej ściany kolumn aktywnych**. Zaleca się włączanie urządzenia (ON) na końcu i wyłączenie (OFF) na początku, aby zapobiec powstawaniu szumów spowodowanych przez aktywne urządzenia, takie jak mikser itp.

### LD SUB10A

LD SUB10A jest niezwykle kompaktowym, 10" aktywnym subwooferem o dużej mocy. Dzięki zintegrowanemu 3-kanałowemu wzmacniaczowi (3x120 W RMS) ten posiadający wiele funkcji subwoofer może zostać wykorzystany jako dodatkowy głośnik niskotonowy z pasywnymi kolumnami pełnozakresowymi, takimi jak Stinger 8" lub Stinger 10". Może też być używany w połączeniu z pasywnymi głośnikami z serii LD SAT.

#### MONTAŻ/INSTALACJA

Głośnik niskotonowy LD SUB10A ze zintegrowanym wzmacniaczem może być umieszczony zarówno na ziemi, jak i zamontowany na ścianie za pomocą uchwytu o odpowiedniej wytrzymałości. Zaleca się, aby nie umieszczać głośnika LD SUB10A na wysokości przekraczającej 150 cm (ryzyko niedostatecznej wytrzymałości mocowania). Aby zapobiec przegrzaniu, zachowaj wystarczającą odległość (> 20 cm) pomiędzy wzmacniaczem a ścianami, obudowami itp. Zapewnienie odpowiedniej wentylacji jest istotne, zwłaszcza gdy głośnik umieszczony jest na półce lub np. w barze. Zwróć uwagę na staranne podłączenie okablowania zasilającego oraz wejściowego i wyjściowego. Stosuj wyłącznie nieuszkodzone przewody odpowiedniej długości i całkowicie rozwinięte szpule kablowe. Sprawdź okablowanie pod kątem ryzyka potknięcia itp., aby zapobiec wypadkom i uszkodzeniu sprzętu. Nie przeprowadzaj montażu w pobliżu krawędzi, takich jak krawędź podstawy.

## OBSŁUGA URZĄDZENIA / SPECYFIKACJE:

### PODŁĄCZANIE

Przed połączeniem z innymi urządzeniami upewnij się, że głośnik LD SUB10A jest WYŁĄCZONY. Po podłączeniu wszystkich przewodów i przekręceniu regulatora poziomu sygnału MAIN LEVEL można włączyć urządzenie źródłowe. Następnie można włączyć urządzenie LD SUB10A. Obracaj główny regulator poziomu sygnału MAIN LEVEL zgodnie z kierunkiem wskazówek zegara do momentu uzyskaniażądanego poziomu głośności.

	LD SUB88	LD SUB88A	LD SUB10A
Product	Installation speaker	Installation speaker	Installation speaker
Type	passive	active, bandpass	active, bass reflex
Loudspeaker	2x8" woofer	2x8" woofer	10" woofer
Amplifier	-	Class A/B	Class A/B
Load capacity (RMS / max.)	2 x 100/180W	150W	3 x 120W
Frequency range	40Hz to 120Hz	40Hz-120Hz	40Hz-120Hz
SPL	92 dB	92 dB	97 dB
Max. SPL	115dB	115 dB	118 dB
Protection circuit	-	excess current	Short circuit, Over current, Clip Limiter
Line in	-	sym. XLR / 6.3 mm Jack	-sym. XLR / 6.3 mm Jack
Line out	-	-	binding post-
Power Input	-	220-240 V AC	220-240 VAC
Impedance	2 x 8ohms	-	-
Terminals	Clamp-type connection	-	-
Cabinet material	15 mm MDF	15 mm MDF	15 mm MDF
Cabinet surface	textured paint	textured paint	textured paint
Dimension (WxHxD)	600 x 250 x 350 mm	600 x 250 x 350 mm	505 x 345 x 425 mm
Weight	11 kg	4.1 kg	21 kg
Accessories	-	-	Ergonomic milled handles, Threaded flange (M20)

ENGLISH

DEUTSCH

FRANCAIS

ESPAÑOL

POLSKI

ITALIANO

## PANEL TYLNY KOLUMNA AKTYWNA:

### LD SUB88A

#### 1 DIODY POWER, SIGNAL, LIMIT DIODA POWER

Świecą światłem zielonym, gdy urządzenie jest włączone (ON).

#### DIODA SIGNAL

Świeci światłem zielonym, gdy urządzenie odbiera sygnał audio.

#### DIODA LIMIT

Świeci, gdy kolumna pracuje w granicznym zakresie. Krótkotrwałe błyski diody nie powodują niebezpieczeństwa. Jeżeli dioda zapala się na dłuższy okres lub świeci ciągle (= przesterowanie urządzenia), zmniejsz poziom głośności podłączonego źródła dźwięku lub kolumny aktywnej. Nieprzestrzeganie tego zalecenia może spowodować uszkodzenie urządzenia i emitowanie nieprzyjemnego, przesterowanego dźwięku.

#### 2 SUB CROSSOVER

Regulowany filtr dolnoprzepustowy 80 – 200 Hz. Reguluje zakres częstotliwości przesyłanych do podłączonych kolumn.

#### 3 SUB LEVEL

Reguluje poziom głośności aktywnego subwoofera.

#### 4 WEJŚCIE XLR / jack 6,3 mm

Zbalansowane wejście liniowe dla złącza XLR i jack 6,3 mm.

#### 5 SUB PHASE

Odwroćenie fazy subwoofera (0°/180°), o ile jest to konieczne.

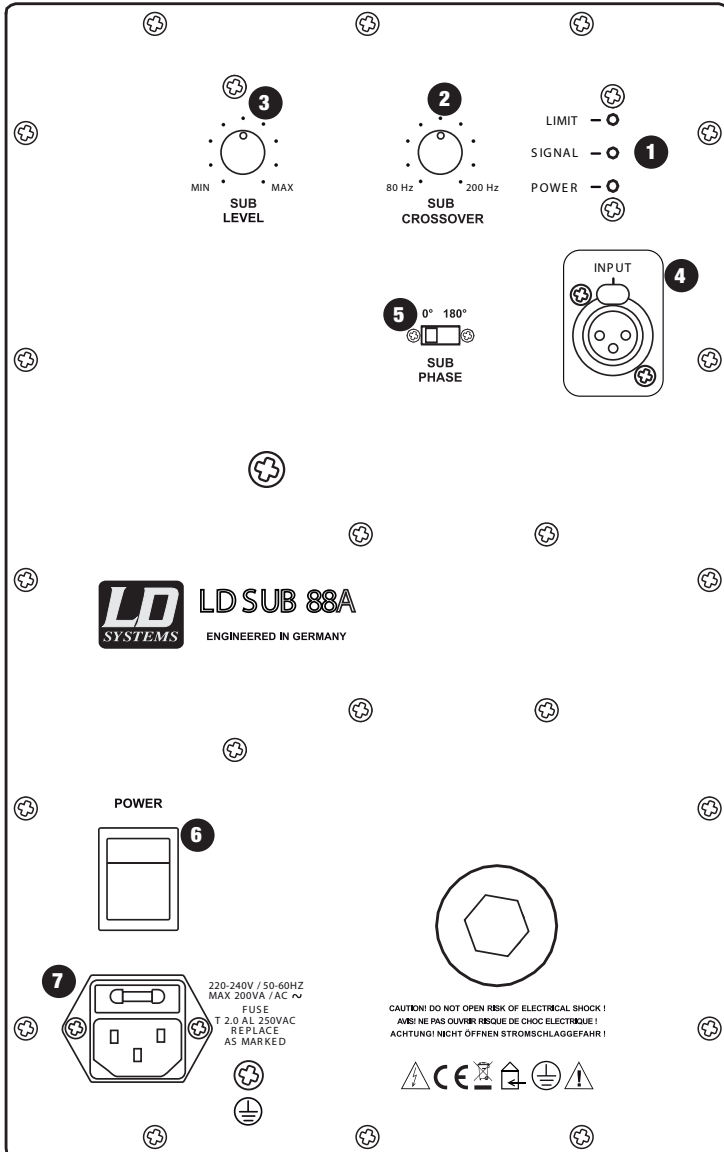
#### 6 WŁĄCZNIK ZASILANIA

PRZEŁĄCZNIK ZASILANIA Włączaj podłączone urządzenia przed włączeniem urządzenia LD SUB88A i wyłączaj je po jego wyłączeniu.

#### 7 GNIAZDO ZASILANIA

Gniazdo zasilania 240 V (złącze IEC) i gniazdo bezpiecznika. Bezpiecznik należy wymieniać tylko po odłączeniu źródła zasilania i zastępować go bezpiecznikiem tego samego rodzaju (T1A 250 V AC). Jeżeli bezpiecznik przepali się ponownie, skontaktuj się z autoryzowanym punktem serwisowym.

# PANEL TYLNY KOLUMNA AKTYWNA:



ENGLISH

DEUTSCH

FRANCAIS

ESPAÑOL

POLSKI

ITALIANO

## PANEL TYLNY KOLUMNA AKTYWNA:

### LD SUB10A

#### 1 MAIN LEVEL

Głośność układu (dla subwoofera oraz połączonych z nim głośników pasywnych).

#### 2 SUB PHASE

Odwroćcie fazy subwoofera (0°/180°).

#### 3 SUB LEVEL

Poziom głośności subwoofera (standardowe położenie: godz. 12).

#### 4 BEZPOŚREDNIE WYJŚCIE LINIOWE (K. LEWY/K. PRAWY)

Zbalansowane wyjście liniowe XLR (k. lewy/k. prawy). Zapewnia taki sam sygnał jak sygnał odbierany.

#### 5 WEJŚCIE LINIOWE

Zbalansowane wejście liniowe dla wtyków XLR i jack 6,3 mm.

#### 6 WYJŚCIE GŁOŚNIKOWE (K. LEWY/K. PRAWY)

Przykłady:

2x4 LDSAT42(W) lub

2x4 LDSAT62(W), lub

2x2 LDSAT242(W)

#### 7 GNIAZDO ELEKTRYCZNE

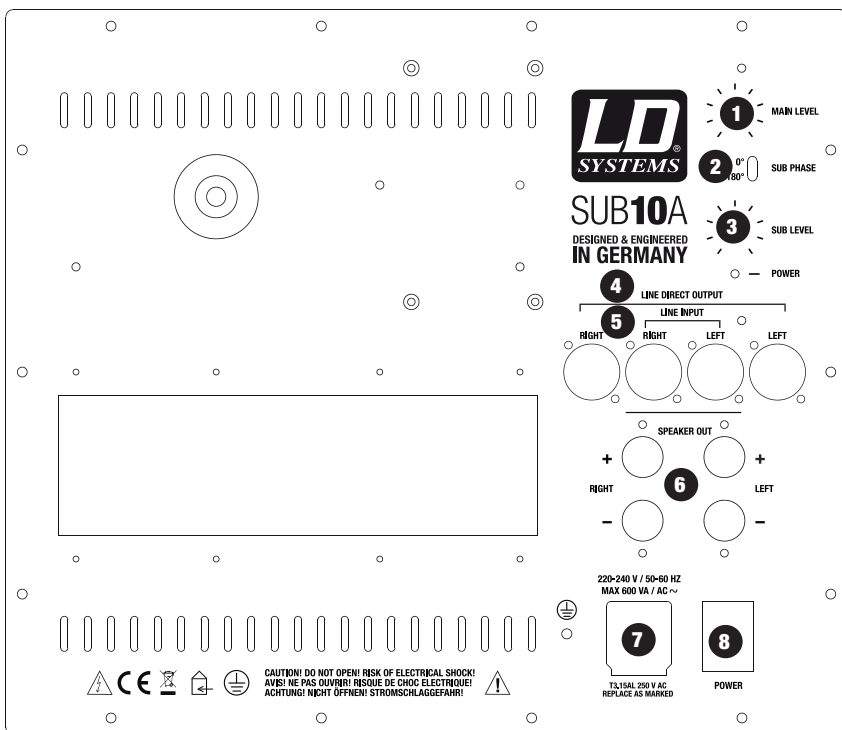
GNIAZDO ELEKTRYCZNE 240 V (gniazdo IEC) i gniazdo bezpiecznika. Bezpiecznik należy wymieniać tylko w przypadku zerwania połączenia w bezpieczniku.

Bezpiecznik może zostać wymieniony wyłącznie na bezpiecznik tego samego typu i o identycznej wartości znamionowej. Jeżeli bezpiecznik przepali się ponownie, skontaktuj się z autoryzowanym punktem serwisowym.

#### 8 WŁĄCZNIK ZASILANIA

PRZEŁĄCZNIK ZASILANIA Zaleca się włączanie głośnika na końcu (włącznik z pozycji ON) i wyłączenie na początku (włącznik w pozycji OFF), aby zapobiec powstawaniu szumów.

# PANEL TYLNY KOLUMNA AKTYWNA:



ENGLISH

DEUTSCH

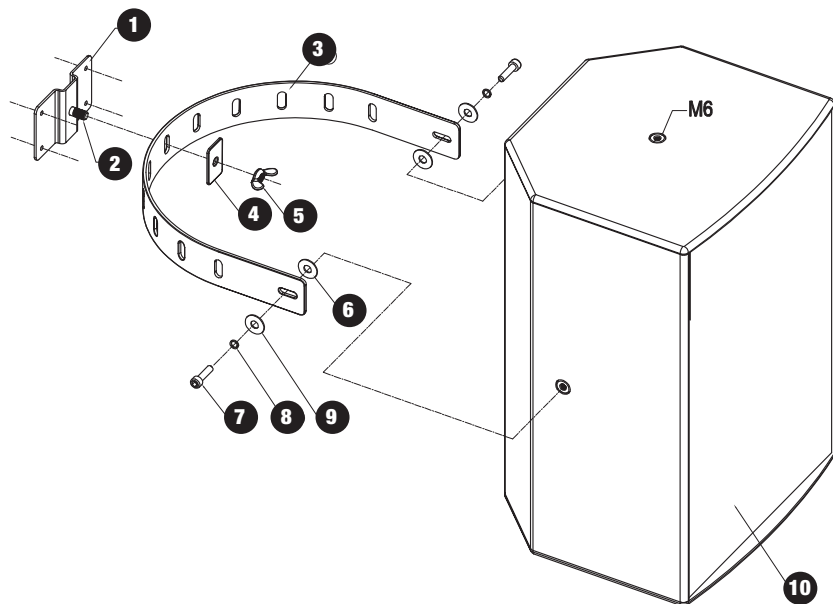
FRANCAIS

ESPAÑOL

POLSKI

ITALIANO

## RYSUNEK UCHWYTU (POKAZUJĄCY WZAJEMNE POŁOŻENIE CZĘŚCI):



**1** PANEL ŚCIENNY

**2** ŚRUBA M6

**3** UCHWYT W Kształcie litery „U”

**4** PODKŁADKA

**5** NAKRĘTKA MOTYŁKOWA M8

**6** PODKŁADKA GUMOWA

**7** ŚRUBA IMBUSOWA M6 X 16

**8** PODKŁADKA SPRĘŻYSTA

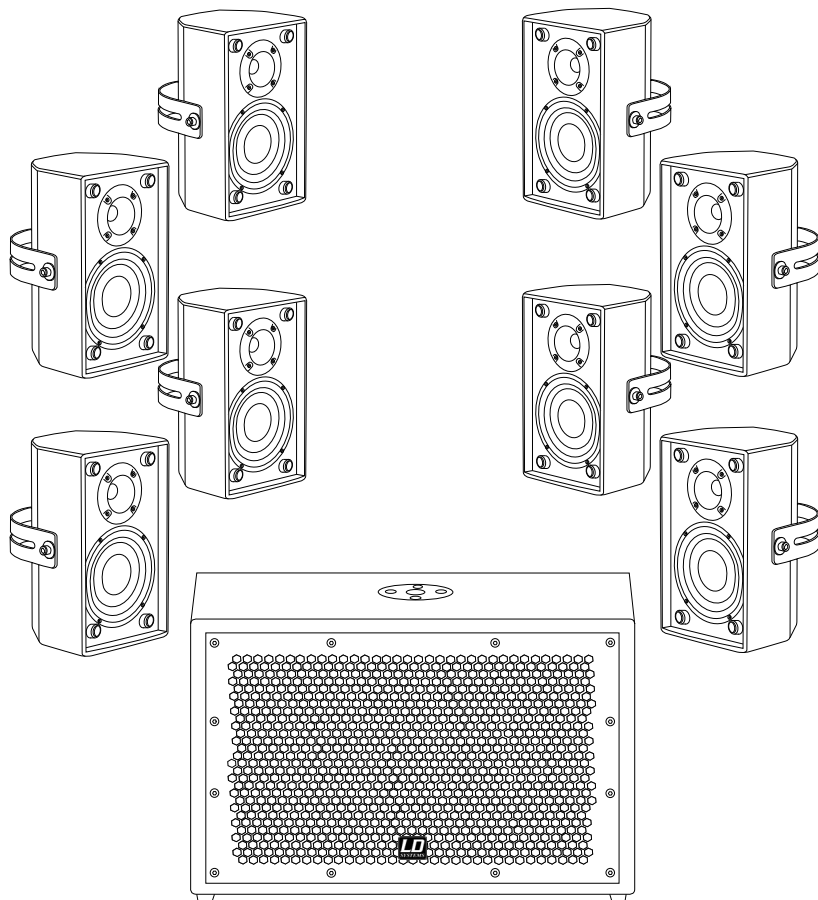
**9** PODKŁADKA METALOWAR

**10** OBUDOWA GŁOŚNIKA LD SAT



**MOŽLIWE OPCJE INSTALACJI:**

**LDSUB10A + 2 x 4 LDSAT42(W)**



ENGLISH

DEUTSCH

FRANCAIS

ESPAÑOL

POLSKI

ITALIANO

## MOŻLIWE OPCJE INSTALACJI:

ENGLISH

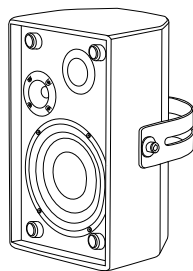
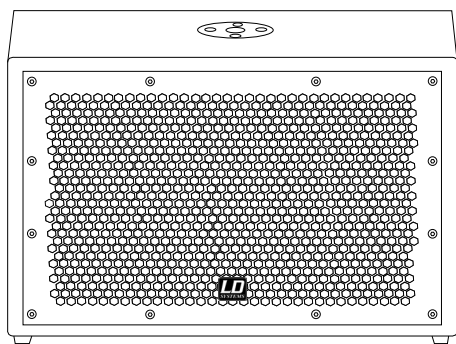
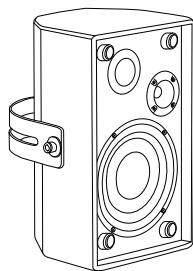
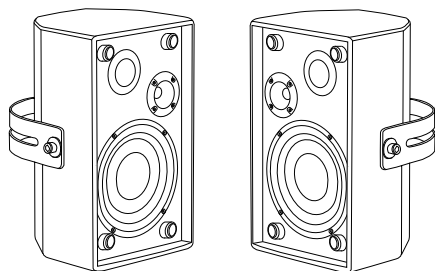
DEUTSCH

FRANCAIS

ESPAÑOL

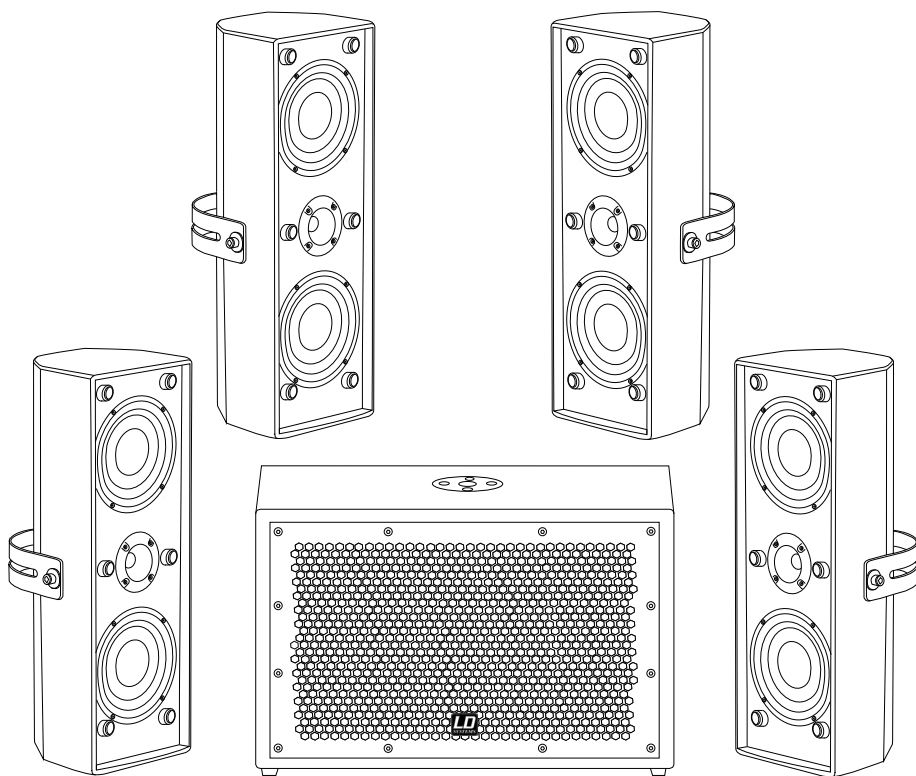
POLSKI

ITALIANO



# MOŽLIWE OPCJE INSTALACJI:

LDSUB10A + 2 x2 LDSAT242(W)



ENGLISH

DEUTSCH

FRANCAIS

ESPAÑOL

POLSKI

ITALIANO

## DEKLARACJE PRODUCENTA:

### OGRANICZONA GWARANCJA

Ta Ograniczona Gwarancja dotyczy produktów marek Adam Hall, LD Systems, LD Premium, Defender, Palmer, Cameo oraz Eminence.

Niniejsza gwarancja nie wpływa na prawa gwarancyjne wynikające z przepisów lokalnych. Jest to dodatkowa, niezależna gwarancja ze strony firmy Adam Hall.

Adam Hall gwarantuje, że zakupiony produkt Adam Hall zakupiony od firmy Adam Hall lub autoryzowanego przedstawiciela Adam Hall, pozostanie wolny od wad w materiałach i wykonaniu, przy normalnym użytkowaniu przez okres 2 lub 3 lat od daty zakupu.

Okres gwarancyjny rozpoczyna się z dniem zakupu. Aby móc skorzystać z serwisu gwarancyjnego, kupujący zobowiązany jest do przedstawienia dowodu zakupu opatrzonego datą. Dokumenty takie jak paragon, faktura lub list przewozowy mogą być dowodem daty zakupu. Jeśli produkt wymienionych powyżej marek wymaga naprawy w czasie trwania okresu gwarancyjnego, nabywcy przysługują gwarancyjne usługi serwisowe zgodne z warunkami przedstawionymi w tym dokumencie.

Niniejsza gwarancja obejmuje wyłącznie oryginalnego nabywcę produktu marki Adam Hall i nie można jej przenieść na inną osobę, która przejmie własność produktu od oryginalnego nabywcy. Podczas okresu gwarancyjnego, Adam Hall zobowiązuje się do naprawy lub wymiany wadliwych komponentów produktu. Wszystkie części i elementy wymontowane z urządzenia podczas działań serwisowych stają się własnością Adam Hall.

W mało prawdopodobnym przypadku powtarzania się wady produktu Adam Hall, Adam Hall może zdecydować o dostarczeniu urządzenia zamiennego wybranego przez Adam Hall, które charakteryzuje się co najmniej takimi samymi parametrami jak reklamowany produkt.

Adam Hall nie gwarantuje, że eksploatacja produktu będzie przebiegać bezbłędnie lub nieprzerwanie.

Adam Hall nie ponosi odpowiedzialności za uszkodzenia wynikające z niezastosowania się użytkownika do instrukcji dołączonej do produktu Adam Hall.

Ta Ograniczona Gwarancja nie dotyczy,

- części podlegających normalnemu zużyciu (np. akumulator)
- produktów, których numer seryjny został usunięty, uszkodzony lub pozbawiony czytelności wyniku wypadku
- przypadków nieprawidłowego użycia, celowego uszkodzenia lub powodów zewnętrznych
- przekroczenia dopuszczalnych parametrów pracy określonych w dokumentacji dostarczonej z produktem
- użycia części zamiennych nie pochodzących od Adam Hall
- przez modyfikację lub serwis nieprzeprowadzony przez Adam Hall

Te warunki określają kompletną i wyłączną umowę gwarancyjną między Nabywcą i firmą Adam Hall odnośnie zakupionego produktu markowego Adam Hall.

## OGRANICZENIE ODPOWIEDZIALNOŚCI

Jeśli Twój produkt Adam Hall nie działa prawidłowo, wskazanym i wyłącznym rozwiązaniem jest naprawa lub wymiana. Maksymalna odpowiedzialność firmy Adam Hall w związku z niniejszą gwarancją ogranicza się maksymalnie do kwoty równej cenie zakupu produktu lub kosztom naprawy lub wymiany komponentów sprzętowych, które uległy uszkodzeniu lub nie działają prawidłowo podczas normalnego użytkowania. Adam Hall nie odpowiada za jakiegokolwiek szkody spowodowane przez produkt lub awarię produktu, włącznie z utratą zysków lub oszczędności, szczególnych, przypadkowych lub powiązanych szkód. Adam Hall nie ponosi odpowiedzialności za zobowiązania użytkownika wobec stron trzecich lub zobowiązania stron trzecich wobec użytkownika.

Ograniczenie odpowiedzialności ma zastosowanie w przypadku, gdy występują roszczenia odszkodowawcze lub składane są reklamacje na podstawie niniejszej gwarancji lub jako roszczenie z tytułu czynu niedozwolonego (włączając w to zaniedbanie oraz ścisłą odpowiedzialność za produkt), roszczenie z umowy lub jakiegokolwiek inne roszczenie. Żadna osoba nie może uchylić lub zmienić tych ograniczeń odpowiedzialności. Niniejsze ograniczenie odpowiedzialności pozostaje w mocy nawet jeśli nabywca poinformował firmę Adam Hall lub jej autoryzowanego przedstawiciela o możliwości wystąpienia takich szkód. Te ograniczenia odpowiedzialności nie dotyczą roszczeń wynikających z wystąpienia obrażeń u osób.

Niniejsza Gwarancja daje Ci pewne specyficzne prawa. Mogą przysługiwać Ci również inne prawa, które różnią się między sobą zależnie od państwa nadania. Radzimy zapoznanie się z prawem właściwym krajowi zamieszkania, w celu uzyskania kompletnej wiedzy na temat przysługujących praw.

## ŻĄDANIE OBSŁUGI GWARANCYJNEJ

Aby uzyskać obsługę gwarancyjną swojego produktu, skontaktuj się z firmą Adam Hall lub jej autoryzowanym przedstawicielem od którego kupiłeś produkt.

## PRAWIDŁOWE SKŁADOWANIE TEGO PRODUKTU (ODPADY ELEKTRONICZNEI)



(Informacje mają zastosowanie w krajach członkowskich UE i innych krajach europejskich, w których obowiązują segregacja odpadów)

Ten znak na produkcie lub dołączonej dokumentacji oznacza, że nie należy go wyrzucać wraz z domowymi odpadkami po wycofaniu z użycia. Aby zapobiec możliwym szkodom dla środowiska i ludzkiego zdrowia spowodowanym niekontrolowanym składowaniem odpadów, prosimy o oddzielenie tego produktu od innych odpadów i odpowiedzialne poddanie go recyklingowi w celu promowania ciągłego odzyskiwania zasobów materiałowych.

Użytkownicy domowi powinni skontaktować się ze sprzedawcą lub lokalnym urzędem, aby uzyskać informacje na temat przyjaznej środowisku zbiórki odpadów elektronicznych.

Użytkownicy biznesowi powinni skontaktować się ze swoim dostawcą i sprawdzić warunki kontraktu nabycia. Tego produktu nie należy mieszać z innymi odpadami komercyjnymi przy składowaniu.

## DEKLARACJE PRODUCENTA:

ENGLISH

### DEKLARACJA-WEEE

Twój produkt LD Systems został zaprojektowany i wykonany z wysokiej jakości materiałów i komponentów, które można poddać recyklingowi i/lub użyć ponownie. Ten symbol oznacza, że sprzęt elektryczny i elektroniczny należy składować osobno od normalnych odpadów po zakończeniu użytkowania.

Prosimy, przekaż ten produkt do lokalnego punktu zbiórki lub centrum recyklingowego przeznaczonego dla tego typu sprzętu. W ten sposób przyczynisz się do ochrony środowiska, w którym żyjemy.

### BATERIE I AKUMULATORY

Dołączone baterie lub akumulatory można poddać recyklingowi. Prosimy, składuj je jako specjalne odpady lub wróć do punktu nabycia. W celu ochrony środowiska wyrzucaj wyłącznie zużyte baterie.

DEUTSCH

FRANCAIS

ESPAÑOL

POLSKI

ITALIANO

Adam Hall GmbH, wszystkie prawa zastrzeżone. Dane techniczne i funkcjonalne produktu mogą podlegać modyfikacjom. Kopiowanie, tłumaczenie i pozostałe formy reprodukcji fragmentów lub całości tej instrukcji obsługi są zabronione.

ENGLISH

DEUTSCH

FRANCAIS

ESPAÑOL

**POLSKI**

ITALIANO



ENGLISH

DEUTSCH

FRANÇAIS

ESPAÑOL

POLSKI

ITALIANO

## Grazie per aver scelto LD-Systems!

Questo prodotto è stato progettato per garantire un funzionamento affidabile per molti anni. LD-Systems, grazie al suo nome e alla sua esperienza pluriennale come fabbricante, garantisce prodotti di alta qualità.

Vi invitiamo a dedicare qualche istante a un'attenta lettura delle presenti istruzioni, per poter godere rapidamente e appieno dei vostri nuovi prodotti LD-Systems.

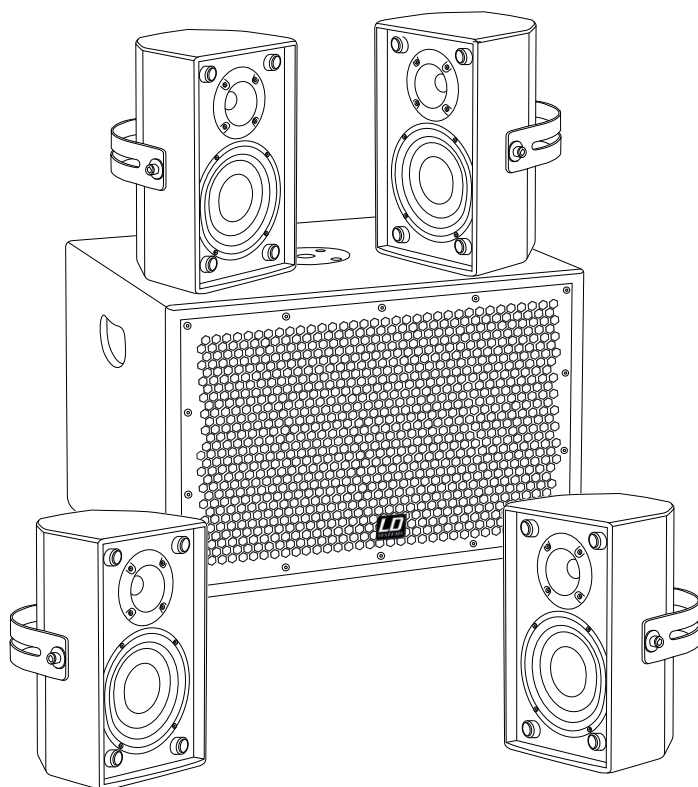
Per ottenere informazioni su LD-Systems consultate il nostro sito web [WWW.LD-SYSTEMS.COM](http://WWW.LD-SYSTEMS.COM)



# LD **SAT/SUB** SERIES

**INSTALLATIONS SPEAKER** PASSIVE: SAT42 / SAT242 / SAT62 / SAT82 / SUB88

**INSTALLATIONS SPEAKER** ACTIVE: SAT62A / SUB10A / SUB88A



ENGLISH

DEUTSCH

FRANCAIS

ESPAÑOL

POLSKI

ITALIANO

## MISURE PREVENTIVE :

1. Leggere attentamente queste informazioni.
2. Conservare le informazioni e istruzioni in un luogo sicuro.
3. Seguire le istruzioni.
4. Osservare tutte le avvertenze.
5. Usare il dispositivo solo per lo scopo per cui è previsto.
6. Utilizzare unicamente dei supporti e/o sistemi di fissaggio stabili e adeguati per l'installazione permanente del dispositivo. Assicurarsi che i supporti a parete siano saldi. Assicurarsi che il dispositivo sia installato in modo sicuro e non possa cadere.
8. Non installare il dispositivo vicino a radiatori, accumulatori di calore, forni o qualsiasi altra fonte di calore. Assicurarsi che il dispositivo venga sempre installato in modo da garantire una ventilazione sufficiente affinché non si surriscaldi.
9. Non collocare possibili fonti di incendio, ad es. candele accese, sul dispositivo.
10. Non coprire le griglie di ventilazione.
11. Non far funzionare il dispositivo in prossimità di acqua.
12. Assicurarsi che eventuali rovesciamenti o spruzzi d'acqua non possano entrare all'interno del dispositivo. Non collocare oggetti pieni di fluido, come ad esempio bicchieri o coppe sopra il dispositivo.
13. Assicurarsi che non possa cadere nessun oggetto all'interno del dispositivo.
14. Usare il dispositivo unicamente con gli accessori consigliati dal fabbricante.
15. **ATTENZIONE:** Questo dispositivo con CLASSE DI PROTEZIONE I deve essere collegato a una presa con connessione di protezione a terra. Non disattivare mai la funzione della connessione di protezione a terra del cavo di alimentazione. Se la spina del cavo di alimentazione fornito non entra nella presa, contattare un elettricista.
16. Controllare che il cavo di alimentazione non sia schiacciato. Assicurarsi che il cavo di alimentazione non venga pizzicato, soprattutto alle estremità di connessione al dispositivo e alla presa di alimentazione.
17. Per evitare danni o infortuni, ad esempio per cadute, verificare tutte le connessioni una volta collegato il dispositivo.
18. Quando si collega il dispositivo, assicurarsi che ci sia una presa elettrica comodamente accessibile.
19. Per scollegare completamente il dispositivo dell'alimentazione, bisogna staccare il la spina.
20. Se il dispositivo è dotato di un connettore Volex, bisognerà sbloccare il Volex del dispositivo per poterlo scollegare. Ciò significa anche che se si tira il cavo di alimentazione si può spostare il dispositivo causando danni personali e/o materiali. Per questo bisogna assicurarsi di tirare i cavi con particolare attenzione.
21. Se esiste il rischio di caduta di fulmini o durante periodi di disuso prolungati, scollegare la spina.
22. Durante il trasporto, assicurarsi che il dispositivo non possa cadere e causare danni personali e/o materiali.
23. Se il dispositivo non funziona più correttamente, se è stato versato del liquido sullo stesso o è caduto un oggetto al suo interno, o è stato danneggiato in qualsiasi altro modo, spegnerlo immediatamente e scollegare il cavo di alimentazione. Questo dispositivo dovrà essere riparato solo da esperti autorizzati.
24. Utilizzare solo un panno asciutto per pulire il dispositivo.
25. Rispettare tutte le normative esistenti in termini di smaltimento dei rifiuti applicabili nel vostro paese. Separare la plastica e la carta/cartone.
26. I sacchetti di plastica devono essere tenuti lontani dalla portata dei bambini.

**ATTENZIONE:**


per ridurre il rischio di scosse elettriche, non rimuovere il coperchio (o il retro). All'interno del dispositivo non sono presenti parti su cui l'utente può effettuare operazioni di manutenzione. Rivolgersi a personale qualificato per effettuare le operazioni di manutenzione.



Il simbolo del fulmine con una freccia in punta all'interno di un triangolo equilatero avverte l'utente della presenza di "tensione pericolosa" senza isolamento all'interno della carcassa del prodotto che potrebbe essere di magnitudine sufficiente per rappresentare un rischio per le persone.



Il punto esclamativo all'interno di un triangolo equilatero avverte l'utente della presenza di importanti istruzioni operative e relative alla manutenzione nella documentazione che accompagna l'apparecchio.

**ATTENZIONE! VOLUME ALTO!**

Questo sistema di trasmissione verrà utilizzato a scopi professionali, pertanto l'uso commerciale dell'attrezzatura è soggetto alle norme e ai regolamenti dell'Istituto Nazionale per l'Assicurazione contro gli Infortuni sul Lavoro relativi al nostro settore industriale. Adam Hall, in qualità di produttore, è tenuto a fornire all'utente informazioni formali circa l'esistenza di possibili rischi sanitari.

Danno all'udito per esposizione prolungata a dei livelli di pressione sonora (SPL) eccessivi: l'altoparlante può raggiungere facilmente dei livelli di pressione sonora sufficienti a causare danni permanenti all'udito agli artisti, al personale della produzione e al pubblico. Bisogna adottare le precauzioni necessarie per evitare l'esposizione prolungata a una SPL superiore a 90 dB.

## FUNZIONAMENTO:

### ALTOPARLANTE PASSIVO

#### LD SAT42(W) / SAT242(W)

Si possono collegare in parallelo sino a quattro altoparlanti SAT42(W) (2 SAT242(W)) per amplificatore a 4 ohm. Nel terminale di connessione posteriore, il segnale dell'altoparlante viene semplicemente mandato in loop al successivo altoparlante SAT42(W) (SAT242(W)).

#### LD SAT62(W)

Si possono collegare in parallelo sino a 4 altoparlanti SAT62(W) per amplificatore a 4 ohm. Nel terminale di connessione posteriore, il segnale dell'altoparlante viene semplicemente mandato in loop al successivo altoparlante SAT62(W).

#### LD SAT82(W)

Si possono collegare in parallelo sino a 2 altoparlanti SAT82(W) per amplificatore a 4 ohm. Nel terminale di connessione posteriore, il segnale dell'altoparlante viene semplicemente mandato in loop al successivo altoparlante SAT82(W).

#### LD SUB88 collegato a LD SAT 42/242/62(W)

Collegare i cavi dell'altoparlante provenienti dall'amplificatore ai terminali di connessione del subwoofer indicati come Input A e B. Quindi collegare i satelliti SAT42/242(W) o SAT62(W) ai terminali di connessione indicati come Output A e B. In questa combinazione si possono collegare fino a 4 satelliti SAT42/SAT62(W) o fino a 2 SAT242(W) a 4 ohm. Consigliamo di utilizzare cavi per altoparlanti come gli Adam Hall KLS 215, con una sezione minima di 2 x 1,5 mm<sup>2</sup>.

### ALTOPARLANTE ATTIVO

#### LD SAT62A/LD SAT82A

##### MONTAGGIO/INSTALLAZIONE

Si consiglia di accendere il sistema per ultimo e di spegnerlo per primo per evitare i rumori di accensione quando si collegano altri dispositivi come un mixer, ecc. Gli LD SAT62A aggiuntivi dovrebbero essere accesi in ordine, dal primo all'ultimo, e spenti seguendo l'ordine contrario. Se si utilizza la modalità AUTO la fonte del segnale si dovrebbe spegnere solo dopo 10 minuti di assenza di segnale, per assicurarsi che gli LD SAT62A siano in modalità Standby.

##### CONNESSIONE E FUNZIONAMENTO

Prima di collegare gli LD SAT62A il dispositivo deve essere spento. È possibile effettuare la connessione con dei jack di 6,3 mm (bilanciato tripolare/non bilanciato bipolare) e anche una connessione bilanciata utilizzando connettori XLR tripolari. Una volta collegati tutti i cavi necessari e girata in senso antiorario la manopola MAIN LEVEL fino al punto massimo a sinistra, si può accendere il dispositivo sorgente. A questo punto si possono accedere anche gli LD SAT62A (vedi sopra). Girare la manopola di regolazione MAIN LEVEL in senso orario fino a raggiungere il livello desiderato. Seguire lo stesso procedimento per eventuali LD SAT62A aggiuntivi. La Connessione e i controlli degli LD SAT62A vengono mostrati nella pagina del **pannello posteriore degli altoparlanti attivi**.

##### LOOP DEL SEGNALE

Il sistema LD SAT62A è stato concepito per mandare il segnale in loop ad altri dispositivi attraverso un connettore XLR tripolare. Non è necessario connettere ogni dispositivo con un cavo separato alla sorgente. Assicurarsi che i cavi XLR siano di buona qualità e che vengano installati in modo sicuro.

## SPECIFICHE:

	<b>LD SAT42(W)</b>	<b>LD SAT242(W)</b>	<b>LD SAT62(W)</b>	<b>LD SAT82(W)</b>	<b>LD SAT62A</b>
Product	Installation speaker	Installation speaker	Installation speaker	Installation speaker	Installation speaker
Type	passive	passive	passive	passive	active/bass reflex
Loudspeaker	4" woofer & 1" silkdome tweeter	2 x 4" woofer & 1" silkdome tweeter	6.5" woofer & 1" silkdome tweeter	8" woofer & 1" horn tweeter	6.5" woofer & 1" silkdome tweeter
Amplifier	-	-	-	-	Class A/B
Dispersion	60° x 60°	60° x 60°	60° x 60°	60° x 60°	60° x 60°
Load capacity (RMS / max.)	60/100W	100/180W	80/130W	120/200W	50W
Frequency range	75Hz-20.000Hz	75Hz-20.000Hz	55Hz-20.000Hz	50Hz-20.000Hz	55Hz-20.000Hz
SPL	85 dB	88 dB	89 dB	93 dB	89 dB
Max. SPL	103 dB	108 dB	108 dB	114 dB	108 dB
Protection circuit	-	-	-	-	excess current
Line in	-	-	-	-	sym. XLR / 6.3 mm Jack
Line out	-	-	-	-	sym. XLR
Power Input	-	-	-	-	220-240 V AC
Impedance	16ohms	8ohms	16ohms	8ohms	-
Terminals	Clamp-type connection	Clamp-type connection	Clamp-type connection	Clamp-type connection	-
Cabinet material	12 mm MDF	12 mm MDF	12 mm MDF	15 mm MDF	12 mm MDF
Cabinet surface	textured paint	textured paint	textured paint	textured paint	textured paint
Dimension (WxHxD)	140 x 230 x 125 mm	140 x 378 x 135 mm	200 x 320 x 200 mm	247 x 410 x 243 mm	200 x 320 x 205 mm
Weight	2.7 kg	4.1 kg	4.1 kg	8.5 kg	6 kg
Accessories	4 M6 rigging/mounting points, mounting brackets	4 M6 rigging/mounting points, mounting brackets	4 M6 rigging/mounting points, mounting brackets	4 M6 rigging/mounting points, mounting brackets	4 M6 rigging/mounting points, mounting brackets

ENGLISH

DEUTSCH

FRANCAIS

ESPAÑOL

POLSKI

ITALIANO

## PANNELLO POSTERIORE DELL'ALTOPARLANTE ATTIVO:

### LD SAT62A

#### 1 MAIN LEVEL

Regolare il volume degli altoparlanti

#### 2 POWER MODE

Passa dall'accensione continua (ON) alla modalità standby (AUTO). Nella posizione AUTO l'amplificatore si accende quando riceve un segnale. Dopo qualche minuto senza alcun segnale l'amplificatore torna di nuovo in modalità standby.

#### 3 LED POWER

Si accende in ROSSO se il dispositivo è in modalità STANDBY. Si accende in verde se il dispositivo è acceso.

#### 4 INPUT XLR/jack da 6,3 mm

Entrata di linea bilanciata con connettori XLR e jack di 6,3 mm.

#### 5 LINE DIRECT OUTPUT

Uscita di linea diretta, bilanciata per connettori XLR. Si dovrebbe utilizzare per mandare il segnale in loop a un altro LD SAT62A/LD SAT82A.

#### 6 INTERRUTTORE DI ACCENSIONE

Interruttore ON/OFF.

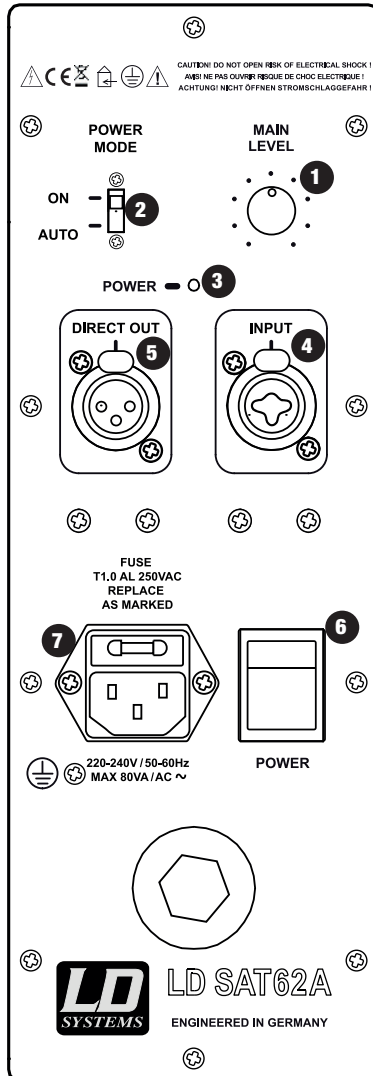
#### 7 PUNTO DI PRESA DI CORRENTE

Punto di presa di corrente da 240 V (connettore IEC) e portafusibile. Sostituire il fusibile solo con l'alimentazione scollegata e solo con un fusibile dello stesso tipo e caratteristiche (T1A 250V AC). Se il fusibile salta ripetutamente, richiedere l'assistenza di personale autorizzato.

#### 8 LED OVERLOAD

Si accende in caso di sovraccarico dell'altoparlante. Ridurre immediatamente il volume.

# PANNELLO POSTERIORE DELL'ALTOPARLANTE ATTIVO:



ENGLISH

DEUTSCH

FRANCAIS

ESPAÑOL

POLSKI

ITALIANO

## FUNZIONAMENTO:

### LD SUB88A

#### MONTAGGIO/INSTALLAZIONE

Il sistema attivo LD SUB88A si può installare sia a terra che su una base solida con una capacità di carico adeguata. Si consiglia caldamente di installare il LD SUB88A a una altezza non superiore a 150 cm (per evitare che cada). Il LD SUB88A si può installare sia in posizione orizzontale che verticale.

Controllare che ci sia una distanza sufficiente (> 20 cm) tra l'amplificatore integrato e le pareti, rack, ecc. per evitare il surriscaldamento. Soprattutto se si installa in una scaffalatura o all'interno di un bancone, ecc. È importante assicurarsi che ci sia una ventilazione adeguata all'amplificatore integrato. Assicurarsi di utilizzare un cablaggio sicuro sia per l'alimentazione che per l'altoparlante. Utilizzare unicamente cavi non danneggiati di dimensioni adeguate e solo bobine di cavi già completamente srotolate. Controllare che il cablaggio non implichi alcun pericolo di caduta ecc. per evitare qualsiasi tipo di incidente o danno personale. Non installare gli elementi vicino a un dislivello, come ad esempio sul bordo della base.

#### CONNESSIONE E FUNZIONAMENTO

Prima di collegare il LD SUB88A il dispositivo deve essere spento. È possibile effettuare la connessione con dei jack di 6,3 mm (bilanciato tripolare/non bilanciato bipolare) e anche una connessione bilanciata utilizzando connettori XLR tripolari. Una volta collegati tutti i cavi necessari e girata in senso antiorario la manopola MAIN LEVEL, si può accendere il dispositivo sorgente. A questo punto si può accedere anche il LD SUB88A. Girare la manopola di regolazione SUB LEVEL in senso orario fino a raggiungere il livello desiderato. Con il comando SUB CROSSOVER si può regolare la gamma di frequenza limitandola fino a far coincidere il LD SUB88 A con i satelliti utilizzati. Si può utilizzare anche l'interruttore SUB PHASE assieme ai satelliti se necessario. Si consiglia di utilizzare la posizione dell'interruttore che offre il suono migliore. La Connessione e i controlli del LD SUB88A vengono mostrati nella pagina del **pannello posteriore degli altoparlanti attivi**. Si consiglia di accendere il sistema per ultimo e di spegnerlo per primo per evitare i rumori di accensione quando si collegano altri dispositivi come un mixer, ecc.

### LD SUB10A

LD SUB10A è un subwoofer attivo da 10" estremamente compatto e potente. Grazie all'amplificatore di potenza a 3 canali integrato (3x 120 W RMS), questo prodigio della versatilità può essere impiegato come basso aggiuntivo con altoparlanti a gamma intera tipo Stinger 8" o Stinger 10", oppure implementato in installazioni applicative in combinazione con altoparlanti passivi della serie LD SAT.

#### MONTAGGIO/INSTALLAZIONE

Il sistema attivo LD SUB10A può essere installato sia a terra che su una base solida con capacità di carico adeguata. Si consiglia caldamente di installare l'LD SUB10A a una altezza non superiore a 150 cm (per evitare che cada).

Controllare che tra l'amplificatore integrato e le pareti, i rack, ecc. vi sia una distanza sufficiente (> 20 cm) in modo da evitarne il surriscaldamento. In particolare, se il sistema è installato su uno scaffale o all'interno di un bar, ecc. è importante assicurare una ventilazione adeguata. Accertarsi di utilizzare un cablaggio sicuro sia per l'alimentazione che per gli ingressi e le uscite. Utilizzare unicamente cavi non danneggiati di dimensioni adeguate e solo bobine di cavi già completamente srotolate. Controllare che il cablaggio non implichi alcun pericolo di caduta ecc. per evitare qualsiasi tipo di incidente o danno. Non installare gli elementi vicino a un dislivello, come ad esempio sul bordo della base.



## FUNZIONAMENTO / SPECIFICHE:

### CONNESSIONE

Spegnerne l'LD SUB10A (OFF) prima di collegarlo ad altri dispositivi. Una volta collegati tutti i cavi necessari e abbassata la manopola MAIN LEVEL, si può accendere il dispositivo sorgente. A questo punto si può accendere anche l'LD SUB10A (ON). Girare la manopola MAIN LEVEL in senso orario fino a raggiungere il volume desiderato.

	LD SUB88	LD SUB88A	LD SUB10A
Product	Installation speaker	Installation speaker	Installation speaker
Type	passive	active, bandpass	active, bass reflex
Loudspeaker	2x8" woofer	2x8" woofer	10" woofer
Amplifier	-	Class A/B	Class A/B
Load capacity (RMS / max.)	2 x 100/180W	150W	3 x 120W
Frequency range	40Hz to 120Hz	40Hz-120Hz	40Hz-120Hz
SPL	92 dB	92 dB	97 dB
Max. SPL	115dB	115 dB	118 dB
Protection circuit	-	excess current	Short circuit, Over current, Clip Limiter
Line in	-	sym. XLR / 6.3 mm Jack	-sym. XLR / 6.3 mm Jack
Line out	-	-	binding post-
Power Input	-	220-240 V AC	220-240 VAC
Impedance	2 x 8ohms	-	-
Terminals	Clamp-type connection	-	-
Cabinet material	15 mm MDF	15 mm MDF	15 mm MDF
Cabinet surface	textured paint	textured paint	textured paint
Dimension (WxHxD)	600 x 250 x 350 mm	600 x 250 x 350 mm	505 x 345 x 425 mm
Weight	11 kg	4.1 kg	21 kg
Accessories	-	-	Ergonomic milled handles, Threaded flange (M20)

ENGLISH

DEUTSCH

FRANCAIS

ESPAÑOL

POLSKI

ITALIANO

## PANNELLO POSTERIORE DELL'ALTOPARLANTE ATTIVO:

### LD SUB88A

#### 1 LED POWER, SIGNAL, LIMIT LED POWER

Si accende in verde quando il dispositivo è acceso.

#### LED SIGNAL

Si accende in verde quando riceve un segnale audio.

#### LED LIMIT

Si accende quando l'altoparlante viene fatto funzionare al limite. Un lampeggio sporadico del LED non è critico. Se il LED del limitatore si accende per più di un momento breve o in modo permanente (=sistema al limite), ridurre il volume della fonte di segnale connessa o il volume dell'altoparlante attivo. Altrimenti il suono potrebbe risultare sgradevole e distorto e si potrebbe verificare un malfunzionamento del sistema di altoparlanti.

#### 2 SUB CROSSOVER

Filtro passa basso regolabile da 80 a 200 Hz. Impostare la frequenza al livello di taglio minimo dei satelliti connessi.

#### 3 SUB LEVEL

Regolare il volume del subwoofer attivo.

#### 4 INPUT XLR/jack da 6,3 mm

Entrata di linea bilanciata con connettori XLR e jack di 6,3 mm.

#### 5 SUB PHASE

Inverte la fase del subwoofer (0°/180°) se necessario.

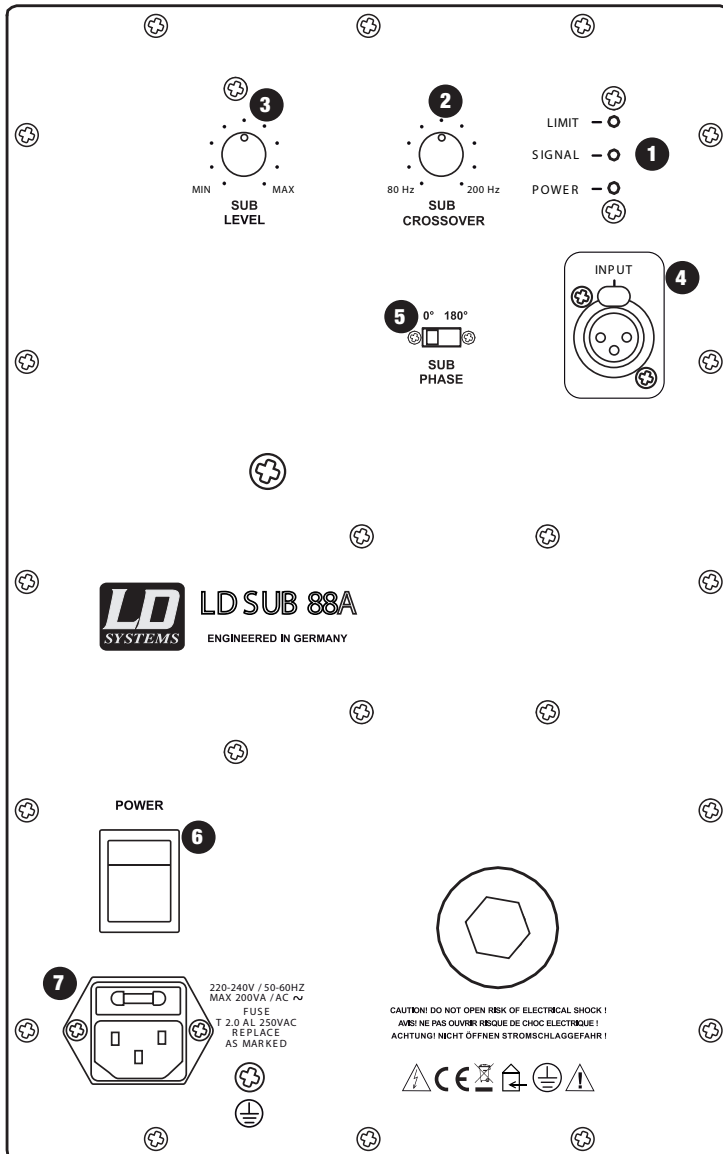
#### 6 INTERRUTTORE DI ACCENSIONE

Interruttore ON/OFF. Si consiglia di accendere i dispositivi connessi prima di accendere il LD SUB88A e di spegnerli dopo aver spento il LD SUB88A.

#### 7 PUNTO DI PRESA DI CORRENTE

Punto di presa di corrente da 240 V (connettore IEC) e portafusibile. Sostituire il fusibile solo con l'alimentazione scollegata e solo con un fusibile dello stesso tipo e caratteristiche (T1A 250V AC). Se il fusibile salta ripetutamente, richiedere l'assistenza di personale autorizzato.

# PANNELLO POSTERIORE DELL'ALTOPARLANTE ATTIVO:



ENGLISH

DEUTSCH

FRANCAIS

ESPAÑOL

POLSKI

ITALIANO

## PANNELLO POSTERIORE DELL'ALTOPARLANTE ATTIVO:

### LD SUB10A

#### 1 MAIN LEVEL

Volume del sistema (subwoofer e altoparlanti passivi ad esso collegati).

#### 2 SUB PHASE

Inverte la fase del subwoofer (0°/180°).

#### 3 SUB LEVEL

Volume del subwoofer. (impostazione standard ore 12).

#### 4 LINE DIRECT OUTPUT (LEFT / RIGHT)

Uscita di linea diretta bilanciata XLR (sx/dx). Fornisce lo stesso segnale ricevuto in ingresso.

#### 5 LINE INPUT

Ingresso di linea bilanciato per connettori XLR e jack da 6,3 mm.

#### 6 SPEAKER OUTPUT (LEFT / RIGHT)

Esempi:

2 x 4 LDSAT42(W), o

2 x 4 LDSAT62(W), o

2 x 2 LDSAT242(W)

#### 7 POWER CONNECTION SEAT

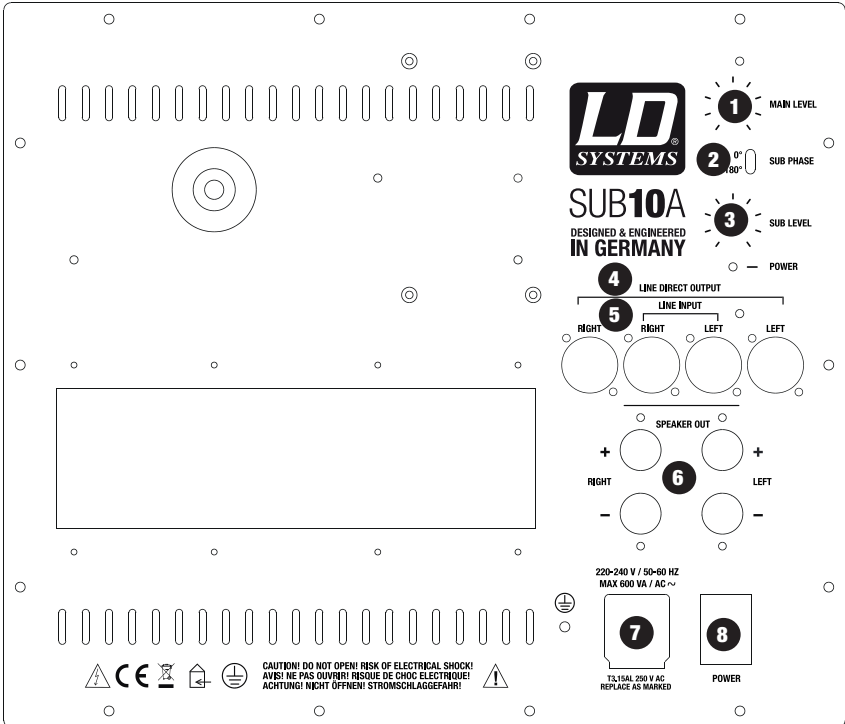
Punto di presa di corrente da 240 V (connettore IEC) e portafusibile. Sostituire il fusibile unicamente a cavo d'alimentazione scollegato.

Sostituire il fusibile solo con uno dello stesso tipo e potenza. Se il fusibile salta ripetutamente, richiedere l'assistenza di personale autorizzato.

#### 8 INTERRUTTORE DI ACCENSIONE

Interruttore ON/OFF. Spegnerne prima (OFF) e poi accendere (ON) per evitare rumori fastidiosi.

# PANNELLO POSTERIORE DELL'ALTOPARLANTE ATTIVO:



ENGLISH

DEUTSCH

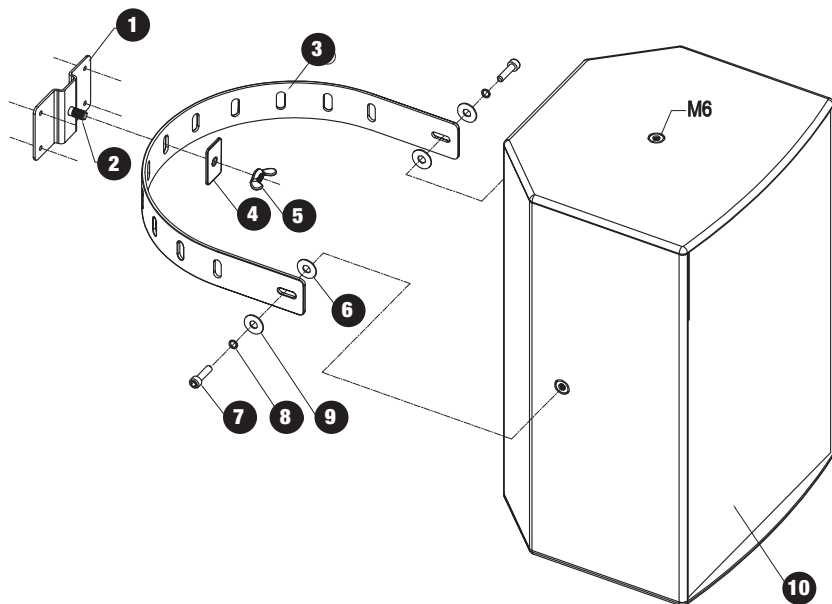
FRANCAIS

ESPAÑOL

POLSKI

ITALIANO

## DISEGNO DELLA STAFFA (ESPLOSO):



**1** PANNELLO DI MONTAGGIO A PARETE

**2** DADO M6

**3** STAFFA A U

**4** RONDELLA

**5** DADO ALETTATO M8

**6** RONDELLA IN GOMMA

**7** VITE A BRUGOLA M6 X 16

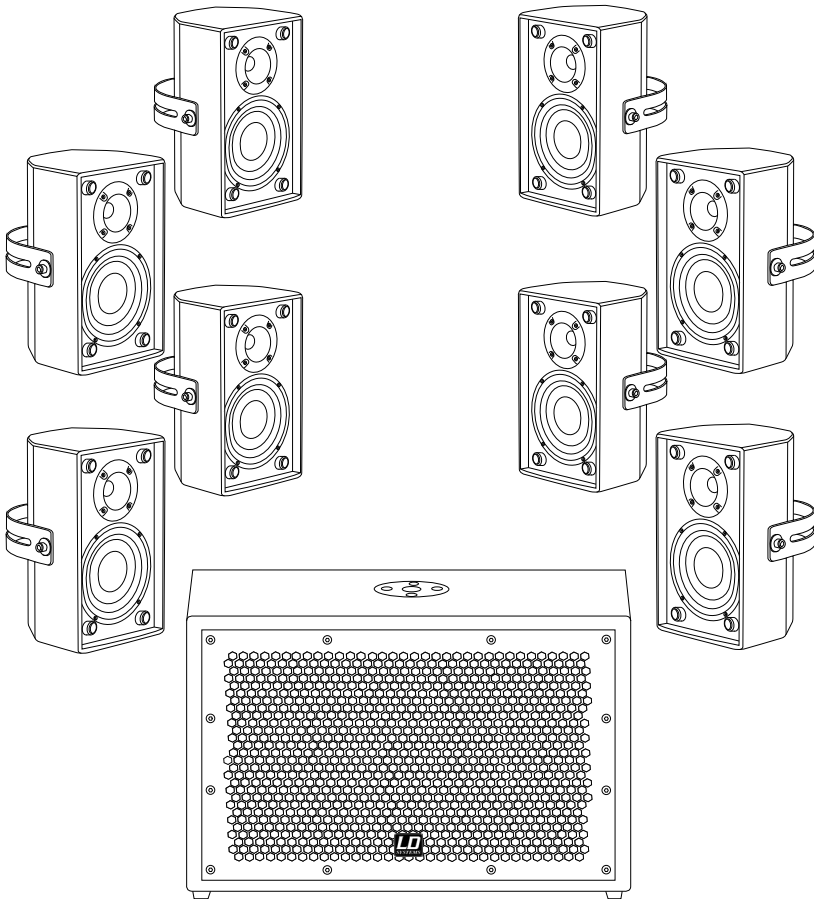
**8** RONDELLA ELASTICA

**9** RONDELLA METALLICA

**10** ARMADIETTO LD SAT

## COMBINAZIONI D'INSTALLAZIONE:

**LDSUB10A + 2 x 4 LDSAT42(W)**



ENGLISH

DEUTSCH

FRANCAIS

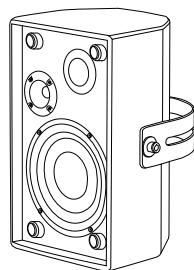
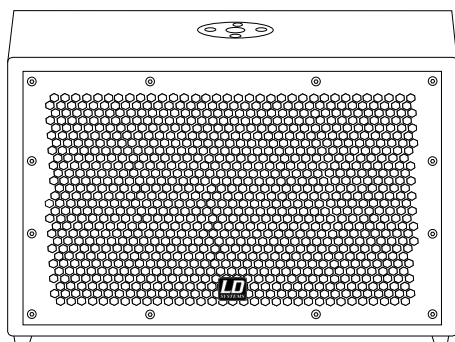
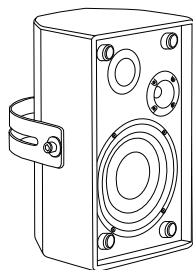
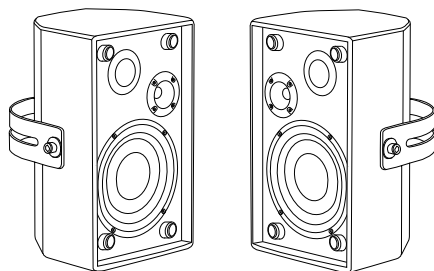
ESPAÑOL

POLSKI

ITALIANO

## COMBINAZIONI D'INSTALLAZIONE:

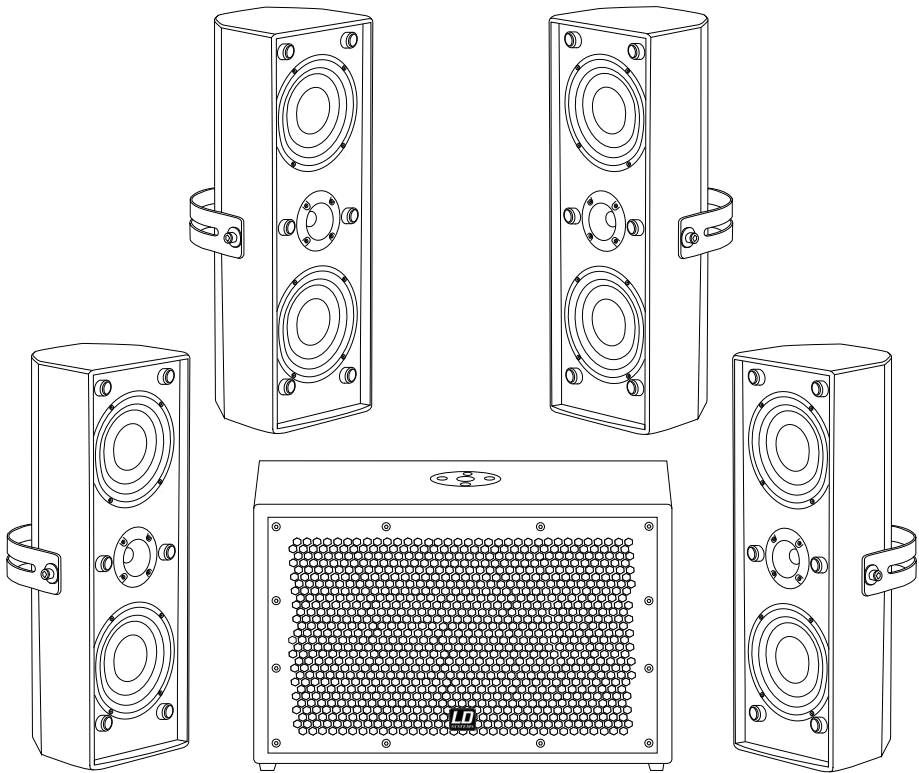
LDSUB10A + 2 x2 LDSAT62(W)





## COMBINAZIONI D'INSTALLAZIONE:

**LDSUB10A + 2 x2 LDSAT242(W)**



ENGLISH

DEUTSCH

FRANCAIS

ESPAÑOL

POLSKI

ITALIANO

## DICHIARAZIONI DEL PRODUTTORE:

### GARANZIA DEL PRODUTTORE

Le seguenti condizioni di garanzia si applicano ai prodotti dei marchi Adam Hall, LD Systems, LD Premium, Defender, Palmer, Cameo e Eminence.

La presente dichiarazione di garanzia non influisce sui diritti di garanzia del produttore previsti dalla legge, ma estende ulteriormente tali diritti anche nei confronti della ditta Adam Hall.

Adam Hall garantisce per un periodo di due o cinque anni dalla data di acquisto che questo prodotto Adam Hall acquistato direttamente dall'azienda o attraverso un rivenditore autorizzato, se utilizzato correttamente, è privo di difetti di materiale e manodopera.

Il periodo di garanzia ha inizio dalla data di acquisto del prodotto che, nel caso in cui si voglia usufruire della garanzia, va adeguatamente documentata tramite la presentazione dello scontrino o della bolla di consegna con la data di acquisto. Qualora, entro il periodo di garanzia, i prodotti di una delle marche sovraindicate necessitino di interventi di riparazione, l'utente ha diritto ad usufruire del servizio alle condizioni indicate nel presente documento.

Questa garanzia del produttore è valida esclusivamente per il primo proprietario del prodotto Adam Hall e non si può trasferire ad un eventuale proprietario successivo. Entro il periodo di garanzia, Adam Hall si fa carico della riparazione o della sostituzione dei componenti o degli apparecchi difettosi. Tutti i componenti o i prodotti sostituiti usufruendo della garanzia del produttore diventano di proprietà di Adam Hall.

Nel caso improbabile che il prodotto acquistato presenti ripetuti malfunzionamenti, la ditta Adam Hall è autorizzata a sostituire a propria discrezione il prodotto difettoso con un altro, a patto che il nuovo prodotto sia di uguale valore rispetto a quello vecchio per quanto riguarda le caratteristiche hardware.

Adam Hall non garantisce che il prodotto sia perfettamente funzionante e/o senza difetti. Inoltre, Adam Hall non risponde di danni derivanti dall'inosservanza delle indicazioni riportate nelle istruzioni d'uso fornite con il presente prodotto e in altra documentazione.

La garanzia del produttore non copre:

- parti soggette ad usura (es. accumulatori),
- apparecchi dai quali è stato rimosso il numero di serie o il cui numero di serie risulta illeggibile a causa di danneggiamenti causati dall'utente,
- danni derivanti da uso errato o improprio o altre cause esterne,
- danni ad apparecchi che non sono stati utilizzati secondo i parametri di funzionamento (parametri indicati nella documentazione contenuta nella confezione),
- danni derivanti dall'utilizzo di componenti non prodotti o distribuiti da Adam Hall,
- danni derivanti da interventi, modifiche o riparazioni non effettuate da Adam Hall.

Le presenti condizioni costituiscono l'accordo di garanzia completo ed esclusivo tra l'acquirente e la Adam Hall per il prodotto Adam Hall acquistato.

## LIMITAZIONI DI RESPONSABILITÀ

Nel caso in cui, durante il periodo di garanzia, i prodotti hardware Adam Hall presentino difetti di materiale o di lavorazione (in base alla dichiarazione di garanzia precedente), il solo ed unico diritto del cliente previsto dalla presente garanzia è quello di riparazione o sostituzione dell'apparecchio. La massima responsabilità di Adam Hall è limitata, come espressamente indicato nella garanzia, al prezzo d'acquisto o ai costi per la riparazione o la sostituzione (e in questo caso per l'importo minore) dei componenti hardware difettosi in caso di uso corretto degli stessi.

Adam Hall non è responsabile per eventuali danni provocati dal prodotto o dal malfunzionamento dello stesso, compresi mancati guadagni, perdite e danni speciali indiretti o conseguenti. Inoltre Adam Hall è indenne da richieste avanzate da terzi o dal cliente in nome di terzi.

La presente limitazione di responsabilità vale indipendentemente dal fatto che i danni siano oggetto di procedimenti giudiziari o che siano oggetto di risarcimento danni ai sensi della presente garanzia o per atti illeciti (incluse negligenza e responsabilità oggettiva) o per pretese contrattuali o di altra natura, e non può essere né annullata né modificata. La presente limitazione di responsabilità è valida anche nel caso in cui l'utente abbia avvisato Adam Hall o un rappresentante autorizzato di possibili danni. Tale limitazione non è però valida in caso di richieste per risarcimento danni in relazione a danni a persone.

La garanzia del produttore permette di godere di determinati diritti. A seconda della giurisdizione competente (dello stato o della regione in cui si risiede) è possibile ottenere ulteriori diritti. Si consiglia quindi di consultare le leggi applicabili per determinare l'insieme dei diritti di cui si può godere.

## RICORSO ALLA GARANZIA

Per usufruire della garanzia rivolgersi direttamente a Adam Hall o al rivenditore autorizzato Adam Hall, dal quale è stato acquistato il prodotto.

## CORRETTO SMALTIMENTO DEL PRODOTTO ("RIFIUTI ELETTRONICI")

(Valido nei paesi dell'Unione europea e in altri paesi con sistema di smaltimento differenziato dei rifiuti)



Questo simbolo sul prodotto o sui documenti relativi ad esso sta ad indicare che l'apparecchio alla fine del suo ciclo di vita non deve essere smaltito insieme ai normali rifiuti domestici, in modo tale da evitare eventuali danni ambientali e alle persone causati da uno smaltimento incontrollato dei rifiuti. Si prega di smaltire questo prodotto separatamente da altri rifiuti e promuovere così lo sviluppo di cicli economici sostenibili con il riciclaggio.

I privati cittadini possono ricevere informazioni sulle possibilità di smaltimento sostenibile presso il venditore dal quale è stato acquistato il prodotto o presso le autorità regionali competenti. I professionisti devono invece contattare il loro fornitore di fiducia e controllare le eventuali condizioni contrattuali per lo smaltimento degli apparecchi. Questo prodotto non deve essere smaltito assieme ad altri rifiuti industriali.

## DICHIARAZIONI DEL PRODUTTORE:

### DICHIARAZIONE RAEE

Il prodotto LD Systems acquistato è stato realizzato tramite l'utilizzo di materiali e componenti di qualità che possono essere riciclati o riutilizzati. Questo simbolo indica che gli apparecchi elettronici non vanno smaltiti assieme ai normali rifiuti domestici indifferenziati. Si prega di smaltire questo apparecchio a norma di legge presso un punto di raccolta per rifiuti elettronici contribuendo così alla salvaguardia dell'ambiente.

### BATTERIE E PILE

Le batterie incluse nella confezione possono essere riutilizzate. Non gettare quindi le batterie nei normali rifiuti domestici, ma in contenitori appositi per la loro raccolta. Aiutate a mantenere pulito l'ambiente.

ENGLISH

DEUTSCH

FRANCAIS

ESPAÑOL

POLSKI

ITALIANO



ENGLISH

DEUTSCH

FRANCAIS

ESPAÑOL

POLSKI

ITALIANO

ENGLISH

DEUTSCH

FRANCAIS

ESPAÑOL

POLSKI

ITALIANO



[WWW.LD-SYSTEMS.COM](http://WWW.LD-SYSTEMS.COM)

**Adam Hall GmbH** | Daimlerstrasse 9 | 61267 Neu-Anspach | Germany  
Tel. +49(0)6081/9419-0 | Fax +49(0)6081/9419-1000  
web: [www.adamhall.com](http://www.adamhall.com) | e-mail: [mail@adamhall.com](mailto:mail@adamhall.com)

