

Ampeg®

SCR-DI

Bass DI with Scrambler Overdrive



Owner's Manual



TABLE OF CONTENTS

Introduction	2
Features:	3
Front and Right Side Panel Features.	4
Front and Left Side Panel Features.	5
Left Side and Rear Panel Features	6
Bottom Panel Features	7
Block Diagram.	8
Technical Specifications	9
Warranty and Support.	9

Introduction

The Ampeg SCR-DI Bass DI with Scrambler Overdrive is a true Ampeg preamp, delivering a wide range of Ampeg tone, perfect for the stage. The classic Ampeg EQ offers additional tonal control, including Ultra-Hi and Ultra-Lo tone shaping. Plus, you can dial in tube-like grind with the integrated Bass Scrambler overdrive.

The SCR-DI has all the connections to get Ampeg tone out of any rig, and send it all to front-of-house to ensure the audience hears *your* tone. With a built-in Headphone Out and Aux In for practicing along with backing tracks, the SCR-DI is also a fantastic practice tool that fits right into your gig bag.

Like all Ampeg products, your SCR-DI is designed by musicians and built using only the best of components. Each pedal is tested to confirm that it meets our specifications, and we believe that this pedal is the absolute best that it can be.

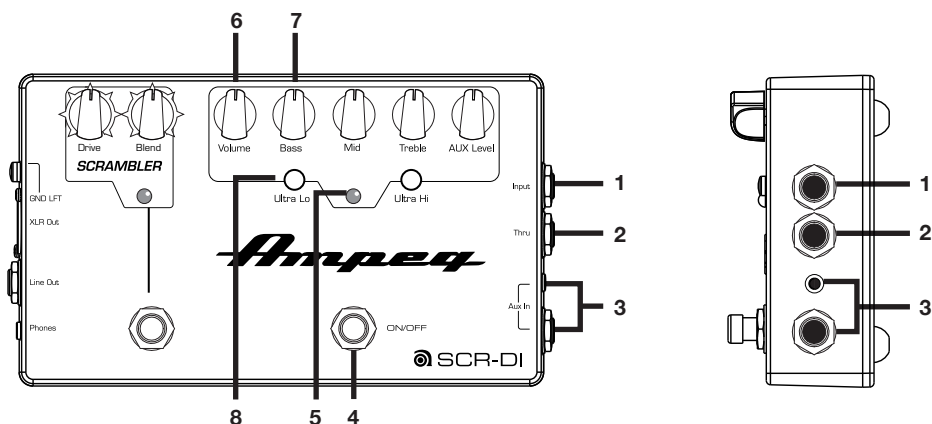
In order to get the most out of your new pedal, please fully read this *Owner's Manual*, as well as the *Important Safety Instructions* included with your SCR-DI, before you begin playing. Best of luck in all of your musical endeavors!

And **thank you** for choosing Ampeg.

Features:

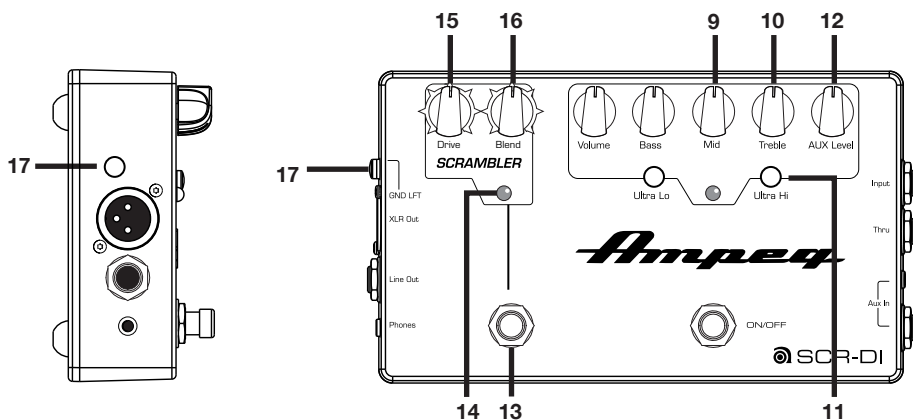
- **Classic Ampeg Tone**
 - Legacy, analog Ampeg preamp and tone stack circuits
 - Wide range of authentic Ampeg tones from smooth Portaflex® to harmonically-rich SVT®
- **The Bass Player's DI**
 - The connections you need to drive your rig and deliver Ampeg tone to front-of-house or recording desk
 - Dedicated XLR balanced Line Out with Ground Lift
 - 1/4" Line Output (processed)
 - 1/4" Thru Output (unprocessed)
- **Total Tonal Control**
 - A complete Ampeg EQ pedal with massive tone choices
 - Classic 3-band tone stack
 - Ultra-Hi and Ultra-Lo circuits for additional tonal flexibility
 - Footswitchable
- **Powerful Bass Overdrive Pedal**
 - Bass Scrambler overdrive circuit delivers true SVT grit, grind and sag
 - Separate Drive and Blend controls
 - Footswitchable
- **The Perfect Practice Tool**
 - Flexible tools for silent practice anywhere
 - 1/8" Headphone Output
 - 1/4" and 1/8" Aux Input for playing along with backing tracks
- **Built to Last**
 - Roadworthy, corrosion resistant, die-cast zinc chassis construction
 - Durable metal switches
 - No-slip rubber feet for solid stage performance

Front and Right Side Panel Features



1. **INPUT:** The signal output from an instrument (active or passive) may be connected to this 1/4" Input by means of a shielded instrument cable.
NOTE: There is a -15 dB Pad jumper located inside of the pedal. Details on switching the jumper may be found on [page 7](#).
NOTE: Unplug the input cable when not in use, as the 9V battery will drain (and eventually die). Details on replacing the battery may be found on [page 7](#).
2. **THRU:** This is where you connect instrument-level, parallel effects devices (such as an FX device chain, processors, or tuner). This output is unaffected by the SCR-DI's circuitry.
3. **AUX INPUTS:** The audio output from line level sources, such as a mobile device, MP3, or CD player, can connect to either of these inputs. The incoming audio is mixed with the preamp signals and appears in the Headphone Out only.
4. **EQ SWITCH:** Engage this switch to activate or bypass the EQ section.
NOTE: The EQ and Bass Scrambler overdrive circuits are able to be activated and bypassed independently via their footswitches.
5. **EQ ON/OFF LED:** This LED illuminates purple when the EQ section is engaged.
6. **VOLUME:** Use this to control the overall output level. It affects the preamp level to the balanced XLR Out, unbalanced 1/4" Line Out, and Phones outputs. Use it wisely and turn it down when making connections, putting on headphones, or trying something new. It does not affect the signal fed to the Aux Input.
NOTE: The Volume control is active only when the EQ is engaged.
7. **BASS:** Use this to adjust the low frequency level of the SCR-DI. This provides up to 14 dB of boost, or 14 dB of cut, at 40 Hz. The low frequency output is flat at the center position.
8. **ULTRA LO:** This switch, when engaged, enhances the amount of low-end output by 1 dB at 40 Hz, and 10 dB cut at 500 Hz.

Front and Left Side Panel Features



9. MID: Use this to adjust the midrange frequency level of the SCR-DI. This provides up to 5 dB of boost, or 11 dB of cut, at 500 Hz. The midrange frequency output is flat at the center position.

Rotate the control counter-clockwise for a “contoured” sound (more distant, less midrange output), or clockwise for a sound that really cuts through.

10. TREBLE: Use this to adjust the high frequency level of the SCR-DI. This provides up to 16 dB of boost, or 15 dB of cut, at 4 kHz. The high frequency output is flat at the center position.

11. ULTRA HI: This switch, when engaged, enhances the amount of high frequency output by 5 dB at 8 kHz.

12. AUX LEVEL: Use this to control the output level of the signal fed to the Aux Input. Use it wisely and turn it down when making connections, putting on headphones, or trying something new.

13. SCRAMPLER: Engage this switch to activate the Bass Scrambler overdrive circuit. This allows for varying amounts of tube-like grind and distortion.

NOTE: The Bass Scrambler overdrive and EQ circuits are able to be activated and bypassed independently via their footswitches.

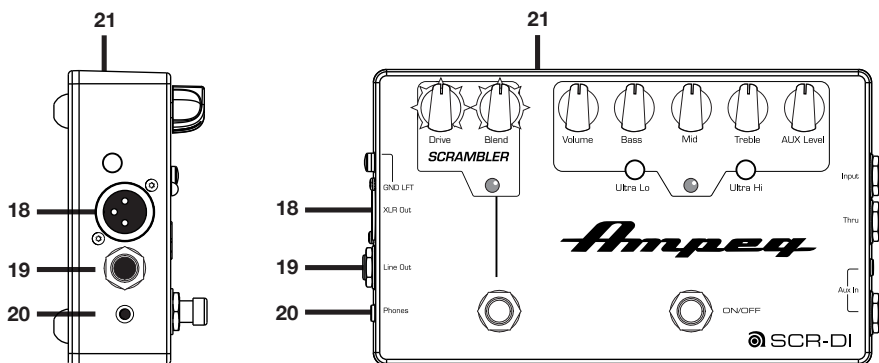
14. SCRAMPLER LED: This LED illuminates green when the Bass Scrambler overdrive is engaged.

15. DRIVE: Use this to adjust the amount of Bass Scrambler overdrive effect. Rotate the control clockwise for a more overdriven sound, or counter-clockwise for a less overdriven sound.

16. BLEND: Use this to blend the Bass Scrambler affected signal with the clean, unaffected signal.

17. GROUND / LIFT: Press this switch in to engage the Ground Lift, if necessary, to help eliminate hum at the XLR Output jack.

Left Side and Rear Panel Features




- 18. BALANCED XLR LINE OUT JACK**
19. UNBALANCED 1/4" LINE OUT JACK

Typically, these outputs connect to the balanced input of an external mixer, recorder, or interface. In this way, you do not have to mic the speaker cabinet in order to add it to the main mix or to record. The level of these signals are affected by the Volume control only when EQ is active.

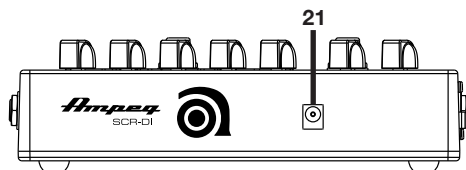
These outputs can connect to external power amplifiers, or powered loudspeakers, as long as they have their own input controls to adjust the volume level.

NOTE: These outputs are wired in parallel (but the XLR Out is balanced and 6 dB hotter). In other words, you can use them simultaneously. For example, the XLR Out could be sent to a mixer, while the 1/4" Out is sent to an amplifier.


- 20. PHONES:** Use this 1/8" TRS stereo output to connect your headphones. The output here is a mix of the instrument signals reaching the SCR-DI, and any incoming audio from the Aux Input jacks.

 Before putting on headphones, make sure the Volume and Aux controls are turned down, and that any connected external audio source has its level turned down. This will reduce the chance of hearing damage due to loud volumes.

NOTE: The XLR and 1/4" Line Outs are still active when phones are connected.



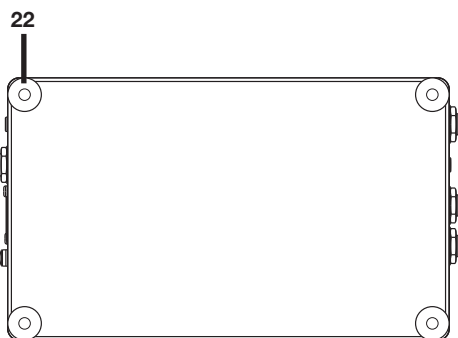
- 21. POWER CONNECTOR:** This is where to connect the optional power supply.

 **NOTE:** Before plugging in the power supply, make sure that you are using the correct model power supply for this product. Failure to do so may result in damage to your unit and void your warranty.

A **DC-1G Power Supply** may be purchased from an Ampeg Dealer, or you may purchase one directly from the Ampeg Online Shop, at shop.ampeg.com.

For residents outside of the US, please request the model **DC-1G Power Supply** when purchasing from an Ampeg dealer or distributor in your region.

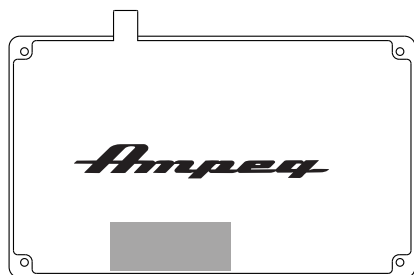
Bottom Panel Features



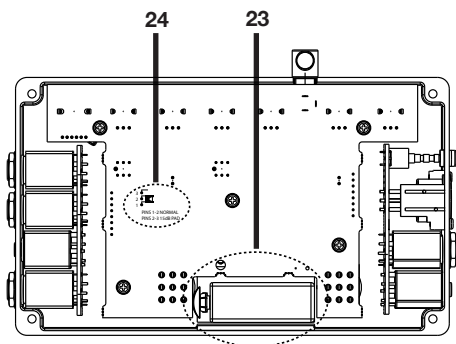
- 22. BOTTOM PANEL ACCESS:** A -15 dB Pad jumper is located inside the bottom of the pedal. This is also where the 9V battery is housed.

Removing the bottom is easy. Simply start by placing the pedal top down on a soft, dry cloth.

Each of the four rubber feet located on each corner also doubles as a screw. Remove the feet/screws by turning them counter-clockwise. Be sure to keep them in a safe place as you will need them again!



NOTE: When replacing the bottom plate of the pedal, line up the rectangular foam piece over the battery, and the metal protrusion by the power connector. Turn the feet/screws clockwise to affix to the bottom to the pedal.



- 23. 9V BATTERY:** The SCR-DI may be powered by 9V battery instead of using a power supply. As seen in the illustration above, a 9V battery fits nicely inside a compartment of the circuit board next to the edge of the pedal.

NOTE: Unplug any cable connected to the pedal's Input when not in use, as the 9V battery will drain (and eventually die).

- 24. -15 dB PAD JUMPER:** Moving the jumper reduces the input signal by 15 dB and compensates for higher output sources. This attenuation is suited for use with basses that have active electronics or high-output pickups.

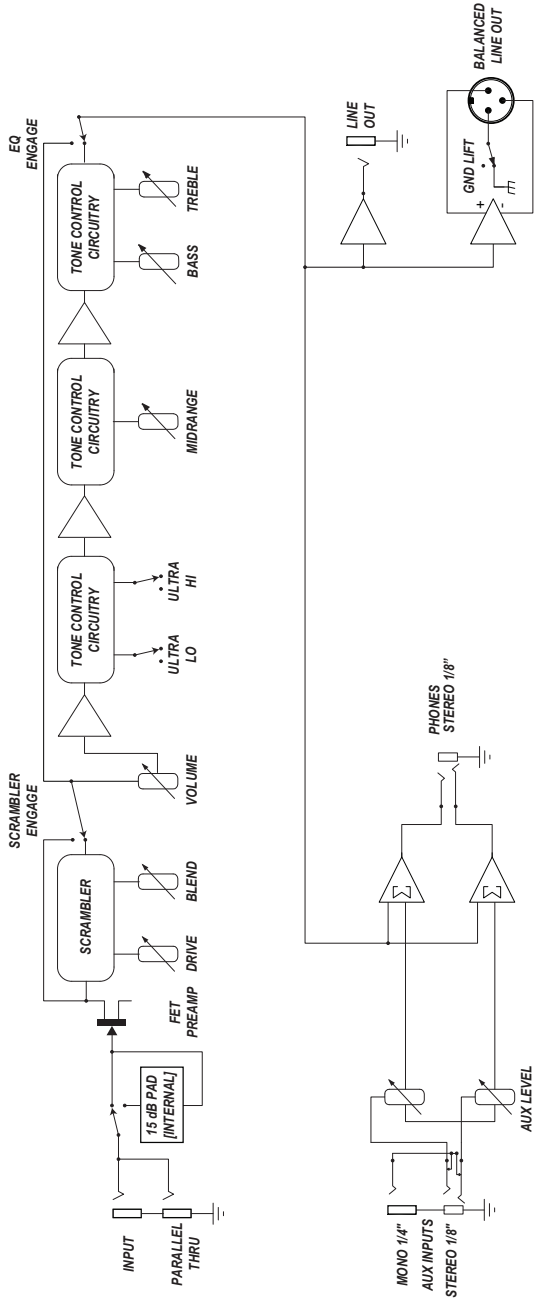
There are two possible positions for the jumper:

- Pins 1-2** (Normal – default), or
- Pins 2-3** (15 dB pad)

Ok, ok... there could be no jumper, but that just sets the pedal to its normal/default (Pins 1-2) setting, with about 1/2 dB loss.

Referencing the diagram above, slide the jumper out, left to right, then back in, right to left, on the pins that you want to use for your instrument.

Block Diagram



Technical Specifications

Signal to Noise Ratio	90 dB (20 Hz–20 kHz, unweighted)
Maximum Gain @ 1 kHz	Input: 24 dB; 45 dB, Scrambler in/max. Aux Input: 27 dB
Tone Controls	Bass: +14/–14 dB @ 40 Hz Mid: +5/–11 dB @ 500 Hz Treble: +16/–15 dB @ 4 kHz
Power Requirements	Internal: 9V Battery External: 9–12V DC @ 100mA
Size (H x W x D)	2.2 in x 7.6 in x 4.3 in 56 mm x 193 mm x 110 mm
Weight	2.6 lb / 1.2 kg (approximately)

The SCR-DI is housed in a corrosion resistant, die-cast zinc chassis, so be sure to clean it with a dry, lint-free cloth. Never spray cleaning agents on the SCR-DI. Avoid abrasive cleansers which would damage the finish.

Ampeg continually develops new products and improves upon existing ones. For this reason, the specifications and information in this manual are subject to change without notice.

Warranty and Support

Visit WWW.AMPEG.COM to...

- (1) ...identify **WARRANTY** coverage provided in your local market. Please keep your sales receipt in a safe place.
- (2) ...**REGISTER** your product.
- (3) ...**CONTACT** Technical Support, or call 818-575-3600.

www.ampeg.com
Yamaha Guitar Group, Inc.
26580 Agoura Road, Calabasas, CA 91302-1921 USA
Rev. A



© 2019 Yamaha Guitar Group, Inc. All rights reserved.

Ampeg, the Ampeg logo, SVT, and Portaflex are trademarks or registered trademarks of Yamaha Guitar Group, Inc. in the U.S. and/or other jurisdictions.