

# PHANTOMIIPro

Two Channel 48 Volt Phantom Power Supply

# ARTcessories

The PHANTOMIIPro is designed to do one thing and do it well. It provides clean, reliable phantom power for one or two condenser microphones in a rugged, compact, and portable unit. Innovative low power circuitry generates the higher voltage necessary for powering microphones while maximizing battery life. The PHANTOMIIPro installs inline between your microphone and a balanced line input on your gear. Balanced lines offer increased immunity to external electrical noise, such as hum. Since a balanced system minimizes induced noise, it is the preferred method of connecting audio gear, especially when long lengths of cable are used.

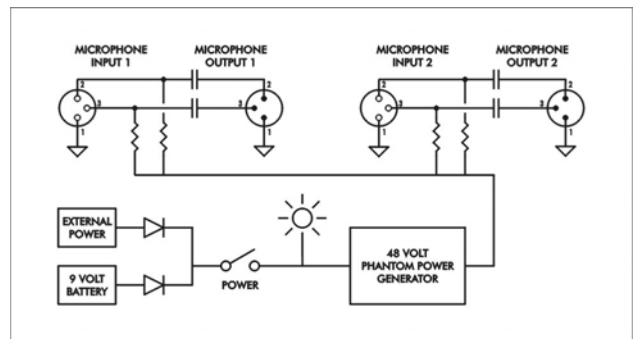
The PHANTOMIIPro is an invaluable tool in application areas including (but not limited to!): home or professional recording studios, live sound, PA, permanent installs, DJ, AV, podcasting and broadcasting. Use it with mixers, audio processors, digital audio workstations or anywhere you need phantom power for your mics.

## FEATURES:

- XLR connectors for balanced inputs and outputs
- Low power, high efficiency CMOS circuitry for long battery life using a standard 9-Volt battery (Alkaline recommended)
- Can be powered with an external power supply for operation from AC mains
- Rugged extruded aluminum case with easily accessible battery compartment
- LED lighted On/Off switch
- Low noise, low distortion circuitry

## SPECIFICATIONS:

Input Connections	Female XLR (2)
Output Connections	Male XLR (2)
Phantom Power Voltage	48 Volts DC typical
Current Limiting Resistors	6.98k Ohms (1%)
Power Source	9V battery (IEC-6LR61, ANSI-1604A type Alkaline recommended) <b>or</b> external supply
Current Drain	7.5-12 V AC/DC, < 150 mA 10 mA - no load 45 mA - typical (full load - 2 microphones)
Battery Life	> 10 hours with Alkaline battery – typical (full load)
Dimensions	1.85 H x 4.6 W x 3.9 D (in) 47 H x 117 W x 99 D (mm)
Weight	0.82 lbs / 0.37 kg



## INSTALLATION and OPERATION:

- 1) Install a battery in the unit by unscrewing the knurled fastener to open the **9V BATTERY** compartment and snapping the connector on to the battery. Alternatively, connect an external power supply to the **EXTERNAL POWER** jack. The PHANTOMIIPro is protected in case both sources of power are applied at the same time.
- 2) Connect the cable from your microphone to the **MICROPHONE INPUT 1** or **2** female XLR connector on the front panel.
- 3) Connect another balanced line cable between the corresponding **MICROPHONE OUTPUT 1** or **2** male XLR connector on the rear panel and the balanced inputs of your audio gear.
- 4) Repeat for a second microphone if desired.
- 5) Turn on the PHANTOMIIPro by pushing in the front panel **POWER** button. The button will light, indicating power is applied to the unit. When using a battery for power, be sure to turn the unit off when not using it in order to maximize battery life.
- 6) If connecting the PHANTOMIIPro to another piece of equipment with its own phantom power, be sure to turn **off** the phantom power on that piece of equipment.