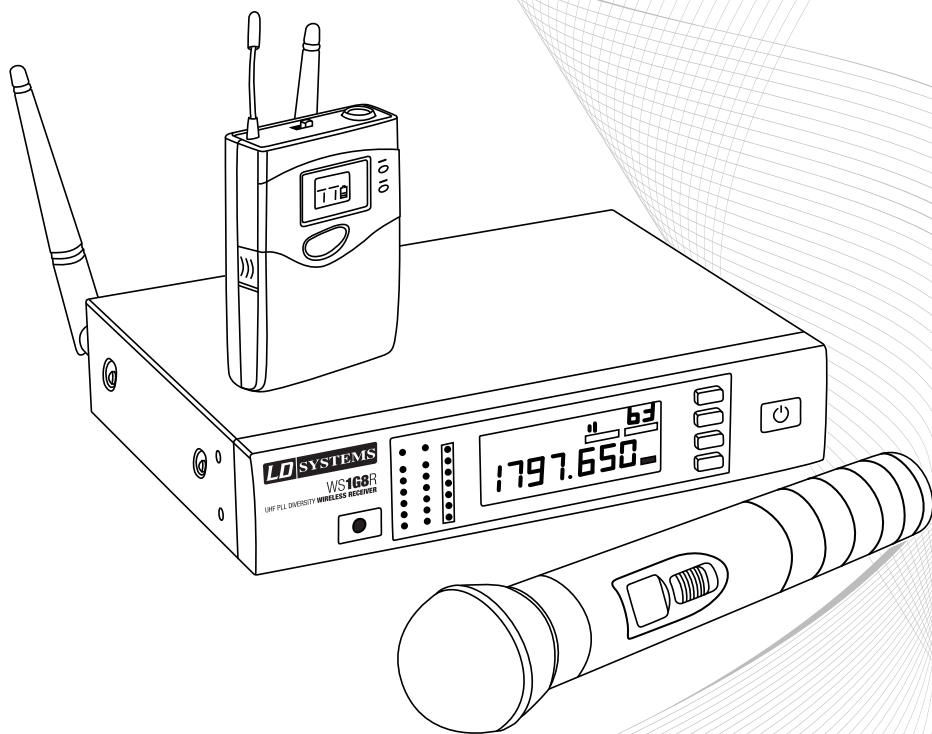


USER'S MANUAL  
BEDIENUNGSANLEITUNG  
MANUEL D'UTILISATION  
MANUAL DE USUARIO  
INSTRUKCJA OBSŁUGI  
MANUALE D' USO



# LD WS1G8

**192** CHANNEL UHF TRUE DIVERSITY WIRELESS SYSTEM



ENGLISH

DEUTSCH

FRANCAIS

ESPAÑOL

POLSKI

ITALIANO

## Thank you for choosing LD Systems!

We have designed this product to operate reliably over many years. Therefore LD Systems guarantees for high quality products with its name and many years of experience as a producer.

Please take a few moments to read these instructions carefully, as we want you to enjoy your new LD Systems products quickly and to the fullest.

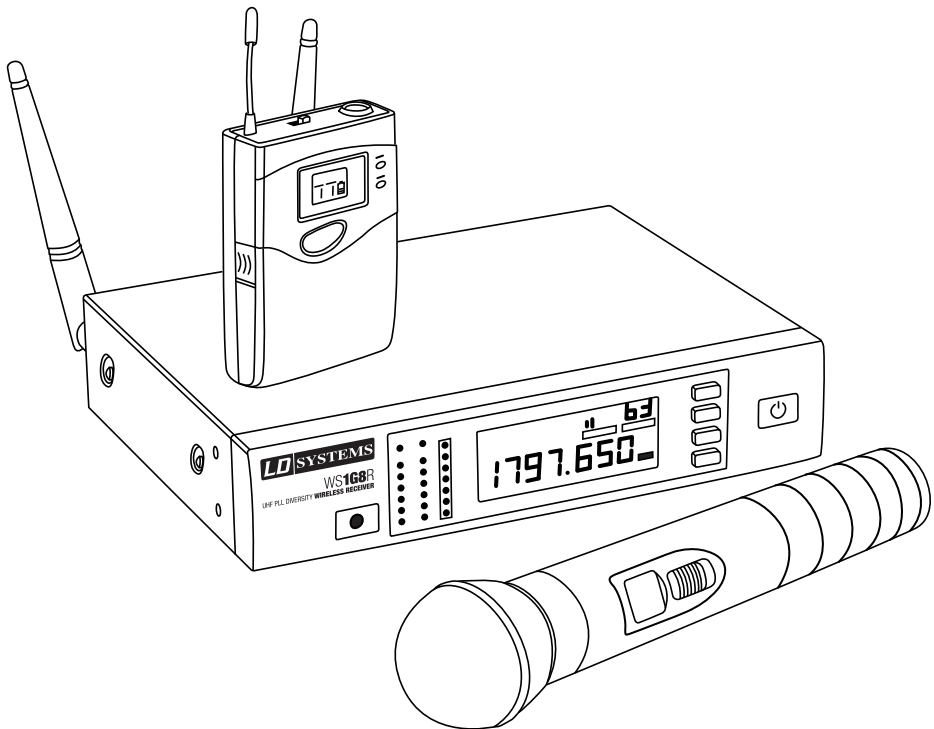
For information about LD Systems check out our website [WWW.LD-SYSTEMS.COM](http://WWW.LD-SYSTEMS.COM)

## Introduction

The LD Systems WS1G8 is an advanced 192 channel true diversity UHF wireless system delivering natural sound with a wide dynamic range, high S/N ratio and low THD in the frequency range from 1785 - 1800 MHz. It provides consistent audio transmission from 50 Hz to 16 kHz. Handheld and bodypack feature convenient LCD indication of channel, group and battery status. Automatic channel scanning, infrared frequency sync and the backlit multifunction receiver display facilitate system setup and operation. The operating time ranges up to 13 hours with high quality AA size batteries.

# LD WS1G8

**192** CHANNEL UHF TRUE DIVERSITY WIRELESS SYSTEM





## PREVENTIVE MEASURES:

1. Please read this information carefully.
2. Keep all information and instructions in a safe place.
3. Please follow the instructions.
4. Please observe all warnings. Don't remove safety instructions or any other information located on the device.
5. Use the device only in the intended manner.
6. Use only stable and appropriate stands and/or mounts when the device is permanently installed. Make certain that wall brackets are firmly secured. Make certain that the unit is installed securely and cannot fall down.
7. When installing please observe the corresponding safety standards for your country.
8. Do not install the device near radiators, heat accumulators, ovens or other sources of heat. Make certain that the device is always installed so that is cooled sufficiently and cannot overheat.
9. Do not place open sources of ignition, e.g., burning candles, on the device.
10. Do not cover ventilation slots.
11. Do not operate the device in the immediate vicinity of water. Do not expose this equipment to combustible materials, liquids or gases.
12. Please make certain that dripping or splashing water cannot get inside the device. Do not put objects filled with fluids, such as vases or drinking vessels, on top of the device.
13. Make certain that objects cannot fall into the device.
14. Use the device only with accessories with which the manufacturer intends the device to be used.
15. CAUTION: If this device has a mains connector equipped with protective earth, it must be connected to a mains socket with a protective ground connection. Never disable the function of the protective ground connection of the included power cord.
16. Do not turn on the device immediately if it was exposed to strong temperature fluctuations (for example after transportation). Moisture and condensation may damage the device. Leave the device switched off until it has reached room temperature.
17. Do not open the device and do not make any changes to the device.
18. Before connecting to mains power, make certain that the mains voltage and the mains frequency are the same as the operating values of the device (see type label). If the device is equipped with a supply voltage selector switch, make certain that the values of the device match the values of the mains power before connecting. If the plug on the included cord does not fit your mains outlet, contact your electrician.
19. Make certain that the power cord is not stepped on. Protect the power cord against pinching, especially at the device plug and the power plug.
20. In order to prevent damage or accidents, for example, due to tripping hazards, check all connections once you have connected the device.
21. When connecting the device, make certain that the power plug remains readily accessible. Always pull out the power plug when the device is not in use or when you clean the device. Disconnect the power cord by pulling the plug not the cable. Never touch the power cable and power adapter with wet hands.
22. Avoid switching the device on and off at short intervals, because it may shorten the durability of the device.
23. IMPORTANT: Replace fuse only by fuse of same type and rating! If fuse blows repeatedly please contact authorized service center!
24. In order to disconnect the device completely from the mains voltage, the power plug must be unplugged.
25. If your device is equipped with a Volex power connector, the matching Volex device plug must be unlocked in order to disconnect it. This also means that a tug on the power cord can pull the device out of place, thus causing personal injuries and/or property damage. Thus please make certain to route your cables carefully.

ENGLISH

DEUTSCH

FRANCAIS

ESPAÑOL

POLSKI

ITALIANO

## PREVENTIVE MEASURES:

ENGLISH

DEUTSCH

FRANCAIS

ESPAÑOL

POLSKI

ITALIANO

26. If there is a risk of lightning strike or during extended periods of disuse, unplug the power plug.
27. During transport, make certain that the equipment being transported cannot fall down and possibly cause personal injuries and/or property damage.
28. If your device no longer works properly, if it has been exposed to liquids or an object has fallen inside it or if it has been damaged in some other manner, turn the device off immediately and unplug the power plug. This device should be repaired only by authorized experts.
29. Use only a dry cloth to clean the device.
30. Comply with all of the disposal laws that are applicable in your country. During disposal, please separate plastic and paper/cardboard.
31. Plastic bags must be kept out of the reach of children.



### CAUTION:

To reduce the risk of electric shock, do not remove cover (or back). No user serviceable parts inside. Refer servicing to qualified personnel.



The lightning flash with arrowhead symbol within an equilateral triangle is intended to alert the user to the presence of uninsulated "dangerous voltage" within the product's enclosure that may be of sufficient magnitude to constitute a risk to persons.



The exclamation mark within an equilateral triangle is intended to alert the user to the presence of important operating and maintenance (servicing) instructions in the literature accompanying the appliance.

### CAUTION! HIGH VOLUME!

This product is designed for professional use. Therefore the commercial use of this equipment is liable to the rules and regulations of the Accident Prevention & Insurance Association of your industry sector. Adam Hall as a manufacturer is bound to inform you formally about the existence of eventual sanitary risks.

Risk of hearing damage due to prolonged exposure to excessive volumes: When using this product high sound pressure levels (SPL) can be generated, sufficient to cause permanent hearing damage to performers, production crew and audience members. Caution should be taken to avoid prolonged exposure SPL in excess of 90 dB.



## SYSTEM COMPONENTS & INSTALLATION:

ENGLISH

### **ALL SINGLE RECEIVER SYSTEMS INCLUDE**

- 1 x WS1G8 single receiver
- 1 x WS1G8 transmitter (handheld or bodypack with microphone / guitar cable)
- 2 x antenna
- 1 x power adapter
- 2 x AA size battery
- 1 x audio cable
- 1 x user's manual
- 1 x carrying case

### **ALL DOUBLE RECEIVER SYSTEMS INCLUDE**

- 1 x WS1G8 double receiver
- 2 x WS1G8 transmitter (handheld or bodypack with microphone / guitar cable)
- 2 x antenna
- 1 x power adapter
- 4 x AA size battery
- 1 x audio cable
- 1 x rack kit (2 x rack mount brackets, 2 x TNC cable, 2 x TNC adapter, 2 x dummy plates, 1 set of screws)
- 1 x user's manual
- 1 x carrying case

### **INSTALLATION**

For best possible reception place the receiver at a minimum height of 1 m and align the antennas upwards in V-shape. Attend that transmitters and receivers are in direct line-of-sight and make sure that there is a minimum distance of 50 cm between receiving antennas and metal objects. Do not position receivers near digitally controlled devices.

DEUTSCH

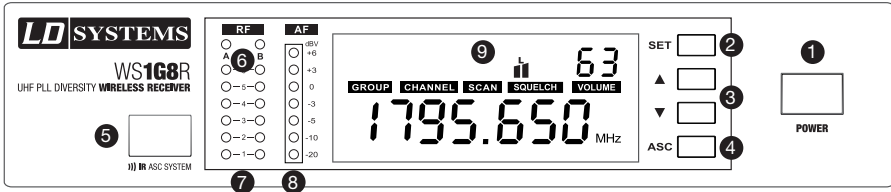
FRANCAIS

ESPAÑOL

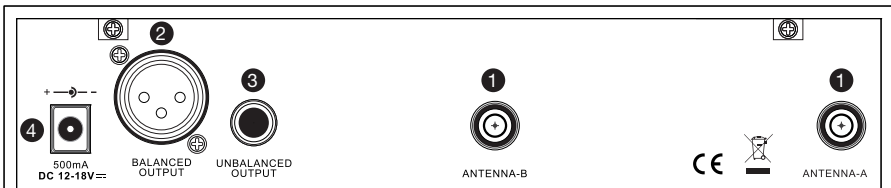
POLSKI

ITALIANO

## WS1G8R FRONT- / BACK PANEL:



- 1 POWER ON / OFF**  
Push and hold for 1 second
- 2 SET BUTTON**  
Push and hold for 1 second to access menu items
- 3 VOLUME / VALUE**  
Up and Down buttons
- 4 ASC BUTTON**  
Frequency sync via infrared
- 5 INFRARED INTERFACE**
- 6 ANTENNA A / B LEDS**  
Indicates whether antenna input A or B is active
- 7 6 SEGMENT RF (RADIO FREQUENCY) SIGNAL LEVEL METER ANTENNA INPUT A / B.**
- 8 7 SEGMENT AUDIO LEVEL METER**
- 9 ILLUMINATED MULTIFUNCTIONAL DISPLAY**



- 1 TNC SOCKETS ANTENNA A / B.**
- 2 BALANCED XLR OUTPUT.**
- 3 UNBALANCED 6.3 MM JACK OUTPUT.**
- 4 DC SOCKET. ONLY USE THE SUPPLIED POWER ADAPTER.**

# WS1G8R2 FRONT- / BACK PANEL:

ENGLISH

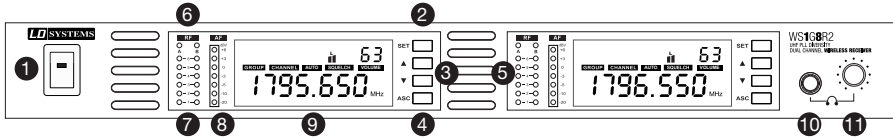
DEUTSCH

FRANCAIS

ESPAÑOL

POLSKI

ITALIANO



**1 POWER ON / OFF.**

**2 SET BUTTON**

Push and hold for 1 second to access menu items

**3 VOLUME / VALUE**

Up and Down buttons

**4 ASC BUTTON**

Frequency sync via infrared

**5 INFRARED INTERFACE**

**6 ANTENNA A / B LEDS**

Indicates whether antenna input A or B is active

**7 6 SEGMENT RF (RADIO FREQUENCY) SIGNAL LEVEL METER ANTENNA INPUT A / B**

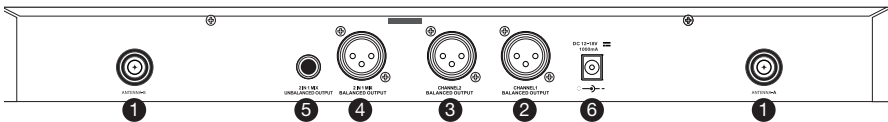
**8 7 SEGMENT AUDIO LEVEL METER**

**9 ILLUMINATED MULTIFUNCTIONAL DISPLAY**

**10 HEADPHONES OUTPUT**

6.3 mm stereo jack.

**11 HEADPHONES VOLUME.**



**1 TNC SOCKETS ANTENNA A / B**

**2 BALANCED XLR OUTPUT CHANNEL 1**

**3 BALANCED XLR OUTPUT CHANNEL 2**

**4 BALANCED XLR MIX OUTPUT**

This output provides a mix of both receivers audio signals. For individual volume control adjust the volume on the front panel of each receiver separately.

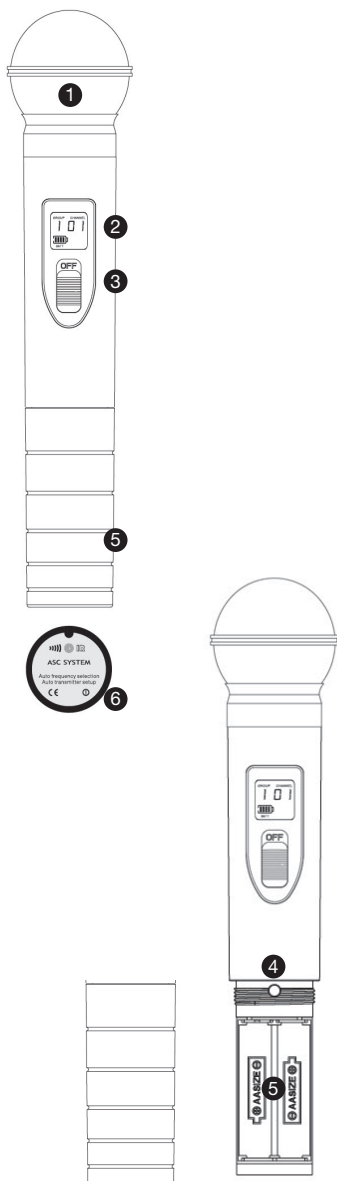
**5 UNBALANCED MIX 6.3 MM JACK OUTPUT**

This output provides a mix of both receivers audio signals. For individual volume control adjust the volume on the front panel of each receiver separately.

**6 DC SOCKET. ONLY USE THE SUPPLIED POWER ADAPTER**



## HANDHELD MICROPHONE:



### 1 MICROPHONE HEAD

### 2 BACKLIT LCD

Displays group, channel and a 4 segment battery status indicator. If the battery symbol blinks, the batteries need to be replaced immediately.

**NOTE:** Backlight will turn off automatically after a brief moment.

### 3 ON / OFF SWITCH

### 4 GAIN CONTROL

Handle carefully! Use only suitable screwdriver! Turn left to decrease gain, turn right to increase gain.

### 5 BATTERY COMPARTMENT

To replace batteries, unscrew cover counter-clockwise, remove batteries, insert 2 new AA size batteries (direction as shown in the compartment) and screw the cover onto the handheld microphone clockwise. Make shure that the cover is screwed tightly in order to maintain safe operation.

### 6 IR INFRARED INTERFACE

Located on the bottom side of the handheld microphone.

For frequency synchronisation push the ASC button on the receiver (the ASC symbol in the display blinks) and hold the (switched on) transmitter with its infrared interface facing direct to the infrared interface of the receiver in a distance between 5 and 20 cm.

## BODYPACK TRANSMITTER:

### 1 ON / OFF AND MUTE SWITCH

Push and hold for 2 seconds to switch transmitter on or off.

Press briefly to activate mute function. Press again briefly to deactivate mute function.

### 2 BACKLIT LCD

Displays group, channel and a 3 segment battery status indicator. If the battery symbol and the green ASC LED blink, the batteries need to be replaced immediately. Note: Backlight will turn off automatically after a brief moment.

### 3 ANTENNA

### 4 ASC LED

Green LED lights up continuously if power is switched on.

Green LED blinks during frequency synchronisation.  
Green LED blinks when batteries are low.

### 5 MUTE LED

Lights up red when mute function is activated.

### 6 BATTERY COMPARTMENT

To replace batteries slightly press on marked positions on left and right side of the cover and open forward. Remove batteries, insert 2 new AA size batteries (direction as shown in the compartment) and close the cover.

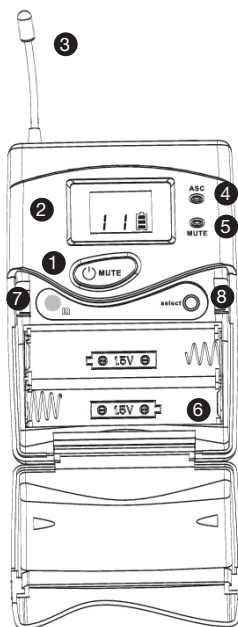
### 7 IR INFRARED INTERFACE

For frequency synchronisation open cover and push the ASC button on the receiver (the ASC symbol in the display blinks) and hold the (switched on) transmitter with its infrared interface facing direct to the infrared interface of the receiver in a distance between 5 and 20 cm.

### 8 SELECT

Manual setting of group and channel.

Open cover, press and hold button until only group number appears. Release button. Group number blinks. Now press button briefly to change value step by step until desired group appears. Carry out the same procedure to change channel number. The display will return to standard after a short period of time of non-activity automatically.



# BODYPACK TRANSMITTER:

ENGLISH

DEUTSCH

FRANCAIS

ESPAÑOL

POLSKI

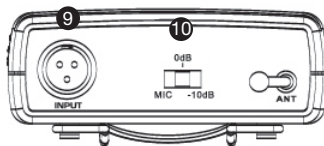
ITALIANO

## 9 INPUT

3-pin mini XLR input for the supplied microphone or guitar cable.

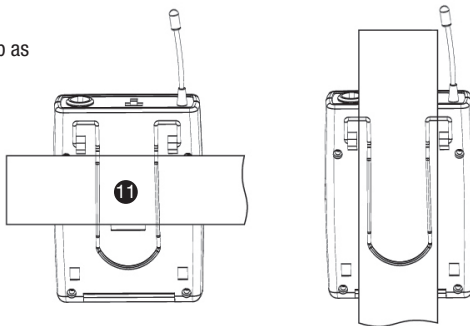
## 10 GAIN SWITCH

Select the appropriate gain setting.  
 MIC = microphone  
 0dB = guitar with passive pickup  
 -10dB = guitar with active pickup  
 If the audio signal overloads the receiver, switch the gain to the next lower setting.

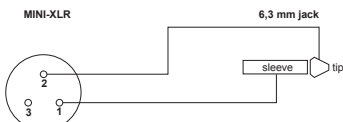


## 11 BELT CLIP

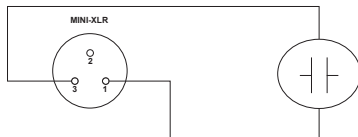
Attach the bodypack to a belt or guitar strap as shown below.



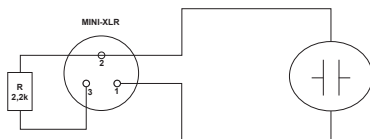
## BODYPACK MINI-XLR PIN ASSIGNMENT



Guitar & Bass and other high impedance sources



Headset, lavalier or wind instrument microphone



Headset, lavalier or wind instrument microphone with low sensitivity. 2,2 kOhm resistor soldered on pin 2 and pin 3 increases gain.

# SYSTEM SETTINGS:

ENGLISH

DEUTSCH

FRANCAIS

ESPAÑOL

POLSKI

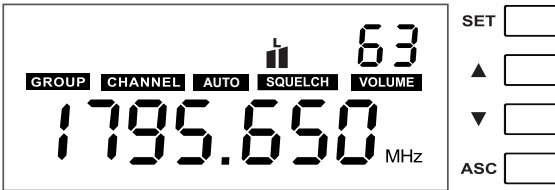
ITALIANO

## STANDARD DISPLAY

The standard display shows the preselected frequency, squelch setting and volume.

### VOLUME

Use the Up and Down buttons to set the desired volume (00 - 63).

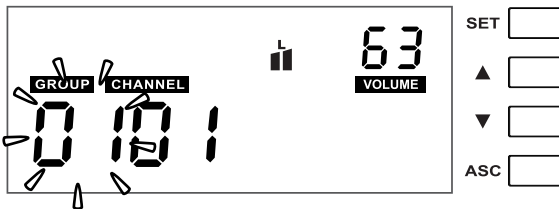


## GROUP

Push the SET button and hold it for 1 second. GROUP and first two digits blink. Push the Up and Down buttons to set the desired group (01 - 16). Press SET again to confirm.

The display will return to standard after a short period of time of non-activity automatically.

**NOTE:** Each of the groups 01 - 16 consists of 12 channels, each corresponding to a specific frequency.

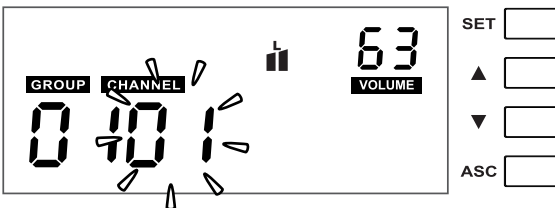


## CHANNEL

Push the SET button, hold it for 1 second and press SET again. CHANNEL and 2 digits below blink. Push the Up and Down buttons to set the desired channel (01 - 12). Press SET again to confirm.

The display will return to standard after a short period of time of non-activity automatically.

Once a specific frequency (group and channel) has been selected, the transmitter (handheld or bodypack) has to be synchronized to the same frequency (group and channel) via the ASC function.



# SYSTEM SETTINGS:

- ENGLISH
- DEUTSCH
- FRANCAIS
- ESPAÑOL
- POLSKI
- ITALIANO

## CHANNEL SCAN FUNCTION

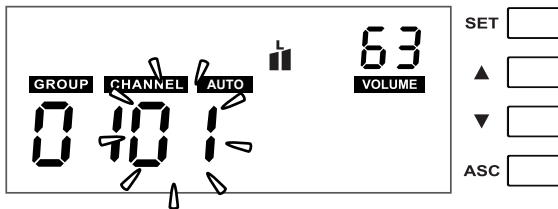
Push the SET button, hold it for 1 second and press SET again twice. CHANNEL, AUTO and 2 digits below blink. Push the Up or Down button to start the channel scan process. After scanning is complete, the display shows the automatically selected interference free channel.

When using multi-systems and frequency selection is done by the channel scan function, already set up systems should remain switched on for further channel scan processes. The frequency scan function relates to the frequency presets in the pre-selected group (01 - 16).

The accuracy of the scan result depends on the environment and the number of simultaneously used wireless systems. If the scan function does not recognize an already used frequency under adverse conditions, start the scan process again until an open frequency has been located.

Note: Each frequency channel must come from the same group (01 - 16) when using multi-systems.

Important: Do not operate more than one wireless system on the same frequency at the same time and location. This causes unwanted loud noise due to radio interference.



## SQUELCH

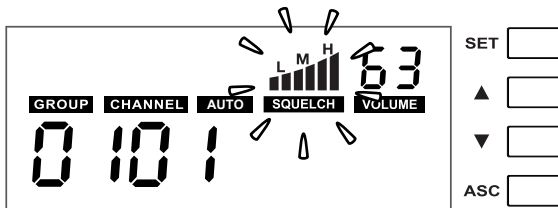
The squelch function eliminates unpleasant noise when the transmitter is switched off. It also suppresses sudden noise when there is no longer sufficient transmission power received by the receiver.

Adjust the squelch (with transmitter switched off) to the lowest possible setting that suppresses unwanted noise. Recommended setting for standard applications is „L“. Setting “H” can cause smaller distance of transmission path under unfavourable conditions.

Push the SET button, hold it for 1 second and press SET again 3 times. SQUELCH and the symbols above blink. Push the Up and Down buttons to adjust the desired setting (L = Low, M = Mid, H = High). Press SET again to confirm.

The display will return to standard after a short period of time of non-activity automatically.

CAUTION: Set the volume of the connected PA system to a minimum before adjusting the squelch function!



# SYSTEM SETTINGS:

ENGLISH

DEUTSCH

FRANCAIS

ESPAÑOL

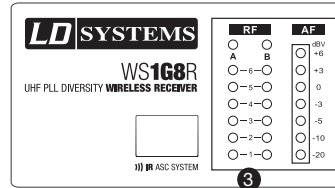
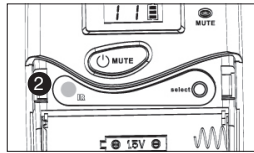
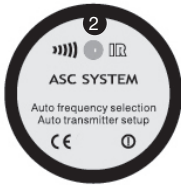
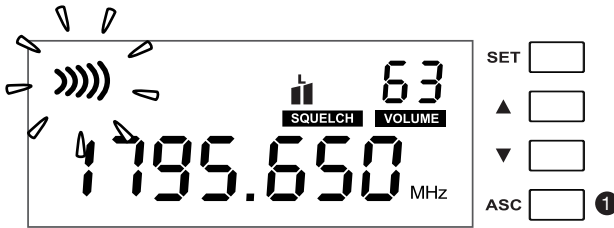
POLSKI

ITALIANO

## ASC (frequency synchronisation via infrared)

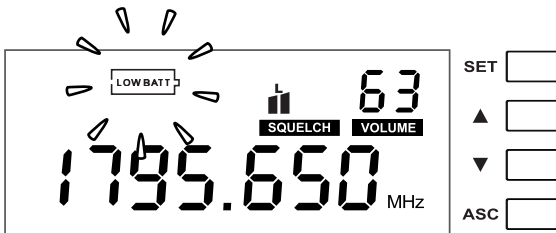
The transmission frequency of a wireless system has to be the same in both transmitter and receiver. Once a specific frequency (group and channel) has been selected, the transmitter (handheld or bodypack) has to be synchronized to the same frequency (group and channel) via the ASC function.

Push the ASC button **1** on the receiver (the ASC symbol in the display blinks) and hold the (switched on) transmitter with its infrared interface **2** facing direct to the infrared interface of the receiver in a distance between 5 and 20 cm. After a short moment the synchronisation process is done and the RF signal level meter **3** of the receiver indicates a signal.



## LOW BATT (low batteries)

If the „LOW BATT“ indicator blinks in the receiver display, the batteries in the transmitter must be replaced immediately..



## TROUBLE SHOOTING:

PROBLEM	DISPLAY	SOLUTION
No sound or volume too low.	Transmitter: Display is turned off.	Make certain that transmitter is turned on. Make sure that batteries are ok.
	Receiver: Display is turned off.	Check power connection. Turn power on.
	Receiver: RF indicator is off. Transmitter: Power is turned on.	Check up that transmitter and receiver are set to the same frequency.  Reduce distance between transmitter and receiver. Attend that transmitter and receiver are in direct line-of-sight.  Make certain that antennas of receiver are connected and positioned upwards in V-shape.
	Receiver: RF indicator is illuminated. Bodypack transmitter: Display is turned on, Mute LED lights up.	Deactivate mute function.
	Receiver: RF indicator is illuminated.	Increase volume of receiver. Increase gain of transmitter. Check audio connection of receiver and mixing board. Check mixing board settings.
Distortion or unwanted noise.	Receiver: RF indicator is illuminated.	Remove possible reasons of interference (digitally controlled units, other wireless systems in same location). Set wireless system to different transmission frequency.
Distorted sound.	Transmitter: Battery symbol blinks.	Replace batteries
	Receiver: AF level meter too high.	Reduce gain of transmitter.

ENGLISH

DEUTSCH

FRANCAIS

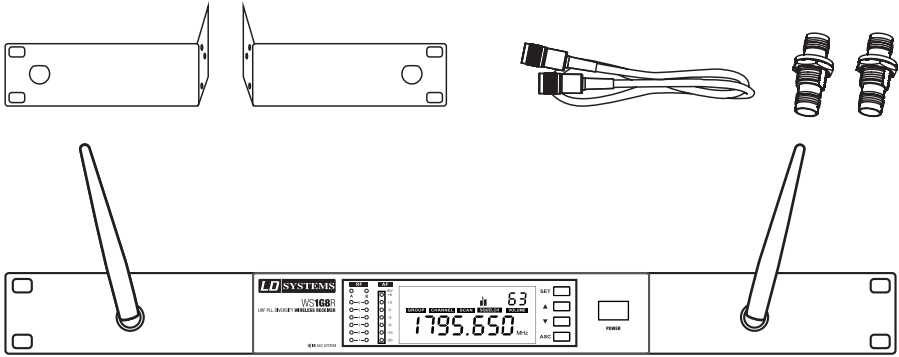
ESPAÑOL

POLSKI

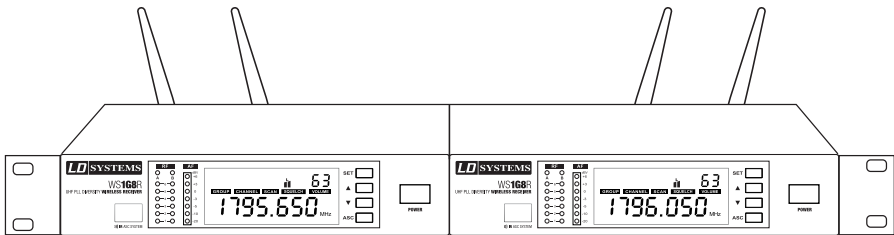
ITALIANO

## RACK INSTALLATION:

**RACKMOUNT KIT LDWS100RK (OPTIONAL) FOR 1 X LDWS1G8 RECEIVER CONSISTING OF:  
2 X RACK BRACKETS, 2 X TNC CABLES, 2 X TNC ADAPTERS, SET OF SCREWS**



**RACKMOUNT KIT LDWS100RK2 (OPTIONAL) FOR 2 X LDWS1G8 RECEIVER CONSISTING OF:  
1 X 19" RACK ADAPTER, SET OF SCREWS**





## SPECIFICATIONS:

ENGLISH

DEUTSCH

FRANCAIS

ESPAÑOL

POLSKI

ITALIANO

RECEIVER		
Model name:	LDWS1G8R	LDWS1G8R2
Receiver type:	true diversity	
Modulation:	FM	
Frequency range:	1785 - 1800 MHz	
Channels:	192 (16 x 12)	
Groups:	16	
Antenna connectors:	2 x TNC	
Frequency response:	50 - 16.000 Hz	
Squelch:	Low, Mid, High	
Transmission optimisation:	Pilot tone	
THD:	<0.8%	
Signal-to-noise ratio:	>90 dB	
Balanced output:	XLR	2 x XLR
Balanced mix output:		XLR
Unbalanced output:	6.3 mm jack	
Unbalanced mix output:		6.3 mm jack
Headphones output:		6.3 mm stereo jack
Audio output level (balanced):	+6 dBu	
Audio output level (unbalanced):	0 dBu	
Controls:	power on/off, set, value up, value down, ASC	power on/off, 2 x set, 2 x value up, 2 x value down, 2 x ASC, headphones volume
Indicators:	multifunctional LC-display, HF-level antenna A/B, audio level	2 x multifunctional LC-display, 2 x HF-level antenna A/B, 2 x audio level
Operating voltage:	12 - 18 V DC, 500 mA	12 - 18 V DC, 1000 mA
Operating temperature range:	-10°C ... 45°C	
Relative humidity in operation:	25% ... 85%	
Dimensions (W x H x D):	212 x 45 x 163 mm	483 x 45 x 163
Weight:	0,92 kg	2,24 kg
Accessories included:	power adapter, 2 x antenna, audio cable	power adapter, 2 x antenna, audio cable, rack kit
Features:	channel scan function, infrared frequency synchronisation	

## SPECIFICATIONS:

### HANDHELD TRANSMITTER

Model name:	LDWS1G8MD	LDWS1G8MC
Modulation:	FM	
Frequency range:	1785 - 1800 MHz	
Channels:	192 (16 x 12)	
Groups:	16	
Microphone type:	dynamic	condenser
Polar pattern:	cardioid	cardioid
Frequency response:	50 - 16.000 Hz	
THD:	<0.8%	
Signal-to-noise ratio:	>90 dB	
RF output power:	10 mW	
Controls:	Power on/off	
Indicators:	multifunctional LC-display	
Power supply:	2 x AA battery	
Operating time:	up to 13 h (depending on batteries)	
Operating temperature range:	-10°C ... 45°C	
Relative humidity range in operation:	25% ... 85%	
Dimensions (L x Ø):	245 x 51 mm	
Weight:	0,34 kg	
Accessories included:	2 x AA battery	
Features:	infrared frequency synchronisation	

## SPECIFICATIONS:

ENGLISH

DEUTSCH

FRANCAIS

ESPAÑOL

POLSKI

ITALIANO

BODYPACK TRANSMITTER	
Model name:	LDWS1G8BP
Modulation:	FM
Frequency range:	1785 - 1800 MHz
Channels:	192
Groups:	16
Input:	3-pin mini-XLR
Frequency response:	50 - 16.000 Hz
THD:	<0.8%
Signal-to-noise ratio:	>90 dB
RF output power:	10 mW
Controls:	Power / Mute, select, triple gain switch
Indicators:	multifunctional LC-display, ASC LED, Mute LED
Power supply:	2 x AA batteries
Operating time:	up to 13 h (depending on batteries)
Operating temperature range:	-10°C ... 45°C
Relative humidity range in operation:	25% ... 85%
Dimensions (W x H x D):	65 x 90 x 24 mm
Weight (without batteries):	0,09 kg
Accessories included:	2 x AA battery
Features:	infrared frequency synchronisation

## SPECIFICATIONS:

ENGLISH

DEUTSCH

FRANCAIS

ESPAÑOL

POLSKI

ITALIANO

MICROPHONE		
Model name:	LDWS100MH1	LDWS100MH3
Microphone type:	headset	headset
Capsule:	back-electret condenser	back-electret condenser
Polar pattern:	cardioid	cardioid
Frequency response:	20 - 20.000 Hz	70 - 16.000 Hz
Connector:	3-pin mini-XLR	3-pin mini-XLR
Accessories included:	foam windscreen	foam windscreen
Features:		

LDHSAE1	LDWS100ML	LDWS1000MW
headset	lavalier microphone	wind instrument microphone
back-electret condenser	back-electret condenser	back-electret condenser
bi-directional	cardioid	cardioid
80 - 16.000 Hz	20 - 20.000 Hz	50 - 18.000 Hz
3-pin mini-XLR	3-pin mini-XLR	3-pin mini-XLR
foam windscreen	foam windscreen	foam windscreen
water-repellent		

GUITAR CABLE	
Model name:	LDWS100GC
Connector 1:	3-pin mini-XLR
Connector 2:	6.3 mm jack
Length:	1.5 m

## MANUFACTURER'S DECLARATIONS:

ENGLISH

DEUTSCH

FRANCAIS

ESPAÑOL

POLSKI

ITALIANO

### LIMITED WARRANTY

This Limited Warranty applies to the Adam Hall, LD Systems, Defender, Palmer, Cameo and Eminence branded products.

The statutory warranty rights towards the seller are not affected by this guarantee. In fact, it justifies, additional independent warranty claims towards Adam Hall.

Adam Hall warrants that the Adam Hall product you have purchased from Adam Hall or from an Adam Hall authorized reseller is free from defects in materials or workmanship under normal use for a period of 2 or 3 years from the date of purchase.

The Limited Warranty Period starts on the date of purchase. In order to receive warranty services you are required to provide proof of the purchase date. Your dated sales or delivery receipt, showing the date of purchase, is your proof of the purchase date. Should products of the brands named above be in need of repair within the limited warranty period, you are entitled to warranty services according to the terms and conditions stated in this document.

This Limited Warranty extends only to the original purchaser of this Adam Hall branded product and is not transferable to anyone who obtains ownership of the Adam Hall branded product from the original purchaser. During the Limited Warranty Period, Adam Hall will repair or replace the defective component parts or the product. All component parts or hardware products removed under this Limited Warranty become the property of Adam Hall.

In the unlikely event that your Adam Hall product has a recurring failure, Adam Hall, at its discretion, may elect to provide you with a replacement unit of Adam Hall's choice that is at least equivalent to your Adam Hall branded product in hardware performance.

Adam Hall does not warrant that the operation of this product will be uninterrupted or error-free. Adam Hall is not responsible for damage that occurs as a result of your failure to follow the instructions included with the Adam Hall branded product.

This Limited Warranty does not apply,

- to wear parts (e.g. accumulator)
- to any product from which the serial number has been removed or that has been damaged or rendered defective as the result of an accident
- in case of, misuse, abuse, or other external causes
- by operation outside the usage parameters stated in the user's documentation shipped with the product by use of spare parts not manufactured or sold by Adam Hall
- by modification or service by anyone other than Adam Hall

These terms and conditions constitute the complete and exclusive warranty agreement between you and Adam Hall regarding the Adam Hall branded product you have purchased.



## MANUFACTURER'S DECLARATIONS:

### LIMITATION OF LIABILITY

If your Adam Hall branded hardware product fails to work as warranted above, your sole and exclusive remedy shall be repair or replacement. Adam Halls' maximum liability under this limited warranty is expressly limited to the lesser of the price you have paid for the product or the cost of repair or replacement of any hardware components that malfunction in conditions of normal use.

Adam Hall is not liable for any damages caused by the product or the failure of the product, including any lost profits or savings or special, incidental, or consequential damages. Adam Hall is not liable for any claim made by a third party or made by you for a third party.

This limitation of liability applies whether damages are sought, or claims are made, under this Limited Warranty or as a tort claim (including negligence and strict product liability), a contract claim, or any other claim. This limitation of liability cannot be waived or amended by any person. This limitation of liability will be effective even if you have advised Adam Hall of an authorized representative of Adam Hall of the possibility of any such damages. This limitation of liability however, will not apply to claims for personal injury.

This Limited Warranty gives you specific legal rights. You may also have other rights that may vary from state to state or from country to country. You are advised to consult applicable state or country laws for a full determination of your rights.

### REQUESTING WARRANTY-SERVICE

To request warranty service for the product, contact Adam Hall or the Adam Hall authorized reseller from which you purchased the product.

### EC DECLARATION OF CONFORMITY

These devices meet the essential requirements and further relevant specifications of Directives 1999/5/EC (R & TTE), 2004/108/EC (EMC) and 2006/95/EC (LVD). For more information, see [www.adamhall.com](http://www.adamhall.com).

### CORRECT DISPOSAL OF THIS PRODUCT (ELECTRICAL WASTE)

(Applicable in the European Union and other European countries with separate collection systems)



This marking shown on the product or its literature, indicates that it should not be disposed with other household wastes at the end of its working life. To prevent possible harm to the environment or human health from uncontrolled waste disposal, please separate this from other types of wastes and recycle it responsibly to promote the sustainable reuse of material resources.

Household users should contact either the retailer where they purchased this product, or their local government office, for details on where and how they can recycle this item in an environmentally friendly manner.

Business users should contact their supplier and check the terms and conditions of the purchase contract. This product should not be mixed with other commercial wastes for disposal.

## WEEE-DECLARATION



Your LD-Systems product was developed and manufactured with high quality materials and components which can be recycled and/or reused. This symbol indicates that electrical and electronic equipment must be disposed of separately from normal waste at the end of its operational lifetime.

Please dispose of this product by bringing it to your local collection point or recycling centre for such equipment. This will help to protect the environment in which we all live.

## BATTERIES AND ACCUMULATORS



The supplied batteries or rechargeable batteries can be recycled. Please dispose of them as special waste or return them to your specialist dealer. In order to protect the environment, only dispose exhausted batteries.

## ECOLOGY AND ENERGY SAVING

Saving electric energy helps to protect the environment. Please turn off all electrical equipment when it is not in use. To avoid power consumption in idle mode, disconnect all electrical equipment from mains when not in use.

Adam Hall GmbH, all rights reserved. The technical data and the functional product characteristics can be subject to modifications. The photocopying, the translation, and all other forms of copying of fragments or of the integrality of this user's manual is prohibited.



ENGLISH

DEUTSCH

FRANCAIS

ESPAÑOL

POLSKI

ITALIANO

## Sie haben die richtige Wahl getroffen!

Diese LD Systems Produkte werden Sie lange Jahre durch Zuverlässigkeit, Wirtschaftlichkeit und einfaches Handling überzeugen. Dafür garantiert LD Systems mit seinem Namen und seiner in vielen Jahren erworbenen Kompetenz als Hersteller hochwertiger Geräte.

Nehmen Sie sich nun ein paar Minuten Zeit, diese Anleitung zu lesen. Wir möchten, dass Sie einfach und schnell in den Genuss dieser Technik kommen.

Mehr Informationen zu LD SYSTEMS finden Sie auf unserer Internetseite [WWW.LD-SYSTEMS.COM](http://WWW.LD-SYSTEMS.COM)

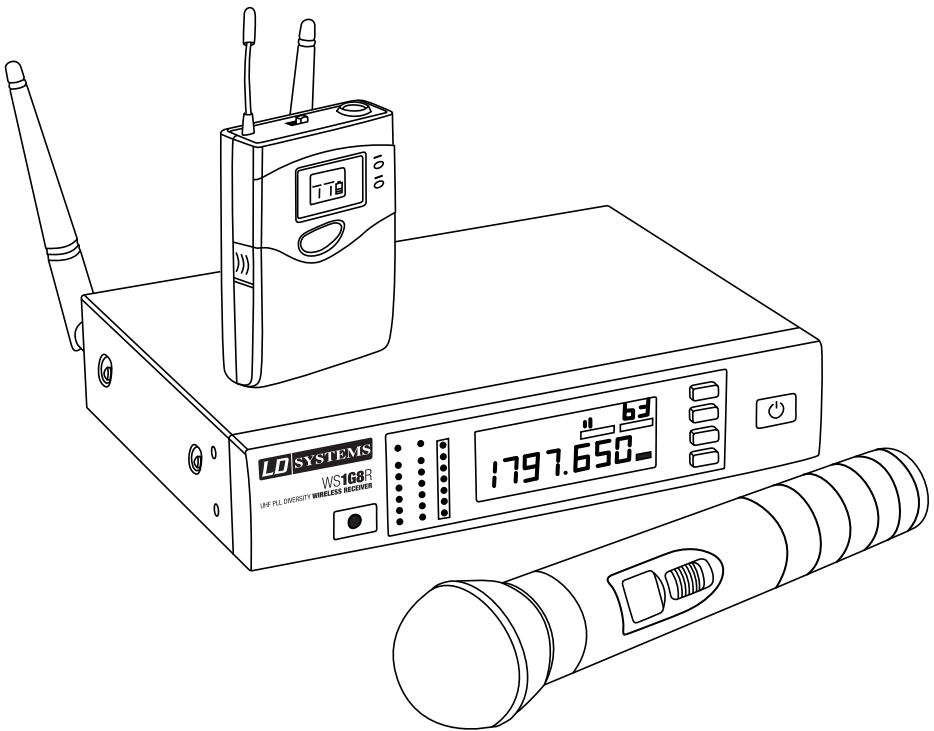
## Einführung

Das neue LD Systems WS1G8 ist ein professionelles True Diversity Funksystem mit 192 UHF-Kanälen im Frequenzbereich 1785 - 1800 MHz und bietet einen natürlichen Klang mit großem Dynamikumfang, hohem Rauschabstand und einem niedrigen Klirrfaktor. Das System garantiert eine verlässliche Audioübertragung mit einem Frequenzbereich von 50 Hz bis 16 kHz. Sowohl die Handgeräte als auch der Taschensender verfügen über eine praktische LC-Anzeige für den Kanal, die Gruppe und den Batteriestatus. Die automatische Kanalsuche, die IR-Sendersynchronisierung und das beleuchtete Multifunktions-Display am Empfänger sorgen für einen einfachen Aufbau und Betrieb. Mit hochwertigen Batterien (AA) werden Betriebszeiten von bis zu 13 Stunden erreicht.



# LD WS1G8

**192-KANAL UHF TRUE DIVERSITY FUNKMIKROFON-SYSTEM**



ENGLISH

DEUTSCH

FRANCAIS

ESPAÑOL

POLSKI

ITALIANO

## SICHERHEITSHINWEISE:

1. Lesen Sie diese Anleitung bitte sorgfältig durch.
  2. Bewahren Sie alle Informationen und Anleitungen an einem sicheren Ort auf.
  3. Befolgen Sie die Anweisungen.
  4. Beachten Sie alle Warnhinweise. Entfernen Sie keine Sicherheitshinweise oder andere Informationen vom Gerät.
  5. Verwenden Sie das Gerät nur in der vorgesehenen Art und Weise.
  6. Verwenden Sie ausschließlich stabile und passende Stative bzw. Befestigungen (bei Festinstallationen). Stellen Sie sicher, dass Wandhalterungen ordnungsgemäß installiert und gesichert sind. Stellen Sie sicher, dass das Gerät sicher installiert ist und nicht herunterfallen kann.
  7. Beachten Sie bei der Installation die für Ihr Land geltenden Sicherheitsvorschriften.
  8. Installieren und betreiben Sie das Gerät nicht in der Nähe von Heizkörpern, Wärmespeichern, Öfen oder sonstigen Wärmequellen. Sorgen Sie dafür, dass das Gerät immer so installiert ist, dass es ausreichend gekühlt wird und nicht überhitzen kann.
  9. Platzieren Sie keine Zündquellen wie z. B. brennende Kerzen auf dem Gerät.
  10. Die Lüftungsschlitze dürfen nicht blockiert werden
  11. Betreiben Sie das Gerät nicht in unmittelbarer Nähe von Wasser. Bringen Sie das Gerät nicht mit brennbaren Materialien, Flüssigkeiten oder Gasen in Berührung.
  12. Sorgen Sie dafür, dass kein Tropf- oder Spritzwasser in das Gerät eindringt. Stellen Sie keine mit Flüssigkeit gefüllten Behältnisse wie Vasen oder Trinkgefäße auf das Gerät.
  13. Sorgen Sie dafür, dass keine Gegenstände in das Gerät fallen können.
  14. Betreiben Sie das Gerät nur mit dem vom Hersteller empfohlenen und vorgesehenen Zubehör.
  15. **ACHTUNG:** Wenn das Stromkabel des Geräts mit einem Schutzkontakt ausgestattet ist, muss es an einer Steckdose mit Schutzleiter angeschlossen werden. Deaktivieren Sie niemals den Schutzleiter des mitgelieferten Kaltgerätekabels.
  16. Schalten Sie das Gerät nicht sofort ein, wenn es starken Temperaturschwankungen ausgesetzt war (beispielsweise nach dem Transport). Feuchtigkeit und Kondensat könnten das Gerät beschädigen. Schalten Sie das Gerät erst ein, wenn es Zimmertemperatur erreicht hat.
  17. Öffnen Sie das Gerät nicht und verändern Sie es nicht.
  18. Bevor Sie das Gerät an die Steckdose anschließen, prüfen Sie zuerst, ob die Spannung und die Frequenz des Stromnetzes mit den auf dem Gerät angegebenen Werten übereinstimmen. Verfügt das Gerät über einen Spannungswahlschalter, schließen Sie das Gerät nur an die Steckdose an, wenn die Gerätewerte mit den Werten des Stromnetzes übereinstimmen.
- Wenn das mitgelieferte Netzkabel nicht in Ihre Netzsteckdose passt, wenden Sie sich an Ihren Elektriker.
19. Treten Sie nicht auf das Kaltgerätekabel. Sorgen Sie dafür, dass das Kaltgerätekabel speziell an der Netz- und der Gerätebuchse nicht geknickt wird.
  20. Überprüfen Sie nach dem Anschluss des Geräts alle Kabelwege, um Schäden oder Unfälle, z. B. durch Stolperfallen zu vermeiden.
  21. Achten Sie bei der Verkabelung des Geräts immer darauf, dass das Netzkabel stets frei zugänglich ist. Ziehen Sie immer den Netzstecker, wenn das Gerät nicht benutzt wird, oder Sie das Gerät reinigen möchten. Ziehen Sie das Kaltgerätekabel immer am Stecker und nicht am Kabel aus der Steckdose.
  22. Schalten Sie das Gerät möglichst nicht schnell hintereinander ein und aus, da sonst die Lebensdauer des Geräts beeinträchtigt werden könnte.
  23. **WICHTIGER HINWEIS:** Ersetzen Sie die Sicherung ausschließlich durch eine Sicherung des gleichen Typs

## SICHERHEITSHINWEISE:

ENGLISH

DEUTSCH

FRANCAIS

ESPAÑOL

POLSKI

ITALIANO

und mit gleichen Werten. Sollte die Sicherung wiederholt auslösen, wenden Sie sich bitte an ein autorisiertes Servicezentrum.

24. Um das Gerät vollständig vom Stromnetz zu trennen, entfernen Sie das Netzkabel.

25. Wenn Ihr Gerät mit einem Volex-Netzanschluss bestückt ist, muss der passende Volex-Gerätestecker entsperrt werden, bevor er entfernt werden kann. Das bedeutet aber auch, dass das Gerät durch eine Ziehen am Kaltgerätekabel verrutschen kann, wodurch Personen verletzt werden und/oder andere Schäden auftreten können. Verlegen Sie Ihre Kabel daher immer sorgfältig.

26. Entfernen Sie das Netzkabel bei Gefahr eines Blitzschlags oder wenn Sie das Gerät länger nicht verwenden.

27. Achten Sie beim Transport darauf, dass das Gerät nicht herunterfallen und dabei möglicherweise Sach- und Personenschäden verursachen kann.

28. Wenn Ihr Gerät nicht mehr ordnungsgemäß funktioniert, Flüssigkeiten oder Gegenstände in das Geräteinnere gelangt sind oder das Gerät anderweitig beschädigt wurde, schalten Sie es sofort aus und ziehen Sie den Stecker. Dieses Gerät darf nur von autorisiertem Fachpersonal repariert werden.

29. Verwenden Sie zur Reinigung des Geräts ein trockenes Tuch.

30. Beachten Sie alle in Ihrem Land geltenden Entsorgungsgesetze. Trennen Sie bei der Entsorgung bitte Kunststoff und Papier bzw. Kartonagen voneinander.

31. Kunststoffbeutel müssen außer Reichweite von Kindern aufbewahrt werden.



### ACHTUNG:

Entfernen Sie niemals die Abdeckung, da sonst das Risiko eines elektrischen Schlages besteht. Im Inneren des Geräts befinden sich keine Teile, die vom Bediener repariert oder gewartet werden können. Lassen Sie Reparaturen ausschließlich von qualifiziertem Service-Personal durchführen.



Das gleichschenkelige Dreieck mit dem Blitzsymbol kennzeichnet nicht-isolierte, „gefährliche“ Spannungen im Gerät, die einen für die Gesundheit gefährlichen Stromschlag verursachen können.



Das gleichschenkelige Dreieck mit dem Ausrufezeichen kennzeichnet wichtige Bedienungs- und Wartungshinweise.

### ACHTUNG! HOHE LAUTSTÄRKEN!

Dieses Gerät ist für den professionellen Einsatz vorgesehen. Der kommerzielle Betrieb dieses Geräts unterliegt den jeweils gültigen nationalen Vorschriften und Richtlinien zur Unfallverhütung. Als Hersteller ist Adam Hall gesetzlich verpflichtet, Sie ausdrücklich auf mögliche Gesundheitsrisiken hinzuweisen.

Gehörschäden und Dauerbelastung durch hohe Lautstärken: Dieser Lautsprecher kann hohe Schalldruckpegel (SPL) erzeugen, die bei Künstlern, Mitarbeitern und Zuschauern zu irreparablen Gehörschäden führen können. Vermeiden Sie länger anhaltende Belastung durch hohe Lautstärken über 90 dB.

## SYSTEMKOMPONENTEN & INSTALLATION:

ENGLISH

DEUTSCH

FRANCAIS

ESPAÑOL

POLSKI

ITALIANO

### **ALLE SYSTEME MIT EINZELEMPFÄNGER BESTEHEN AUS:**

- 1 x WS1G8 Einzelempfänger
- 1 x LWS1G8 Sender (Handmikrofon oder Taschensender mit Mikrofon-/Gitarrenkabel)
- 2 x Antennen
- 1 x Netzadapter
- 2 x AA-Batterien
- 1 x Audiokabel
- 1 x Bedienungsanleitung
- 1 x Transportbox

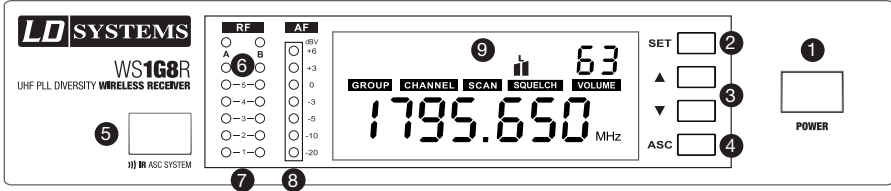
### **ALLE ZWEIFACHEMPFÄNGER-SYSTEME BESTEHEN AUS:**

- 1 x WS1G8 Zweifachempfänger
- 2 x WS1G8 Sender (Handmikrofon oder Taschensender mit Mikrofon-/Gitarrenkabel)
- 2 x Antennen
- 1 x Netzadapter
- 4 x AA-Batterien
- 1 x Audiokabel
- 1 x Rackmount Kit (2 x Rack-Winkel, 2 x TNC-Kabel, 2 x TNC-Adapter, 2 x Blendenbleche, 1 Satz Schrauben)
- 1 x Bedienungsanleitung
- 1 x Transportbox

### **INSTALLATION**

Um einen optimalen Empfang zu gewährleisten, sollten Sie den Empfänger in mindesten 1 m Höhe aufstellen und die Antennen nach oben und in V-Form ausrichten. Achten Sie darauf, dass Sender und Empfänger eine direkte Sichtverbindung haben und dass zwischen den Empfangsantennen und etwaigen Metallobjekten ein Abstand von mindestens 50 cm eingehalten wird. Stellen Sie Empfänger nicht in der Nähe von Digitalgeräten auf.

# WS1G8R VORDER- / RÜCKSEITE:



## 1 EIN/AUS-SCHALTER

Eine Sekunde lang gedrückt halten

## 2 SET-TASTE

Eine Sekunde lang gedrückt halten, um Menü-Parameter aufzurufen

## 3 LAUTSTÄRKE / WERT

Pfeiltasten (oben/unten)

## 4 ASC-TASTE

Frequenzsynchronisation über Infrarot

## 5 INFRAROT-SCHNITTSTELLE

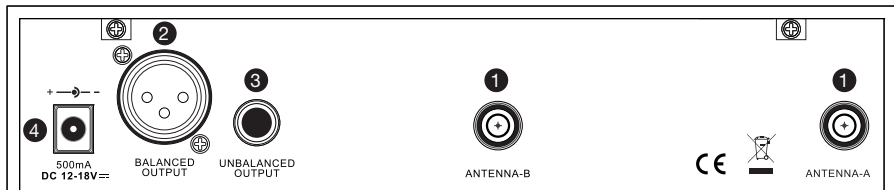
## 6 ANTENNEN-LEDS A / B

Zeigen an, ob Antenneneingang A bzw. B aktiv ist

## 7 6-STUFIGE PEGELANZEIGE FÜR RF(FUNK)-SIGNAL FÜR ANTENNENEINGÄNGE A / B

## 8 7-STUFIGE PEGELANZEIGE FÜR AUDIOSIGNAL

## 9 BELEUCHTETES MULTIFUNKTIONSDISPLAY



## 1 TNC-ANTENNENANSCHLÜSSE A / B

## 2 XLR-AUSGANG (SYMMETRISCH)

## 3 6,3-MM-KLINKENAUSGANG (UNSYMMETRISCH)

## 4 NETZTEILBUCHSE VERWENDEN SIE AUSSCHLIESSLICH DEN MITGELIEFERTEN NETZADAPTER.

ENGLISH

DEUTSCH

FRANCAIS

ESPAÑOL

POLSKI

ITALIANO

# WS1G8R2 VORDER- / RÜCKSEITE:

ENGLISH

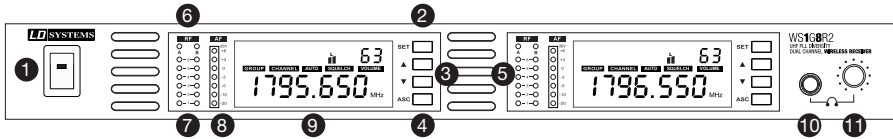
DEUTSCH

FRANCAIS

ESPAÑOL

POLSKI

ITALIANO



**1 EIN/AUS-SCHALTER**

**2 SET-TASTE**

Eine Sekunde lang gedrückt halten, um Menü-Parameter aufzurufen

**3 LAUTSTÄRKE / WERT**

Pfeiltasten (oben/unten)

**4 ASC-TASTE**

Frequenzsynchronisation über Infrarot

**5 INFRAROT-SCHNITTSTELLE**

**6 ANTENNEN-LEDS A / B**

Zeigen an, ob Antenneneingang A bzw. B aktiv ist

**7 6-STUFIGE PEGELANZEIGE FÜR RF(FUNK)-SIGNAL FÜR ANTENNENEINGÄNGE A / B**

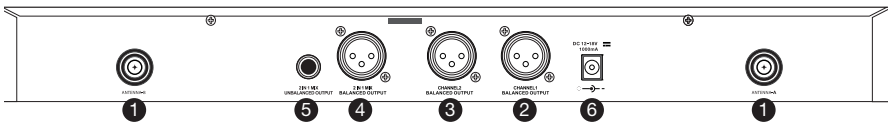
**8 7-STUFIGE PEGELANZEIGE FÜR AUDIOSIGNAL**

**9 BELEUCHTETES MULTIFUNKTIONSDISPLAY**

**10 KOPFHÖRERAUSGANG**

6,3 mm Stereoklinkenstecker

**11 KOPFHÖRERLAUTSTÄRKE**



**1 TNC-ANTENNENANSCHLÜSSE A / B**

**2 SYMMETRISCHER XLR-AUSGANG KANAL 1**

**3 SYMMETRISCHER XLR-AUSGANG KANAL 2**

**4 SYMMETRISCHER XLR-AUSGANG MIX**

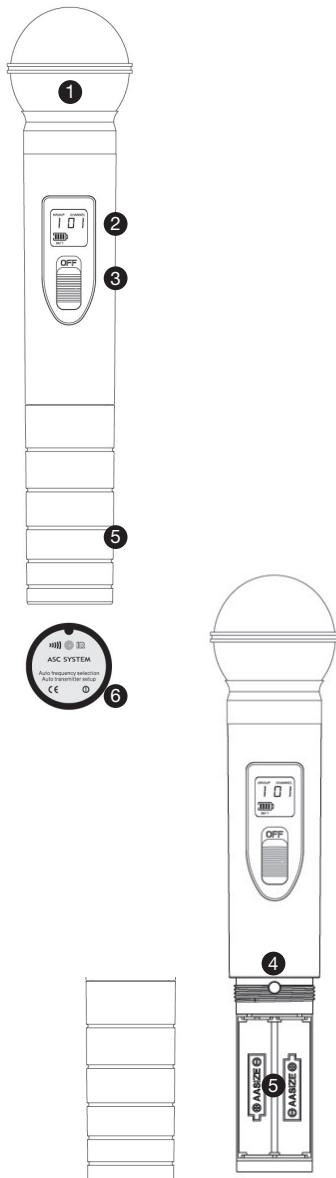
An diesem Ausgang liegt eine Mischung der Ausgangssignale der beiden Empfänger an. Um die Kanäle einzeln auszusteuern, stellen Sie die Pegel der beiden Empfänger auf der Gerätevorderseite separat ein.

**5 UNSYMMETRISCHER 6,3-MM-KLINKENAUSGANG MIX**

An diesem Ausgang liegt eine Mischung der Ausgangssignale der beiden Empfänger an. Um die Kanäle einzeln auszusteuern, stellen Sie die Pegel der beiden Empfänger auf der Gerätevorderseite separat ein.

**6 NETZTEILBUCHSE VERWENDEN SIE AUSSCHLIESSLICH DAS MITGELIEFERTTE STECKER-NETZTEIL.**

## HANDMIKROFON:



### 1 MIKROFONKAPSEL

### 2 BELEUCHTETES LC-DISPLAY

Im Display wird die Gruppe, der Kanal sowie der Batteriestatus (in 4 Stufen) angezeigt. Wenn das Batteriesymbol blinkt, müssen die Batterien sofort gewechselt werden.

**HINWEIS:** Die Hintergrundbeleuchtung wird nach einem kurzen Moment automatisch ausgeschaltet.

### 3 EIN/AUS-SCHALTER

### 4 GAIN-REGLER

Bitte sehr vorsichtig bedienen! Verwenden Sie nur einen passenden Schraubendreher! Drehen Sie den Regler nach links, um den Pegel zu reduzieren, und nach rechts, um den Pegel anzuheben.

### 5 BATTERIEEINSCHUBFACH

Um die Batterien zu wechseln, schrauben Sie die Abdeckung gegen den Uhrzeigersinn auf, setzen Sie zwei neue AA-Batterien (Ausrichtung siehe Abbildung im Batteriefach) ein und schrauben Sie die Abdeckung wieder im Uhrzeigersinn auf das Handmikrofon. Für einen sicheren Betrieb muss die Abdeckung wieder fest verschraubt werden.

### 6 INFRAROT-MODUL

Die Infrarot-Schnittstelle befindet sich an der Unterseite des Handmikrofons.

Um die Frequenz zu synchronisieren, drücken Sie am Empfänger die ASC-Taste (das ASC-Symbol im Display blinkt) und richten Sie die Infrarot-Schnittstelle des (eingeschalteten) Senders im Abstand von 5 bis 20 cm direkt auf die Infrarot-Schnittstelle des Empfängers.

## TASCHESENDELER:

ENGLISH

DEUTSCH

FRANCAIS

ESPAÑOL

POLSKI

ITALIANO

### 1 EIN/AUS UND MUTE

Halten Sie die Taste zwei Sekunden lang gedrückt, um den Sender ein- oder auszuschalten.

Drücken Sie die Taste kurz, um die Stummschaltung zu aktivieren. Drücken Sie die Taste erneut kurz, um die Stummschaltung wieder zu deaktivieren.

### 2 BELEUCHTETES LC-DISPLAY

Im Display wird die Gruppe, der Kanal sowie der Batteriestatus (in 3 Stufen) angezeigt. Wenn das Batteriesymbol und die grüne ASC-LED blinken, müssen die Batterien sofort gewechselt werden. Hinweis: Die Hintergrundbeleuchtung wird nach einem kurzen Moment automatisch ausgeschaltet.

### 3 ANTENNE

### 4 ASC-LED

Die grüne LED leuchtet dauerhaft: der Sender ist eingeschaltet.

Die grüne LED blinkt: die Frequenzsynchronisation wird durchgeführt.

Die grüne LED blinkt: die Batteriekapazität ist niedrig.

### 5 MUTE-LED

Die LED leuchtet rot: die Stummschaltung ist aktiviert.

### 6 BATTERIEEINSCHUBFACH

Um die Batterien zu wechseln, drücken Sie leicht auf die markierten Stellen an den Seiten und klappen Sie die Abdeckung nach vorne. Nehmen Sie die Batterien heraus, setzen Sie zwei neue AA-Batterien ein (Ausrichtung siehe Abbildung im Batteriefach) und schließen Sie die Abdeckung.

### 7 INFRAROT-SCHNITTSTELLE (IR)

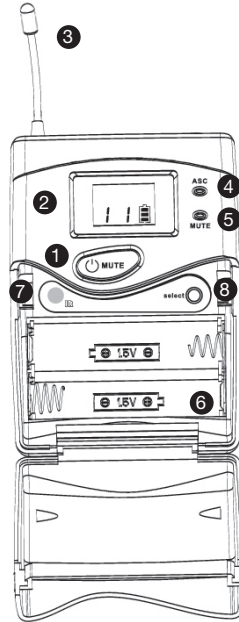
Um die Frequenzsynchronisation durchzuführen, öffnen Sie die Abdeckung, drücken am Empfänger die ASC-Taste (das ASC-Symbol im Display blinkt) und richten die Infrarot-Schnittstelle des (eingeschalteten Senders) im Abstand von 5 bis 20 cm

direkt auf die Infrarot-Schnittstelle des Empfängers.

### 8 SELECT

Über diese Taste können Sie die Gruppe und den Kanal manuell einstellen.

Öffnen Sie die Abdeckung und halten Sie die Taste gedrückt, bis im Display nur die Gruppennummer angezeigt wird. Lassen Sie die Taste los. Die Gruppennummer blinkt. Drücken Sie die Taste mehrmals kurz, bis die gewünschte Nummer angezeigt wird. Die Kanalnummer wird auf die gleiche Weise eingestellt. Wenn Sie keine Taste drücken, schaltet das Display nach kurzer Zeit automatisch zur normalen Anzeige zurück.





# TASCHESENDER:

ENGLISH

DEUTSCH

FRANCAIS

ESPAÑOL

POLSKI

ITALIANO

## 9 INPUT

3-polige Mini-XLR-Buchse für das mitgelieferte Mikrofon bzw. Gitarrenkabel.

## 10 GAIN-SCHALTER

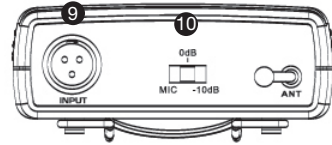
Über diesen Schalter können Sie zwischen den Gain-Einstellungen umschalten.

MIC = Mikrofon

0dB = Gitarre mit passiven Tonabnehmern

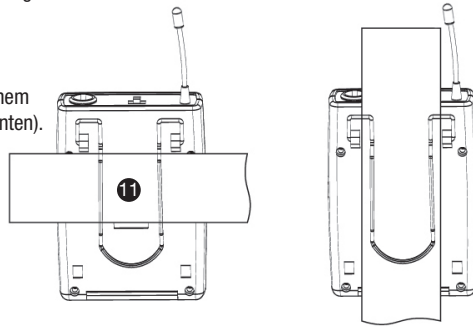
-10dB = Gitarre mit aktiven Tonabnehmern

Wenn das Audiosignal am Empfänger übersteuert, schalten Sie den Gain-Schalter auf eine niedrigere Stufe.

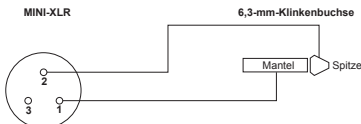


## 11 GÜRTEL-CLIP

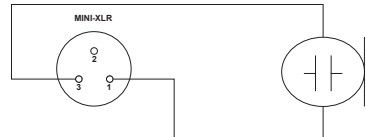
Zur Befestigung des Taschensenders an einem Gürtel oder Gitarrenrgurt (siehe Abbildung unten).



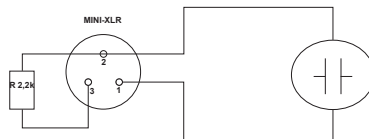
## BELEGUNG MINI-XLR-ANSCHLUSS (TASCHESENDER)



Gitarre, Bass und andere hochohmige Signalquellen



Headset, Lavalier- oder Blasinstrumentenmikrofon



Headset, Lavalier- oder Blasinstrumentenmikrofon mit geringer Empfindlichkeit. Der Signalpegel lässt sich anheben, indem man zwischen Pin 2 und 3 einen Widerstand (2,2 kOhm) einlötet.

## SYSTEM-EINSTELLUNGEN:

ENGLISH

DEUTSCH

FRANCAIS

ESPAÑOL

POLSKI

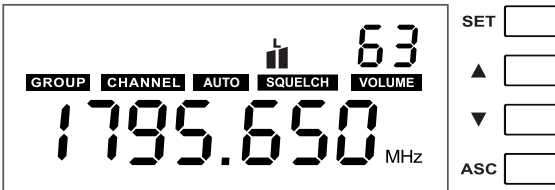
ITALIANO

### STANDARD-ANZEIGE

In diesem Modus werden im Display die eingestellte Funkfrequenz, der Squelch-Pegel und die Lautstärke angezeigt.

### VOLUME (LAUTSTÄRKE)

Stellen Sie mit den Pfeiltasten die gewünschte Lautstärke ein (00 - 63).

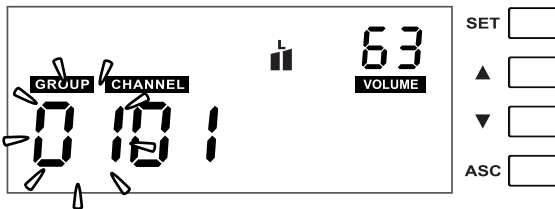


### GROUP (GRUPPE)

Halten Sie die SET-Taste eine Sekunde lang gedrückt. Die Anzeige GROUP und die ersten beiden Ziffern blinken. Stellen Sie mit den Pfeiltasten die gewünschte Gruppe ein (01 - 16). Bestätigen Sie mit SET.

Wenn Sie keine Taste drücken, schaltet das Display nach kurzer Zeit automatisch zur normalen Anzeige zurück.

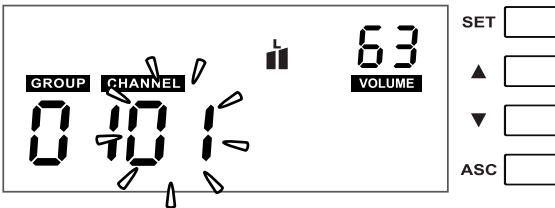
**HINWEIS:** Jede der Gruppen (01 - 16) besteht aus jeweils 12 Kanälen mit unterschiedlichen Frequenzen.



### CHANNEL (KANAL)

Halten Sie die SET-Taste eine Sekunde lang gedrückt und drücken Sie die Taste dann erneut. Die Anzeige CHANNEL und 2 Ziffern blinken. Stellen Sie mit den Pfeiltasten den gewünschte Kanal ein (01 - 12). Bestätigen Sie mit SET.

Wenn Sie keine Taste drücken, schaltet das Display nach kurzer Zeit automatisch zur normalen Anzeige zurück. Sobald die Frequenzeinstellung (Gruppe oder Kanal) geändert wurde, muss der Sender (Handmikrofon oder Taschensender) mit Hilfe der ASC-Funktion auf die neue Frequenz synchronisiert werden.



## SYSTEM-EINSTELLUNGEN:

ENGLISH

DEUTSCH

FRANCAIS

ESPAÑOL

POLSKI

ITALIANO

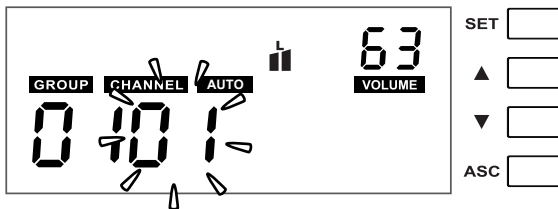
### AUTOMATISCHER KANALSUCHLAUF

Halten Sie die SET-Taste eine Sekunde lang gedrückt und drücken Sie die Taste dann noch zweimal. Die Anzeigen CHANNEL, AUTO und zwei Ziffern blinken. Drücken Sie eine der Pfeiltasten, um den Kanalsuchlauf zu starten. Nach Abschluss des Suchlaufs wird im Display der automatisch eingestellte, Interferenz-freie Kanal angezeigt. Bei Einsatz mehrerer Systeme und Nutzung des automatischen Kanalsuchlaufs sollten die bereits eingestellten Systeme eingeschaltet bleiben, wenn weitere Suchläufe gestartet werden. Der Kanalsuchlauf basiert auf den Frequenz-Presets der jeweils ausgewählten Gruppe (01 - 16).

Die Genauigkeit des Suchergebnisses hängt von den örtlichen Gegebenheiten sowie der Anzahl der verwendeten Funkssysteme ab. Falls der automatische Suchlauf unter ungünstigen Bedingungen eine bereits belegte Frequenz vorschlägt, wiederholen Sie den Suchlauf, bis eine freie Frequenz gefunden wird.

Hinweis: Bei Multi-System-Konfigurationen müssen alle Kanäle aus derselben Gruppe (01 - 16) stammen.

Wichtig: Betreiben Sie an einem Ort niemals gleichzeitig mehrere Funkssysteme auf derselben Frequenz. Die Funkeinstreuungen würden zu lauten Störgeräuschen führen.



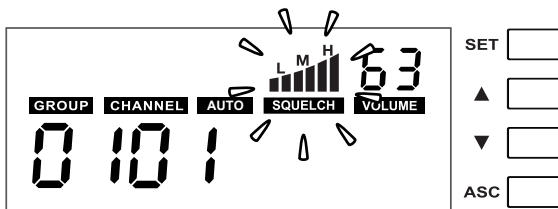
### SQUELCH

Die Squelch-Funktion verhindert, dass bei ausgeschaltetem Sender Störgeräusche auftreten. Darüber hinaus werden auch plötzlich auftretende Störgeräusche unterdrückt, wenn das vom Sender an den Empfänger übertragene Signal nicht stark genug ist.

Stellen Sie den Squelch-Pegel (bei ausgeschaltetem Sender) so ein, dass die Nebengeräusche gerade noch wirksam unterdrückt werden. In den meisten Fällen ist die Einstellung „L“ zu empfehlen. In der Einstellung „H“ kann sich die Übertragungreichweite unter ungünstigen Umständen verringern.

Halten Sie die SET-Taste eine Sekunde lang gedrückt und drücken Sie die Taste dann noch dreimal. Die Anzeige SQUELCH und die Anzeige darüber blinken. Wählen Sie mit den Pfeiltasten die gewünschte Einstellung aus (L = niedrig, M = mittel, H = hoch). Bestätigen Sie mit SET.

Wenn Sie keine Taste drücken, schaltet das Display nach kurzer Zeit automatisch zur normalen Anzeige zurück. ACHTUNG: Bevor Sie den Squelch-Pegel einstellen, regeln Sie zuerst die Lautstärke des PA-Systems ganz herunter!



# SYSTEM-EINSTELLUNGEN:

ENGLISH

DEUTSCH

FRANCAIS

ESPAÑOL

POLSKI

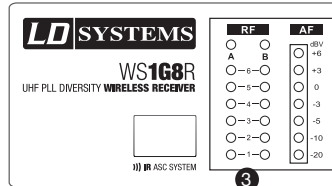
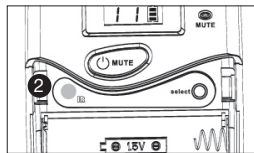
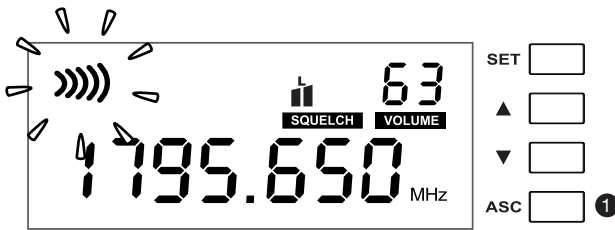
ITALIANO

## ASC (IR-Frequenzsynchronisation)

Bei einem Funksystem müssen Sender und Empfänger auf dieselbe Frequenz eingestellt sein.

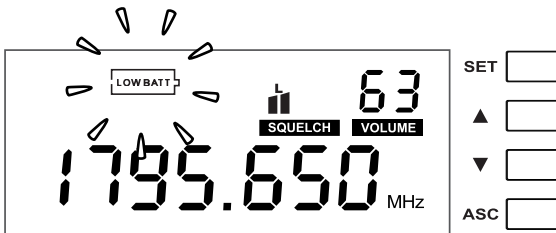
Nach jeder Änderung der Frequenzeinstellung (Gruppe oder Kanal) muss der Sender (Handmikrofon oder Ta-schensender) mit Hilfe der ASC-Funktion auf die neue Frequenz synchronisiert werden.

Drücken Sie am Empfänger die ASC-Taste **1** (das ASC-Symbol im Display blinkt) und richten Sie die Infrarot-Schnittstelle **2** des (eingeschalteten) Senders im Abstand von 5 bis 20 cm direkt auf die Infrarot-Schnittstelle des Empfängers. Nach wenigen Augenblicken sind die Geräte synchronisiert und die Funksignal-Anzeige **3** des Empfängers zeigt das Signal an.



## LOW BATT (Batterien schwach)

Blinkt im Display des Empfängers die Anzeige „LOW BATT“, sind die Batterien im Sender umgehend zu ersetzen.



## FEHLERSUCHE:

PROBLEM	ANZEIGE	LÖSUNG
Kein Audiosignal oder zu niedriger Pegel	Sender: Display ist ausgeschaltet	Überprüfen Sie, ob der Sender eingeschaltet ist. Überprüfen Sie die Batterien.
	Empfänger: Display ist ausgeschaltet	Überprüfen Sie die Stromversorgung. Schalten Sie das Gerät ein.
	Empfänger: Funksignalanzeige ist aus. Sender: Gerät ist eingeschaltet.	Überprüfen Sie, ob Sender und Empfänger auf dieselbe Frequenz eingestellt sind.  Verringern Sie den Abstand zwischen Sender und Empfänger. Stellen Sie sicher, dass Sender und Empfänger eine direkte Sichtverbindung haben.  Stellen Sie sicher, dass die Antennen des Empfängers nach oben und in V-Form ausgerichtet sind.
	Empfänger: Funksignalanzeige leuchtet Taschensender: Das Display ist eingeschaltet, die Mute-LED leuchtet.	Schalten Sie die Stummschaltung aus.
	Empfänger: Funksignalanzeige leuchtet	Erhöhen Sie die Lautstärke am Empfänger. Wählen Sie am Sender eine höhere Gain-Einstellung. Überprüfen Sie die Audioverkabelung zwischen Empfänger und Mischpult. Überprüfen Sie die Einstellungen am Mischpult.
Verzerrungen und Störgeräusche	Empfänger: Funksignalanzeige leuchtet	Entfernen Sie mögliche Quellen für Interferenzen (Digitalgeräte, andere Funksysteme). Stellen Sie das Funksystem auf eine andere Übertragungsfrequenz ein.
Verzerrter Klang	Sender: Batterieanzeige blinkt Empfänger: AF-Pegelanzeige übersteuert	Ersetzen Sie die Batterien.  Wählen Sie am Sender eine niedrigere Gain-Einstellung.

ENGLISH

DEUTSCH

FRANCAIS

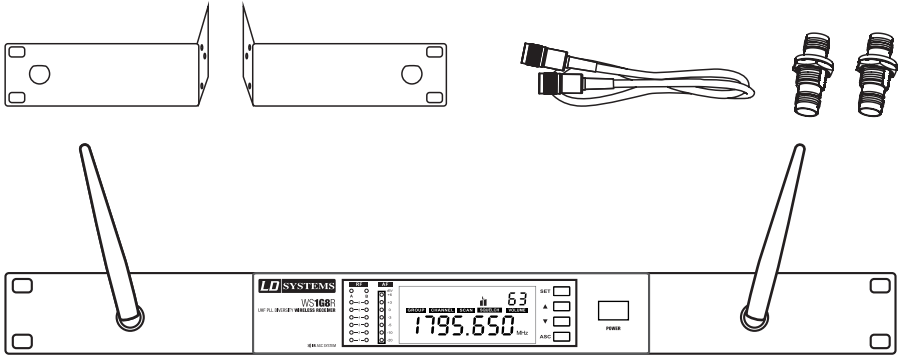
ESPAÑOL

POLSKI

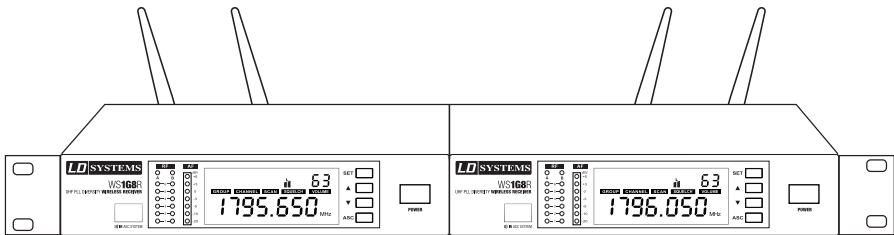
ITALIANO

# RACKMONTAGE:

**RACKMOUNT KIT LDWS100RK (OPTIONAL) FÜR 1 X LDWS1G8 EMPFÄNGER MIT:  
2 X RACKWINKEL, 2 X TNC-KABEL, 2 X TNC-ADAPTER, 1 SATZ SCHRAUBEN**



**RACKMOUNT KIT LDWS100RK2 (OPTIONAL) FÜR 2 X LDWS1G8 EMPFÄNGER MIT:  
1 X 19" RACK-ADAPTER, 1 SATZ SCHRAUBEN**



## TECHNISCHE DATEN:

ENGLISH

DEUTSCH

FRANCAIS

ESPAÑOL

POLSKI

ITALIANO

EMPFÄNGER		
Modellbezeichnung:	LDWS1G8R	LDWS1G8R2
Empfängertyp:	True Diversity	
Modulation:	FM	
Frequenzbereich:	1785 - 1800 MHz	
Anzahl Kanäle:	192 (16 x 12)	
Gruppen:	16	
Antennenanschlüsse:	2 x TNC	
Frequenzgang:	50 - 16.000 Hz	
Squelch:	Low (niedrig), Mid (mittel), High (hoch)	
Übertragungsoptimierung:	Pilotton	
Klirrfaktor (THD):	< 0,8%	
Rauschabstand:	> 90 dB	
Symmetrische Ausgänge:	XLR	2 x XLR
Symmetrischer Mix-Ausgang:	XLR	
Unsymmetrische Ausgänge:	6,3-mm-Klinkenbuchse	
Unsymmetrischer Mix-Ausgang:	6,3-mm-Klinkenbuchse	
Kopfhörerausgang:	6,3-mm-Stereoklinke	
Max. Ausgangspegel (symmetrisch)	+6 dBu	
Max. Ausgangspegel (unsymmetrisch)	0 dBu	
Bedienelemente:	Ein/Aus-Schalter, set, Pfeiltaste oben, Pfeiltaste unten, ASC	Ein/Aus-Schalter, 2 x set, 2 x Pfeiltaste oben, 2 x Pfeiltaste unten, 2 x ASC, Kopfhörer-Lautstärkereger
Anzeigen:	Multifunktionales LC-Display, HF-Pegel Antenne A/B, Audiopegel	2 x Multifunktionale LC-Displays, 2 x HF-Pegel Antennen A/B, 2 x Audiopegel
Betriebsspannung:	12 - 18 V DC, 500 mA	12 - 18 V DC, 1000 mA
Temperaturbereich:	-10°C ... 45°C	
Relative Luftfeuchte während Betrieb:	25% ... 85%	
Abmessungen (B x H x T):	212 x 45 x 163 mm	483 x 45 x 163
Gewicht:	0,92 kg	2,24 kg
Zubehör (im Lieferumfang):	Netzadapter, 2 x Antennen, Audiokabel	Netzadapter, 2 x Antennen, Audiokabel, Rack Kit
Merkmale:	Automatische Kanalsuche, IR-Frequenzsynchronisation	

## TECHNISCHE DATEN:

HANDSENDER:		
Modellbezeichnung:	LDWS1G8MD	LDWS1G8MC
Modulation:	FM	
Frequenzbereich:	1785 - 1800 MHz	
Anzahl Kanäle:	192 (16 x 12)	
Gruppen:	16	
Mikrofontyp:	dynamisches Mikrofon	Kondensatormikrofon
Charakteristik:	Niere	Niere
Frequenzgang:	50 - 16.000 Hz	
Klirrfaktor (THD):	< 0,8%	
Rauschabstand:	> 90 dB	
Sendeleistung:	10 mW	
Bedienelemente:	Ein/Aus-Schalter	
Anzeigen:	Multifunktionales LC-Display	
Stromversorgung:	2 x AA-Batterien (Mignon-Zellen)	
Betriebsdauer:	bis zu 13 h (je nach Batterietyp)	
Temperaturbereich:	-10°C ... 45°C	
Relative Luftfeuchte während Betrieb:	25% ... 85%	
Abmessungen (L x Ø):	245 x 51 mm	
Gewicht:	0,34 kg	
Zubehör (im Lieferumfang):	2 x AA-Batterien (Mignon-Zellen)	
Merkmale:	IR-Frequenzsynchronisation	



## TECHNISCHE DATEN:

ENGLISH

DEUTSCH

FRANCAIS

ESPAÑOL

POLSKI

ITALIANO

TASCHENSENDER	
Modellbezeichnung:	LDWS1G8BP
Modulation:	FM
Frequenzbereich:	1785 - 1800 MHz
Anzahl Kanäle:	192
Gruppen:	16
Eingänge:	3-Pol-Mini-XLR
Frequenzgang:	50 - 16.000 Hz
Klirrfaktor (THD):	< 0,8%
Rauschabstand:	> 90 dB
Sendeleistung:	10 mW
Bedienelemente:	Ein/Aus / Mute, select, Dreifach-Gain-Wahlschalter
Anzeigen:	Multifunktionales LC-Display, ASC-LED, Mute-LED
Stromversorgung:	2 AA-Batterien (Mignon-Zellen)
Betriebsdauer:	bis zu 13 h (je nach Batterietyp)
Temperaturbereich:	-10°C ... 45°C
Relative Luftfeuchte während Betrieb:	25% ... 85%
Abmessungen (B x H x T):	65 x 90 x 24 mm
Gewicht (ohne Batterien):	0,09 kg
Zubehör (im Lieferumfang):	2 x AA-Batterien (Mignon-Zellen)
Merkmale:	IR-Frequenzsynchronisation

## TECHNISCHE DATEN:

ENGLISH

MIKROFON		
Modellbezeichnung:	LDWS100MH1	LDWS100MH3
Mikrofontyp:	Headset	Headset
Kapsel:	Back-Elektret-Kondensator	Back-Elektret-Kondensator
Charakteristik:	Niere	Niere
Frequenzgang:	20 - 20.000 Hz	70 - 16.000 Hz
Anschlüsse:	3-Pol-Mini-XLR	3-Pol-Mini-XLR
Zubehör (im Lieferumfang):	Windschutz aus Schaumstoff	Windschutz aus Schaumstoff
Merkmale:		

DEUTSCH

LDHSAE1	LDWS100ML	LDWS1000MW
Headset	Lavalier-Mikrofon	Blasinstrumentenmikrofon
Back-Elektret-Kondensator	Back-Elektret-Kondensator	Back-Elektret-Kondensator
bidirektional	Niere	Niere
80 - 16.000 Hz	20 - 20.000 Hz	50 - 18.000 Hz
3-Pol-Mini-XLR	3-Pol-Mini-XLR	3-Pol-Mini-XLR
Windschutz aus Schaumstoff	Windschutz aus Schaumstoff	Windschutz aus Schaumstoff
wasserabweisend		

FRANCAIS

ESPAÑOL

POLSKI

ITALIANO

GITARENKABEL	
Modellbezeichnung:	LDWS100GC
Anschluss 1:	3-Pol-Mini-XLR
Anschluss 2:	6,3-mm-Klinkenbuchse
Länge:	1,5 m

## HERSTELLERERKLÄRUNGEN:

ENGLISH

DEUTSCH

FRANCAIS

ESPAÑOL

POLSKI

ITALIANO

### GARANTIEBESTIMMUNGEN

Diese Garantie erstreckt sich auf die Marken Adam Hall, LD Systems, Defender, Palmer, Cameo und Eminence.

Die gesetzlichen Gewährleistungsrechte gegenüber dem Verkäufer werden von dieser Garantie nicht berührt. Vielmehr begründet diese Garantie zusätzliche selbständige Ansprüche gegenüber Adam Hall.

Mit dieser Garantie stellt Adam Hall sicher, dass das von Ihnen bei Adam Hall oder einem Adam Hall Partner erworbene Produkt bei normalem Gebrauch während des Zeitraums von 2 bzw. 3 Jahren ab Kaufdatum frei von Material- oder Verarbeitungsfehlern ist.

Der Garantiezeitraum beginnt mit dem Datum des Kaufs.

Der Geltendmachung eines Anspruchs auf Garantieleistungen erforderliche Nachweis des Kaufdatums, erfolgt durch die mit dem Kaufdatum versehene Quittung oder den mit dem Kaufdatum versehenen Lieferschein. Sie haben Anspruch auf den Garantieservice zu den in diesem Dokument aufgeführten Bedingungen und Bestimmungen, falls eine Reparatur der unter den oben genannten Marken vertriebenen Produkte innerhalb des Garantiezeitraums erforderlich ist.

Diese Garantie gilt nur für den ursprünglichen Käufer des von Adam Hall vertriebenen Produkts und ist nicht an Personen übertragbar, denen vom ursprünglichen Käufer das Eigentum am Adam Hall Produkt übertragen wird. Innerhalb des Garantiezeitraums werden die fehlerhaften Komponenten oder das Produkt von Adam Hall repariert oder ersetzt. Alle im Rahmen dieser Garantie entfernten Komponenten und Hardware-Produkte gehen in das Eigentum von Adam Hall über.

In dem unwahrscheinlichen Fall, dass bei dem von Ihnen erworbenen Adam Hall Produkt ein Fehler wiederholt auftritt, kann Adam Hall nach eigenem Ermessen entscheiden, Ihnen dieses Produkt durch ein vergleichbares Produkt mit mindestens derselben Leistung zu ersetzen.

Adam Hall übernimmt keine Garantie für einen störungs- oder fehlerfreien Betrieb dieses Produkts. Adam Hall übernimmt keine Verantwortung für auf eine inkorrekte Befolgung der im Lieferumfang des Adam Hall enthaltenen Anweisungen zurückzuführenden Schäden.

Diese Garantie erstreckt sich nicht auf

- Verschleißteile (z.B. Akkumulator).
- Geräte deren Seriennummer entfernt wurde oder die beschädigt oder fehlerhaft wurden als Folge eines Unfalls.
- nicht sachgerechter oder missbräuchlicher Verwendung oder anderer missbräuchlicher Verwendung oder anderer äußerer Ursachen.
- Geräte die nicht entsprechend den Betriebsparametern betrieben wurden, die in den im Lieferumfang des Produkts enthaltenen Benutzerunterlagen festgelegt sind.
- Geräte die aufgrund der Verwendung nicht von Adam Hall hergestellter oder vertriebener Teile repariert wurden.
- Geräte die durch Änderung oder Wartung durch jemand anderen als Adam Hall getätigt wurde.

## HERSTELLERERKLÄRUNGEN:

Diese Bestimmungen und Bedingungen stellen die vollständige und ausschließliche Garantievereinbarung zwischen Ihnen und Adam Hall für das von Ihnen erworbene Adam Hall Produkt dar.

### HAFTUNGSBESCHRÄNKUNG

Wenn das unter der Marke Adam Hall vertriebene Produkt nicht entsprechend der obigen Garantie funktioniert, besteht Ihr alleiniger und ausschließlicher Anspruch aus dieser Garantie in der Reparatur oder dem Ersatz. Weitergehende Gewährleistungsansprüche bleiben hiervon unberührt. Die maximale Haftung von Adam Hall im Rahmen dieser Garantie ist ausdrücklich beschränkt auf den jeweils niedrigeren Betrag, der sich entweder aus dem Kaufpreis für das Produkt oder aus den Reparatur- bzw. Ersatzkosten von Hardware-Komponenten, die bei normalem Gebrauch nicht Ordnungsgemäß funktionieren, ergibt.

Adam Hall haftet aus dieser Garantie nicht für durch das Produkt oder sein versagen verursachte Schäden, einschließlich entgangener Gewinne, unterbliebener Einsparungen oder besonderer, indirekter oder Folgeschäden. Adam Hall haftet zudem nicht für von Dritten oder von ihnen für Dritte geltend gemachte Ansprüche.

Diese Haftungsbeschränkung gilt unabhängig davon, ob Schäden gerichtlich verfolgt werden, ob Schadenersatzansprüche im Rahmen dieser Garantie oder aufgrund unerlaubter Handlungen (Einschließlich Fahrlässigkeit und Gefährdungshaftung) oder aufgrund vertraglicher bzw. sonstiger Ansprüche gestellt werden. Diese Haftungsbeschränkung kann von keiner Person aufgehoben oder ergänzt werden. Diese Haftungsbeschränkung gilt auch dann, wenn sie Adam Hall über die Möglichkeit derartiger Schäden informiert haben. Sie gilt jedoch nicht für Ansprüche aus Personenschäden.

Aus dieser Garantie ergeben sich für Sie bestimmte Rechte. Möglicherweise haben Sie weitere Rechte, die Ihnen von Staat zu Staat und von Land zu Land unterschiedlich sein können. Es ist ratsam, die entsprechenden Gesetze des Staates bzw. Landes heranzuziehen, um Ihre Rechte umfassend zu ermitteln.

### INANSPRUCHNAHME DES REPARATURSERVICE

Um den Garantieservice bzw. Reparaturservice für das Produkt in Anspruch zu nehmen, wenden Sie sich bitte an Adam Hall oder an einen Adam Hall Partner, bei dem Sie das Produkt erworben haben.

### EG-KONFORMITÄTserklärung

Diese Geräte entsprechen den grundlegenden Anforderungen und den weiteren Vorgaben der Richtlinien 1999/5/EC (R&TTE), 2004/108/EC (EMC) und 2006/95/EC (LVD). Weitere Informationen finden Sie unter [www.adamhall.com](http://www.adamhall.com).

## KORREKTE ENTSORGUNG DIESES PRODUKTES

(Gültig in der Europäischen Union)



Dieses Symbol (entweder auf dem Gerät oder dem dazugehörigen Handbuch) weist darauf hin, dass das Gerät nicht mit dem normalen Hausmüll entsorgt werden darf. Um mögliche Schäden an der Umwelt und an Personen zu verhindern, entsorgen Sie dieses Gerät bitte fachgerecht bei einer entsprechenden Stelle für Elektromüll.

Als Privatkunde Informieren Sie sich bitte beim Hersteller oder bei Ihrer Gemeinde über die Möglichkeiten der korrekten Entsorgung.

Als Geschäftskunde kontaktieren Sie bitte Ihren Lieferanten und prüfen Sie die Konditionen zur Entsorgung der Geräte. Dieses Produkt sollte nicht mit anderem gewerblichen Abfall entsorgt werden.

## WEEE-DEKLARATION



Ihr LD-Systems Produkt wurde unter der Verwendung hochwertiger Materialien und Komponenten die wiederverwertet oder wieder verwendet werden können hergestellt. Dieses Symbol weist darauf hin, dass elektronische Geräte nicht im normalen Hausmüll entsorgt werden dürfen. Entsorgen Sie dieses Gerät bitte fachgerecht bei einer entsprechenden Stelle für Elektromüll und helfen Sie dabei unsere Umwelt zu schützen.

## BATTERIEN UND AKKUS



Die mitgelieferten Batterien können wiederverwertet werden. Werfen Sie die Batterien daher nicht in den normalen Hausmüll sondern in gesonderte dafür vorgesehene Container. Helfen Sie, unsere Umwelt sauber zu halten.

## UMWELTSCHUTZ UND ENERGIESPAREN

Energiesparen ist ein aktiver Beitrag zum Umweltschutz. Schalten Sie bitte alle nicht benötigten elektrischen Geräte aus. Um zu verhindern, dass nicht benötigte Geräte im Standby-Modus Strom verbrauchen, ziehen Sie den Netzstecker.

Adam Hall GmbH, alle Rechte vorbehalten. Die technischen Daten und die funktionalen Produkteigenschaften können Änderungen und Irrtümer vorbehalten. Das Kopieren, die Übersetzung, und alle anderen Formen des Kopierens von Fragmenten oder der Vollständigkeit dieser Bedienungsanleitung ist untersagt.



ENGLISH

DEUTSCH

FRANCAIS

ESPAÑOL

POLSKI

ITALIANO

## Merci d'avoir choisi LD Systems!

Nous avons conçu ce produit afin de vous offrir un matériel fiable, qui vous accompagnera durant de longues années. En achetant l'un des produits de la marque LD Systems vous bénéficiez de notre compétence reconnue et de nos nombreuses années d'expérience en tant que fabricant. Notre nom est notre garantie.

Veuillez s'il-vous-plait prendre quelques minutes pour lire attentivement ces instructions d'utilisation car nous souhaitons que vous puissiez profiter pleinement et au plus vite de votre matériel LD Systems.

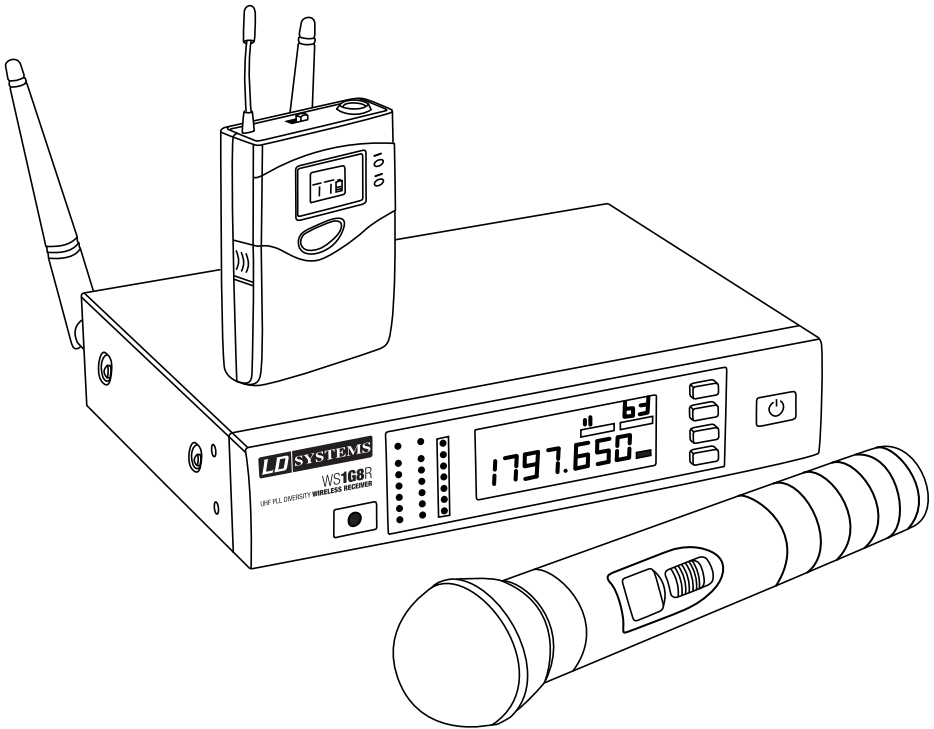
Pour plus d'informations sur LD Systems venez visiter notre site [WWW.LD-SYSTEMS.COM](http://WWW.LD-SYSTEMS.COM)

## INTRODUCTION

Le LD Systems WS1G8 est un système HF 192 canaux True Diversity avancé, offrant un son naturel, doté d'une gamme dynamique étendue, d'un rapport signal/bruit élevé et d'un taux de distorsion réduit, travaillant dans la bande de fréquences des 1,8 GHz (plus précisément : de 1785 à 1800 MHz). La transmission du signal audio s'effectue en toute fiabilité, avec une bande passante s'étendant de 50 Hz à 16 kHz. L'émetteur à main comme l'émetteur de poche possèdent un afficheur LCD pour le numéro de canal, de groupe et l'état des piles. La fonction de scan automatique des fréquences (ASC, Automatic Channel Scanning) et l'écran multifonctions rétro-éclairé du récepteur facilitent la configuration et l'utilisation du système. L'autonomie est de 13 heures avec des piles LR06 (AA) de haute qualité.

# LD WS1G8

## SYSTÈME HF TRUE DIVERSITY 192



ENGLISH

DEUTSCH

FRANCAIS

ESPAÑOL

POLSKI

ITALIANO



## MESURES PRÉVENTIVES :

1. Veuillez lire attentivement ces instructions.
2. Gardez ces instructions et informations en lieu sûr.
3. Veuillez suivre ces instructions.
4. Veuillez respecter tous les avertissements. N'enlevez pas les instructions de sécurité ou toute autre information collée sur l'appareil.
5. N'utilisez l'appareil que conformément à l'usage auquel il est destiné.
6. Use only stable and appropriate stands and/or mounts when the device is permanently installed. Vérifiez bien que les supports muraux sont solidement fixés. Vérifiez que l'appareil est installé de façon stable, et ne peut tomber.
7. When installing please observe the corresponding safety standards for your country.
8. Do not install the device near radiators, heat accumulators, ovens or other sources of heat. Veillez à assurer un refroidissement suffisant de l'appareil, afin d'éviter
9. 9. Ne posez aucune source de flamme nue sur l'appareil (bougie allumée, par exemple).
10. 10. N'obstruez pas les ouïes de ventilation.
11. Do not operate the device in the immediate vicinity of water. Do not expose this equipment to combustible materials, liquids or gases.
12. Vérifiez qu'aucune éclaboussure ou infiltration d'eau n'est possible dans l'appareil. Do not put objects filled with fluids, such as vases or drinking vessels, on top of the device.
13. Vérifiez qu'aucun objet ne peut tomber dans l'appareil.
14. N'utilisez l'appareil qu'avec des accessoires dont l'emploi a été prévu par le fabricant.
15. ATTENTION : If this device has a mains connector equipped with protective earth, it must be connected to a mains socket with a protective ground connection. Ne désactivez jamais la fonction de protection par mise à la terre du cordon secteur livré.
16. Do not turn on the device immediately if it was exposed to strong temperature fluctuations (for example after transportation). Moisture and condensation may damage the device. Leave the device switched off until it has reached room temperature.
17. Do not open the device and do not make any changes to the device.
18. Before connecting to mains power, make certain that the mains voltage and the mains frequency are the same as the operating values of the device (see type label). If the device is equipped with a supply voltage selector switch, make certain that the values of the device match the values of the mains power before connecting. If the plug on the included cord does not fit your mains outlet, contact your electrician.
19. Veillez à éviter tout piétinement du cordon secteur. Protégez le cordon secteur de toute flexion excessive, que ce soit côté prise murale ou côté appareil.
20. Pour éviter tout dommage ou incident, par exemple si quelqu'un a trébuché sur le câble, vérifiez tous les branchements une fois que vous avez branché l'appareil.
21. Lorsque vous branchez l'appareil, vérifiez que la prise murale reste facilement accessible. Always pull out the power plug when the device is not in use or when you clean the device. Disconnect the power cord by pulling the plug not the cable.
22. Avoid switching the device on and off at short intervals, because it may shorten the durability of the device.
23. IMPORTANT: Replace fuse only by fuse of same type and rating! If fuse blows repeatedly please contact authorized service center!
24. Si vous désirez désolidariser complètement l'appareil de la tension secteur, il faut débrancher la prise murale.

ENGLISH

DEUTSCH

FRANCAIS

ESPAÑOL

POLSKI

ITALIANO



## MESURES PRÉVENTIVES :

ENGLISH

DEUTSCH

FRANCAIS

ESPAÑOL

POLSKI

ITALIANO

25. If your device is equipped with a Volex power connector, the matching Volex device plug must be unlocked in order to disconnect it. Du même coup, toute sollicitation sur le cordon secteur est susceptible de déplacer l'appareil, ce qui peut provoquer des blessures et/ou des dégâts matériels. Il vaut donc mieux, par conséquent, soigner les passages de câbles.

26. If there is a risk of lightning strike or during extended periods of disuse, unplug the power plug.

27. During transport, make certain that the equipment being transported cannot fall down and possibly cause personal injuries and/or property damage.

28. Si votre appareil ne fonctionne plus correctement, s'il a été exposé à du liquide ou si un objet est tombé à l'intérieur, ou en cas de dommage, quel qu'il soit, éteignez-le immédiatement et débranchez sa prise murale. Cet appareil ne doit être réparé que par des experts autorisés.

29. Pour nettoyer l'appareil, utilisez exclusivement un chiffon sec

30. Respectez toutes les lois en vigueur dans votre pays pour jeter l'emballage. Veuillez séparer le plastique et le papier/carton.

31. Mettez les films plastique hors de portée des enfants.



### ATTENTION :

Pour éviter tout risque d'électrocution, ne démontez pas le capot (ou le panneau arrière). L'appareil ne contient aucune pièce réparable par l'utilisateur. Veuillez confier la maintenance de l'appareil à un personnel qualifié.



Le pictogramme d'éclair, ou flèche dans un triangle équilatéral, est prévu pour alerter l'utilisateur de la présence d'une "tension dangereuse" non protégée à l'intérieur du coffret de l'appareil, d'une valeur suffisamment élevée pour constituer un risque pour l'organisme humain.



Le point d'exclamation à l'intérieur d'un triangle équilatéral sert à attirer l'attention de l'utilisateur sur la présence d'instructions importantes, relatives à l'utilisation ou à la maintenance, dans la brochure livrée avec l'appareil.

### ATTENTION ! NIVEAUX SONORES ÉLEVÉS !

Cet appareil sera utilisé dans le cadre d'applications professionnelles. Par conséquent, son utilisation commerciale est soumise aux lois et aux réglementations en vigueur dans votre secteur d'activités. En tant que fabricant, Adam Hall est tenu de vous informer formellement de l'existence de certains risques sanitaires.

Dommages auditifs, exposition prolongée à des niveaux sonores excessifs : ce caisson de basses est capable de générer des niveaux de pression sonore (SPL) suffisants pour causer des dommages auditifs irréversibles aux artistes, aux équipes de production et au public. Attention à éviter toute exposition prolongée à des niveaux de pression sonore supérieurs à 90 dB SPL.

## COMPOSANTS DU **SYSTÈME** & INSTALLATION:

ENGLISH

### **TOUS LES SYSTÈMES SIMPLE RÉCEPTEUR SE COMPOSENT DE :**

- 1 récepteur WS1G8 monocanal
- 1 émetteur WS1G8 (à main ou portable [bodypack] avec câble microphone/guitare)
- 2 antennes
- 1 bloc secteur
- 2 piles AA (LR06)
- 1 câble audio
- 1 Manuel Utilisateur
- 1 Boîtier de transport

DEUTSCH

### **TOUS LES SYSTÈMES DOUBLE RÉCEPTEUR SE COMPOSENT DE :**

- 1 récepteur WS1G8 double canal
- 2 émetteurs WS1G8 (à main ou portable [bodypack] avec câble microphone/guitare)
- 2 antennes
- 1 bloc secteur
- 4 piles AA (LR06)
- 1 câble audio
- 1 kit de montage en rack (2 équerres de montage en rack, 2 câbles TNC, 2 adaptateurs TNC, 2 plaques aveugles, 1 jeu de boulons)
- 1 Manuel Utilisateur
- 1 Boîtier de Transport

FRANCAIS

ESPAÑOL

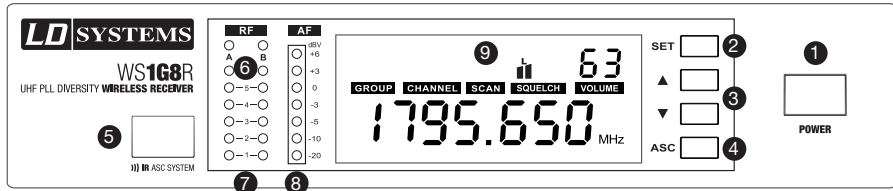
### **INSTALLATION**

Pour obtenir la meilleure réception possible, veuillez placer le récepteur à une hauteur minimale de 1 m et orienter les antennes vers le haut, selon une disposition en V. Vérifiez que les émetteurs et les récepteurs se trouvent en contact visuel direct, et qu'une distance minimale de 50 cm sépare les antennes de réception d'éventuels objets métalliques. Ne placez pas les récepteurs à proximité d'appareils contrôlés numériquement.

POLSKI

ITALIANO

# WS1G8R : FACE AVANT - / PANNEAU



## 1 POWER ON / OFF

Maintenez la touche enfoncée pendant 1 seconde.

## 2 TOUCHE SET

Maintenez la touche enfoncée pendant 1 seconde pour accéder aux différents éléments de menu.

## 3 VOLUME / VALUE

Touches Haut/Bas

## 4 TOUCHE ASC

Synchronisation des fréquences par infrarouge

## 5 INTERFACE INFRAROUGE

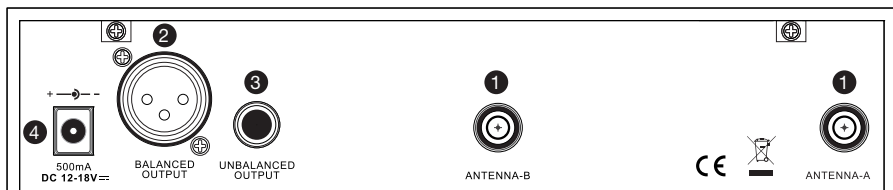
## 6 LED ANTENNES A / B

Indique si c'est l'antenne A ou l'antenne B qui est active

## 7 INDICATEUR DE NIVEAU HF 6 SEGMENTS ANTENNE A / B

## 8 INDICATEUR DE NIVEAU AUDIO 7 SEGMENTS

## 9 ÉCRAN RÉTRO-ÉCLAIRÉ MULTIFONCTIONS



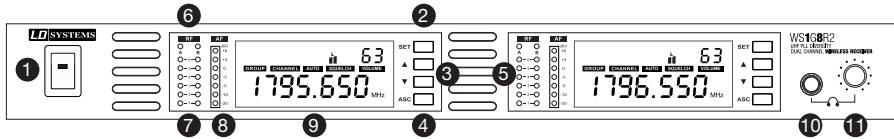
## 1 EMBASES TNC ANTENNE A / B

## 2 SORTIE AUDIO SYMÉTRIQUE SUR XLR

## 3 SORTIE AUDIO ASYMÉTRIQUE SUR JACK 6,35 MM

## 4 EMBASE TENSION CONTINUE (DC) N'UTILISEZ QUE LE BLOC SECTEUR LIVRÉ.

# WS1G8R2 FAÇADE- / PANNEAU ARRIÈRE :



**1 POWER ON / OFF.**

**2 TOUCHE SET**

Maintenez enfoncée cette touche pendant 1 seconde pour accéder aux éléments de menu.

**3 VOLUME / VALUE**

Touches Haut/Bas

**4 TOUCHE ASC**

Synchronisation des fréquences par infrarouge

**5 INTERFACE INFRAROUGE**

**6 LED ANTENNE A / B**

Indique si c'est l'antenne A ou l'antenne B qui est active.

**7 INDICATEUR DE NIVEAU HF 6 SEGMENTS ANTENNE A / B**

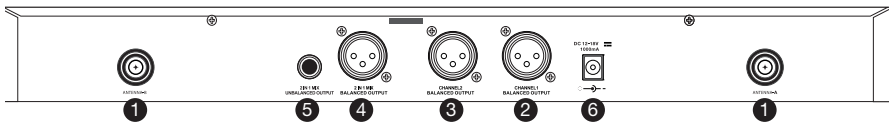
**8 INDICATEUR DE NIVEAU AUDIO 7 SEGMENTS**

**9 ÉCRAN RÉTRO-ÉCLAIRÉ MULTIFONCTIONS**

**10 SORTIE CASQUE**

jack 6,35 mm stéréo

**11 VOLUME CASQUE**



**1 EMBASES TNC ANTENNES A / B**

**2 SORTIE AUDIO CANAL 1 SYMÉTRIQUE SUR XLR**

**3 SORTIE AUDIO CANAL 2 SYMÉTRIQUE SUR XLR**

**4 SORTIE MIX SYMÉTRIQUE SUR XLR**

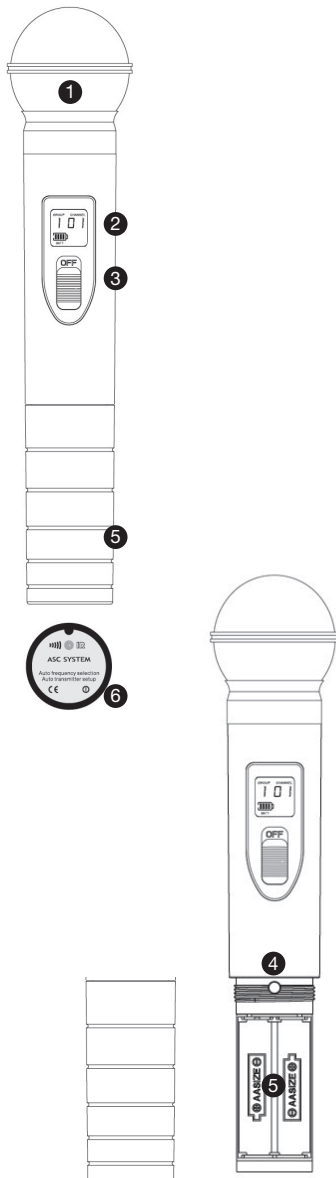
Cette sortie offre un mixage des signaux audio des deux récepteurs. Le réglage de volume de chaque canal s'effectue depuis la face avant de chacun des récepteurs.

**5 SORTIE JACK 6,3 MM ASYMÉTRIQUE**

Sortie Mix asymétrique sur jack 6,35 mm Le réglage de volume de chaque canal s'effectue depuis la face avant de chacun des récepteurs.

**6 EMBASE TENSION CONTINUE (DC) N'UTILISEZ QUE LE BLOC SECTEUR LIVRÉ**

## MICROPHONE À MAIN :



### 1 TÊTE DU MICROPHONE

### 2 ÉCRAN LCD RÉTRO-ÉCLAIRÉ

Visualise le groupe, le canal et l'état des piles (4 segments). Si l'icône de pile clignote, il faut remplacer les piles immédiatement.

**REMARQUE :** Le rétro-éclairage de l'écran se désactive automatiquement au bout de quelques instants.

### 3 INTERRUPTEUR ON / OFF

### 4 POTENTIOMÈTRE GAIN

Manipulez avec soin ! N'utilisez qu'un tournevis approprié !

Tournez vers la gauche pour réduire le gain, vers la droite pour l'augmenter.

### 5 COMPARTIMENT DES PILES

Pour remplacer les piles, dévissez les vis du compartiment (sens inverse des aiguilles d'une montre), déposez le capot, enlevez les anciennes piles et mettez en place deux nouvelles piles (format AA, LR06) – le sens d'introduction est gravé dans le compartiment. Remettez ensuite le capot en place sur le corps de l'émetteur à main et revissez les vis (sens des aiguilles d'une montre). Pour une sécurité d'emploi optimale, vérifiez qu'elles sont bien serrées.

### 6 INTERFACE INFRAROUGE (IR)

Elle se trouve sur le fond de l'émetteur à main. Pour effectuer une synchronisation des fréquences, appuyez sur la touche ASC du récepteur (le symbole ASC se met alors à clignoter à l'écran). Orientez ensuite l'interface infrarouge de l'émetteur (allumé) directement vers celle du récepteur, à une distance comprise entre 5 et 20 cm.

## ÉMETTEUR DE POCHE :

### 1 TOUCHE ON / OFF ET MUTE

Maintenez enfoncée la touche pendant au moins 2 secondes pour allumer ou éteindre l'émetteur de poche.

Appuyez brièvement pour activer la fonction Mute. Appuyez de nouveau brièvement pour désactiver la fonction Mute.

### 2 ÉCRAN LCD RÉTRO-ÉCLAIRÉ

Visualise le groupe, le canal et l'état des piles (3 segments). Si l'icône de pile et la LED verte ASC clignotent, il faut remplacer les piles immédiatement. Remarque : Le rétro-éclairage de l'écran se désactive automatiquement au bout de quelques instants.

### 3 ANTENNE

### 4 LED ASC

La LED verte s'allume en permanence lorsque l'appareil est activé.

La LED verte clignote pendant la synchronisation des fréquences.

La LED verte clignote lorsque les piles commencent à être utilisées.

### 5 LED MUTE

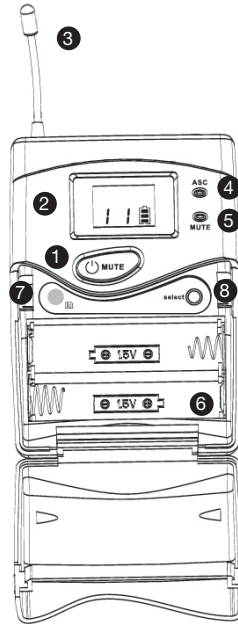
Cette LED rouge s'allume lorsque la fonction Mute est activée.

### 6 COMPARTIMENT DES PILES

Pour remplacer les piles, appuyez légèrement sur les repères à gauche et à droite du capot, puis ouvrez en faisant glisser vers l'avant. Enlevez les piles usées, insérez deux nouvelles piles LR06 (AA) en respectant le sens indiqué dans le compartiment, puis refermez le capot.

### 7 INTERFACE INFRAROUGE

Pour effectuer une synchronisation des fréquences, ouvrez le capot et appuyez sur la touche ASC sur le récepteur ; le symbole ASC se met à clignoter à l'écran. Orientez ensuite l'interface infrarouge de l'émetteur (allumé)



directement vers celle du récepteur, à une distance comprise entre 5 et 20 cm.

### 8 SELECT

Réglage manuel du groupe et du canal. Ouvrez le capot, puis maintenez la touche enfoncée jusqu'à ce qu'apparaisse uniquement le numéro du groupe. Relâchez la touche le numéro du groupe clignote. Appuyez alors brièvement sur la touche pour incrémenter la valeur, pas par pas, jusqu'à ce que le numéro de groupe désiré apparaisse. Suivez la même procédure pour changer le numéro de canal. L'écran revient automatiquement en mode normal à l'issue d'une brève période de non-activité.

## ÉMETTEUR DE POCHE :

ENGLISH

DEUTSCH

FRANCAIS

ESPAÑOL

POLSKI

ITALIANO

### 9 INPUT

Connecteur mini-XLR 3 points pour le microphone ou le câble guitare livré.

### 10 SÉLECTEUR GAIN

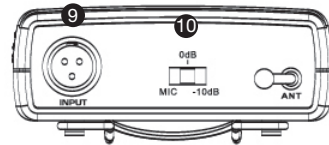
Sélectionnez la valeur de gain appropriée.

MIC = microphone

0dB = guitare avec capteurs passifs

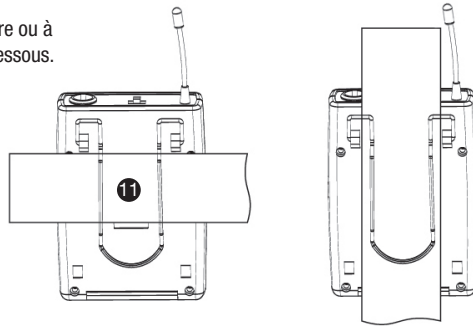
-10dB = guitare avec capteurs actifs

Si le signal audio surcharge l'entrée du récepteur, réglez le sélecteur de gain sur la position immédiatement inférieure.

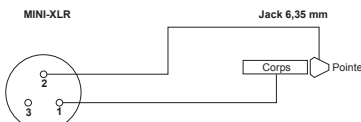


### 11 PINCE CEINTURE

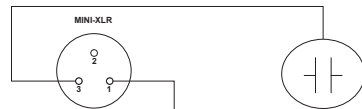
Sert à fixer l'émetteur de poche à la ceinture ou à une sangle de guitare, comme illustré ci-dessous.



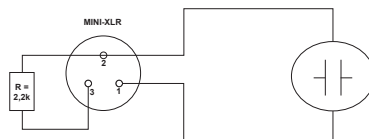
## ASSIGNATION DES POINTS DU CONNECTEUR MINI-XLR DE L'ÉMETTEUR DE POCHE



Guitare, basse et autres sources de haute impédance



Headset, lavalier or wind instrument microphone



Serre-tête, micro cravate ou micro pour vents à bas niveau de sortie Souder une résistance de 2,2 kohms entre les points 2 et 3 augmente le gain.

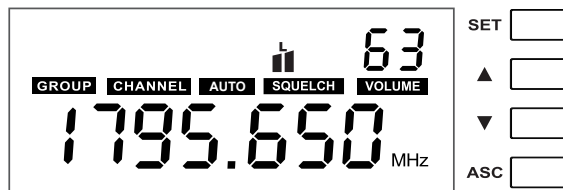
# PARAMÈTRES SYSTÈME :

## ÉCRAN STANDARD

L'écran standard visualise la fréquence présélectionnée, le réglage de Squelch et le volume.

### VOLUME

Réglez le volume désiré (00 à 63) avec les touches Haut/Bas.

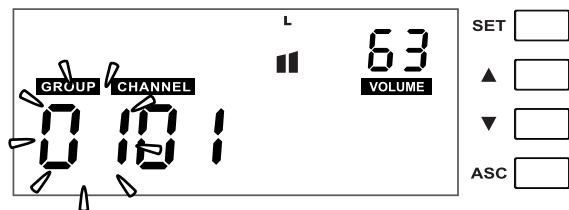


## GROUP

Maintenez enfoncée la touche SET pendant 1 seconde. La mention GROUP et les deux premiers chiffres clignotent. Réglez le numéro de groupe désiré (01-16) avec les touches Haut/Bas. Appuyez de nouveau sur SET pour confirmer.

L'écran revient automatiquement en mode standard au bout d'une courte période de non-activité.

**REMARQUE :** Chacun des groupes 01 à 16 comprend 12 canaux, correspondant chacun à une fréquence spécifique.

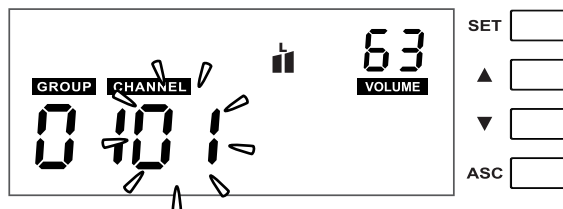


## CANAL

Maintenez enfoncée la touche SET pendant 1 seconde, puis appuyez de nouveau sur SET. La mention CHANNEL et les deux chiffres en dessous clignotent. Réglez le numéro de canal désiré (01-12) avec les touches Haut/Bas. Appuyez de nouveau sur SET pour confirmer.

L'écran revient automatiquement en mode standard au bout d'une courte période de non-activité.

Une fois que vous avez sélectionné une fréquence spécifique (groupe et canal), il faut synchroniser l'émetteur (à main ou de poche) sur cette même fréquence (groupe et canal) via la fonction ASC.





## PARAMÈTRES SYSTÈME :

ENGLISH

DEUTSCH

FRANCAIS

ESPAÑOL

POLSKI

ITALIANO

### FONCTION CHANNEL SCAN

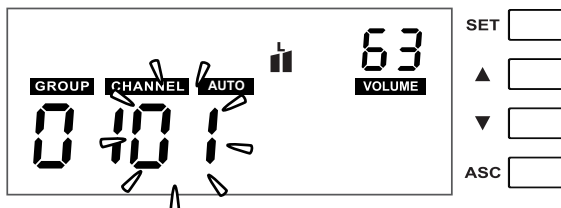
Maintenez enfoncée la touche SET pendant 1 seconde, puis appuyez de nouveau deux fois sur SET. Les mentions CHANNEL, AUTO et les deux chiffres en dessous clignotent. Appuyez sur la touche Haut ou Bas pour lancer le processus de balayage des canaux (Channel Scan). Une fois le balayage effectué, l'écran visualise le canal sélectionné automatiquement, dépourvu d'interférence.

En utilisant des multi-systèmes et lorsque la sélection de fréquence se fait par la fonction de balayage des canaux, les systèmes déjà configurés doivent rester allumés pour des procédures de balayage successives. La fonction de balayage des fréquences se réfère aux pré-réglages des fréquences dans le groupe pré-sélectionné (01 - 16).

La précision du balayage dépend de l'environnement et du nombre de systèmes HF utilisés simultanément. Si la fonction de balayage des fréquences ne reconnaît pas une fréquence déjà utilisée à cause de conditions défavorables, lancez de nouveau le balayage jusqu'à ce qu'une fréquence ouverte soit identifiée.

Remarque : Chaque canal de fréquence doit venir du même groupe (01 - 16) lorsqu'on utilise des multi-systèmes.

IMPORTANT : N'utilisez pas plus d'un système HF sur la même fréquence en un même emplacement et à un même moment. Il se produit alors des interférences HF pouvant créer des bruits indésirables très perceptibles.



### SQUELCH

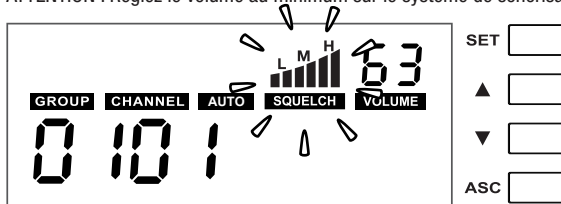
La fonction squelch élimine les bruits désagréables sur le récepteur lorsque l'émetteur est éteint. Elle supprime aussi les bruits impromptus si la puissance de transmission reçue par le récepteur est insuffisante.

Régler le squelch (lorsque l'émetteur est éteint) sur la position la plus basse où le bruit parasite disparaît. Pour les applications standard, la position recommandée est "L". La position "H" peut réduire la portée de la liaison HF dans des conditions défavorables.

Maintenez enfoncée la touche SET pendant 1 seconde puis appuyez de nouveau sur SET, trois fois. La mention SQUELCH et les symboles situés au-dessus se mettent à clignoter. Choisissez la position désirée en appuyant sur les touches Haut/Bas (L = Low, M = Mid, H = High). Appuyez de nouveau sur SET pour confirmer.

L'écran revient automatiquement en mode standard au bout d'une courte période de non-activité.

ATTENTION : Réglez le volume au minimum sur le système de sonorisation avant de régler la fonction Squelch !



# PARAMÈTRES SYSTÈME :

ENGLISH

DEUTSCH

FRANCAIS

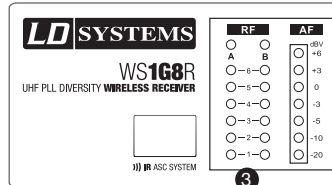
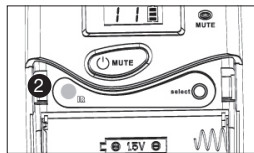
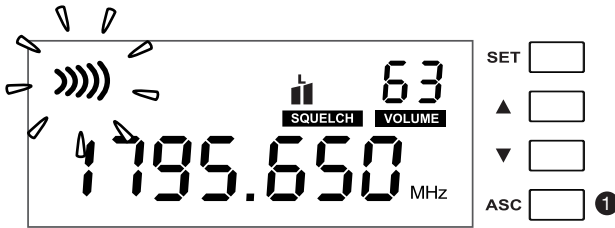
ESPAÑOL

POLSKI

ITALIANO

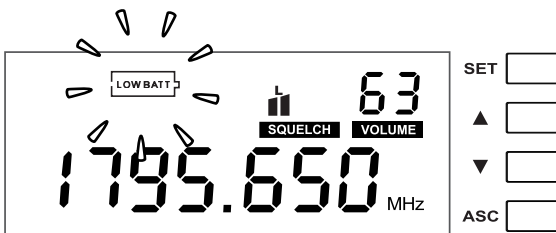
## ASC (synchronisation des fréquences par liaison infrarouge)

La fréquence HF utilisée pour une liaison doit être réglée sur une valeur identique sur l'émetteur et le récepteur. Autrement dit, après avoir sélectionné une fréquence spécifique (par son numéro de groupe et de canal), il faut synchroniser l'émetteur (à main ou de poche) sur cette même fréquence (groupe et canal) via la fonction ASC. Appuyez sur la touche ASC **1** du récepteur (le symbole ASC se met alors à clignoter à l'écran). Orientez ensuite l'interface infrarouge **2** de l'émetteur (allumé) directement vers celle du récepteur, à une distance comprise entre 5 et 20 cm. Au bout de quelques instants, le processus de synchronisation est terminé : l'indicateur de niveau HF **3** du récepteur indique la réception d'un signal.



## LOW BATT (piles faibles)

Si la mention „LOW BATT“ clignote à l'écran du récepteur, cela signifie que les piles de l'émetteur sont à remplacer sans tarder.



## EN CAS DE PROBLÈME :

PROBLÈME	ÉCRAN	SOLUTION
Pas de son, ou volume trop faible.	Émetteur : Écran éteint	Vérifiez que l'émetteur est allumé. Vérifiez que les piles sont OK.
	Récepteur : Écran éteint :	Vérifiez l'alimentation Allumez l'appareil.
	Récepteur : Indicateur HF éteint. Émetteur : Pas d'alimentation.	Vérifiez que l'émetteur et le récepteur sont réglés sur une fréquence identique.  Réduisez la distance séparant l'émetteur du récepteur. Vérifiez que l'émetteur et le récepteur se trouvent en contact visuel direct.  Vérifiez que les antennes du récepteur sont orientées vers le haut, selon une disposition en V.
	Récepteur : Indicateur HF allumé. Émetteur de poche : L'écran est éclairé, la LED Mute s'allume.	Désactivez la fonction Mute.
	Récepteur : Indicateur HF allumé.	Augmentez le volume du récepteur. Augmentez le gain sur l'émetteur. Vérifiez la liaison audio entre le récepteur et la console de mixage. Vérifiez le réglage de la console de mixage.
Distorsion ou bruit indésirable.	Récepteur : Indicateur HF allumé.	Supprimez les sources possibles d'interférences (appareils contrôlés numériquement ou autres appareils HF utilisés dans le même lieu). Réglez le système HF sur une autre fréquence.
Distorsion dans le son.	Émetteur : L'icône en forme de pile clignote. Récepteur : Indicateur de niveau audio trop élevé	Remplacer les piles  Réduisez le gain sur l'émetteur.

ENGLISH

DEUTSCH

FRANCAIS

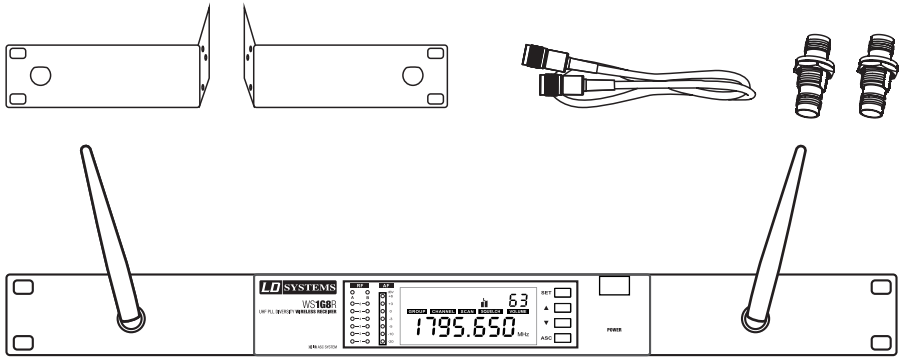
ESPAÑOL

POLSKI

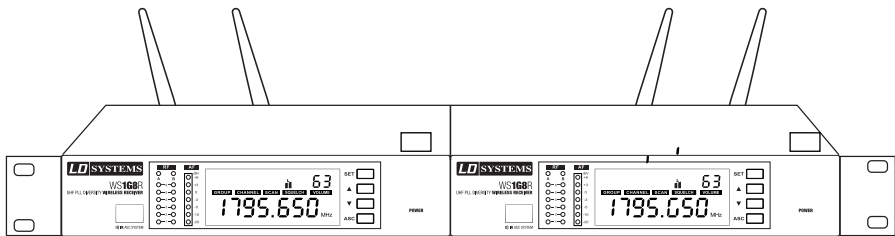
ITALIANO

## INSTALLATION EN RACK :

**LE KIT DE MONTAGE EN RACK LDWS100RK (OPTIONNEL) POUR 1 RÉCEPTEUR LDWS1G8 SE COMPOSE DE :**  
**2 SUPPORTS RACK, 2 CÂBLES TNC, 2 ADAPTATEURS TNC, JEU DE VIS**



**LE KIT DE MONTAGE EN RACK LDWS100RK2 (OPTIONNEL) POUR 2 RÉCEPTEURS LDWS1G8 SE COMPOSE DE :**  
**1 ADAPTATEUR 19", JEU DE VIS**



## CARACTÉRISTIQUES:

ENGLISH

DEUTSCH

FRANCAIS

ESPAÑOL

POLSKI

ITALIANO

RÉCEPTEUR		
Référence:	LDWS1G8R	LDWS1G8R2
Type de récepteur	True Diversity	
Modulation:	FM	
Gamme de fréquences HF :	1785 - 1800 MHz	
Nombre de canaux :	192 (16 x 12)	
Nombre de groupes :	16	
Connecteurs antenne :	2 x TNC	
Réponse en fréquence :	50 - 16000 Hz	
Squelch:	3 positions (Low, Mid, High)	
Optimisation de la transmission :	Signal pilote	
Taux de distorsion harmonique :	< 0,8%	
Rapport Signal/Bruit :	> 90 dB	
Sortie symétrique :	XLR	2 x XLR
Sortie Mix symétrique :	XLR	
Sortie asymétrique :	Jack 6,35 mm	
Sortie Mix asymétrique :	Jack 6,35 mm	
Sortie casque :	Jack 6,35 mm stéréo	
Niveau de sortie audio (symétrique) :	+6 dBu	
Niveau de sortie audio (asymétrique) :	0 dBu	
Contrôles :	Touche Power On/Off, Set, valeur Haut, valeur Bas, ASC	Touche Power On/Off, 2 x Set, 2 x valeur Haut, 2 x valeur Bas, 2 x ASC, volume casque
Indicateurs :	Écran LCD multifonctions, niveau HF Antenne A / B, niveau audio	2 x écran LCD multifonctions, 2 x niveau HF Antenne A / B, 2 x niveau audio
Tension alimentation :	12 - 18 V alt., 500 mA	12 - 18 V alt., 1000 mA
Température de fonctionnement :	-10°C ... 45°C	
Taux d'hygrométrie relative en fonctionnement :	25% ... 85%	
Dimensions (L x H x P) :	212 x 45 x 163 mm	483 x 45 x 163 mm
Poids :	0,92 kg	2,24 kg
Accessoires livrés :	Bloc secteur, 2 x antennes, câble audio	Bloc secteur, 2 x antennes, câble audio, kit montage en rack
Fonctionnalités :	Fonction de balayage de fréquences, synchronisation des fréquences via liaison infrarouge	

## CARACTÉRISTIQUES :

ÉMETTEUR À MAIN :		
Référence:	LDWS1G8MD	LDWS1G8MC
Modulation:	FM	
Gamme de fréquences HF :	1785 - 1800 MHz	
Nombre de canaux :	192 (16 x 12)	
Nombre de groupes :	16	
Type de microphone :	Dynamique	Statique
Directivité :	cardioïde	cardioïde
Réponse en fréquence :	50 - 16000 Hz	
Taux de distorsion harmonique :	<0,8%	
Rapport Signal/Bruit :	> 90 dB	
Puissance de sortie HF	10 mW	
Contrôles :	Touche On/Off	
Indicateurs :	Écran LCD multifonction	
Alimentation:	2 piles LR06 (AA)	
Autonomie :	jusqu'à 13 h, selon les piles	
Température de fonctionnement :	-10°C ... 45°C	
Taux d'hygrométrie en utilisation :	25% ... 85%	
Dimensions (L x Ø):	245 x 51 mm	
Poids :	0,34 kg	
Accessoires livrés :	2 piles LR06 (AA)	
Fonctionnalités :	Synchronisation des fréquences via infrarouge	

## CARACTÉRISTIQUES:

ENGLISH

DEUTSCH

FRANCAIS

ESPAÑOL

POLSKI

ITALIANO

<b>ÉMETTEUR DE POCHE (BODY-PACK)</b>	
Référence :	LDWS1G8BP
Modulation :	FM
Gamme de fréquences HF :	1785 - 1800 MHz
Nombre de canaux :	192
Nombre de groupes :	16
Entrées :	Mini-XLR 3 points
Réponse en fréquence :	50 - 16000 Hz
Taux de distorsion harmonique :	< 0,8%
Rapport Signal/Bruit :	> 90 dB
Puissance de sortie HF :	10 mW
Contrôles :	Touche Power / Mute, Select, sélecteur de gain 3 positions
Indicateurs :	Écran LCD multifonction, LED ASC, LED Mute
Alimentation :	2 piles LR06 (AA)
Autonomie :	jusqu'à 13 h, selon les piles
Température de fonctionnement :	-10°C ... 45°C
Taux d'humidité relatif :	25% ... 85%
Dimensions (L x H x P) :	65 x 90 x 24 mm
Poids (sans piles)	0,09 kg
Accessoires livrés :	2 x piles LR06 (AA)
Fonctionnalités :	Synchronisation des fréquences via liaison infrarouge

## CARACTÉRISTIQUES:

### MICROPHONE

Référence:	LDWS100MH1	LDWS100MH3
Type de microphone :	serre-tête	serre-tête
Capsule :	à électret (statique)	à électret (statique)
Directivité :	cardioïde	cardioïde
Réponse en fréquence :	20 - 20.000 Hz	70 - 16000 Hz
Connecteur :	Mini-XLR 3 points	Mini-XLR 3 points
Accessoires livrés :	Bonnette mousse	Bonnette mousse
Fonctionnalités :		

LDHSAE1	LDWS100ML	LDWS1000MW
serre-tête	micro cravate	microphone pour instruments à vent
à électret (statique)	à électret (statique)	à électret (statique)
bidirectionnel	cardioïde	cardioïde
80 - 16000 Hz	20 - 20000 Hz	50 - 18000 Hz
Mini-XLR 3 points	Mini-XLR 3 points	Mini-XLR 3 points
Bonnette mousse	Bonnette mousse	Bonnette mousse
Anti-humidité		

### CÂBLE GUITARE

Référence:	LDWS100GC
Connecteur 1 :	Mini-XLR 3 points
Connecteur 2 :	Jack 6,35 mm
Longueur câble :	1,5 m



## DECLARATIONS DU FABRICANT :

ENGLISH

DEUTSCH

FRANCAIS

ESPAÑOL

POLSKI

ITALIANO

### GARANTIE LIMITÉE:

Cette garantie limitée s'applique aux produits de la marque Adam Hall, LD Systems, LD Premium, Defender, Palmer, Cameo et Eminence.

Les droits inhérents à la garantie légale vis-à-vis du revendeur ne sont pas affectés par cette garantie. En fait elle justifie d'une garantie supplémentaire indépendante auprès de la société Adam Hall.

La société Adam Hall garantit que le produit que vous avez acheté Adam Hall ou à l'un de ses revendeurs officiels, est exempt de défaut matériel et d'usinage pour une durée de 2 ans (ou 3 ans pour les produits Palmer) à partir de la date d'achat, lorsqu'il est utilisé dans des conditions normales.

La période de garantie limitée débute le jour de l'achat du produit. Pour bénéficier de cette garantie vous devez produire une preuve d'achat sur laquelle figure la date d'achat du produit (ex : ticket de caisse daté, bon de livraison daté...). Si un produit d'une des marques citées ci-dessus venait à nécessiter une réparation durant la période de garantie limitée, vous aurez alors le droit de bénéficier des services de la garantie selon les termes et conditions mentionnés par ce document.

Cette garantie limitée ne s'applique qu'à l'acheteur initial de ce produit Adam Hall et ne peut être en aucun cas transférée à un tiers devenu propriétaire du produit. Durant la période de garantie limitée, Adam Hall s'engage à réparer ou remplacer les pièces défectueuses du produit. Toutes les pièces ou éléments démontés lors d'une réparation par Adam Hall deviennent la propriété d'Adam Hall.

Dans le cas improbable d'un défaut récurrent, Adam Hall peut, à sa discrétion, décider de vous fournir un produit de remplacement de son choix, dont les capacités techniques sont au moins équivalentes à celles de votre produit initial.

Adam Hall ne garantit pas que le fonctionnement de ce produit sera exempt d'erreur ou ininterrompu. Adam Hall ne peut pas être rendu responsable des dégâts résultant de votre manquement à suivre les instructions d'utilisation fournies avec votre produit.

Cette garantie limitée ne s'applique pas,

- aux pièces d'usure (ex: piles)
- aux produits dont le numéro de série a été effacé ou aux produits endommagés ou rendus défectueux par accident
- dans le cas d'une utilisation non conforme aux conditions normales d'utilisation, dans le cas d'abus ou toute autre cause externe
- dans le cas d'un usage du produit en dehors des paramètres d'utilisation stipulés dans la documentation fournie avec le produit
- dans le cas de l'usage de pièces de remplacement n'étant pas fabriquées ou vendues par Adam Hall
- dans le cas d'une modification du produit ou d'une réparation par quiconque autre qu'Adam Hall

Ces termes et conditions constituent l'accord de garantie complet et exclusif entre vous et Adam Hall concernant le produit de la marque Adam Hall que vous vous êtes procuré.

## DECLARATIONS DU FABRICANT :

### LIMITATION OF LIABILITY

Si votre produit Adam Hall devait ne pas fonctionner correctement, votre seul et unique dédommagement sera la réparation du produit ou son remplacement. La responsabilité maximale imputable à Adam Hall dans le cadre de cette garantie limitée se limite au montant le plus bas. Ce montant découle du prix d'achat du produit ou bien du coût de la réparation ou des pièces de remplacement qui sont tombés en panne dans des conditions d'utilisation normales.

Adam Hall n'est pas responsable des dommages causés par le produit ou par un dysfonctionnement du produit, y compris les pertes de profits, les pertes d'épargne, et les conséquences inhérentes à ces dommages. La responsabilité d'Adam Hall ne peut pas être engagée dans le cas d'une réclamation par un tiers ou dans le cas d'une réclamation émanant de l'acheteur initial pour le compte d'un tiers.

Cette limitation de responsabilité est valable indépendamment du fait que les dommages commis fassent l'objet de poursuites judiciaires, qu'ils fassent l'objet de réclamation (y compris pour négligence), de réclamations contractuelles ou tout autre réclamation. Cette limitation de responsabilité ne peut être amendée ou dérogée par quiconque. Elle est effective même si vous aviez avisé Adam Hall ou l'un de ses représentants officiels de la possibilité d'un tel dommage. Toutefois cette limitation de responsabilité est sans effet dans le cas de réclamations pour dommages corporels.

Cette garantie limitée vous confère des droits légaux spécifiques. Selon votre pays, ou l'État dans lequel vous vous trouvez, il est possible que vous disposiez d'autres droits. Veuillez consulter les lois applicables dans votre pays ou votre État pour déterminer l'ensemble de vos droits.

### FAIRE FONCTIONNER LA GARANTIE

Pour faire fonctionner la garantie sur ce produit, veuillez contacter Adam Hall ou le revendeur agréé auquel vous avez acheté le produit.

### DECLARATION DE CONFORMITE CE

Ces appareils répondent aux exigences essentielles et aux autres dispositions pertinentes des directives 1999/5/EC (R & TTE), 2004/108/EC (EMC) et 2006/95/EC (LVD). Pour plus d'informations, consultez [www.adamhall.com](http://www.adamhall.com).

### ELIMINATION CORRECTE DES DÉCHETS (DÉCHETS ÉLECTROMÉNAGERS)

(Applicable dans l'Union Européenne et dans les autres pays européens disposant d'un système de tri des déchets)



Ce signe figurant sur le produit, ou dans la brochure jointe au produit, indique qu'il ne doit pas être jeté dans le même bac à ordures que les déchets ménagers classiques lorsqu'il arrive en fin de vie. Pour écarter les risques de pollution de l'environnement ou les risques d'intoxication humaine dues à un mauvais traitement des déchets, veuillez séparer ce produit des autres types de déchets. Il sera ainsi inséré dans la boucle du recyclage et ces composants pourront être traités puis éventuellement réutilisés.

Nous recommandons aux particuliers de contacter leur revendeur local ou les autorités locales pour s'informer de la meilleure façon de traiter les déchets électroménagers.

Les professionnels doivent contacter leur fournisseur et examiner avec lui les termes et conditions de leur contrat d'achat. Ce produit ne doit pas être mélangé aux déchets industriels.

## DECLARATION WEEE

Votre produit LD-Systems a été développé et fabriqué avec des matériaux et des composants de haute qualité, qui peuvent être recyclés et/ou réutilisés. Ce symbole indique que les appareils électriques et électroniques, à la fin de leur durée de vie opérationnelle, doivent être gérés séparément des déchets ordinaires.

Veuillez apporter ce produit au point de collecte ou centre de recyclage local prévu pour de tels appareils. Vous contribuerez ainsi à la protection de l'environnement dans lequel nous vivons tous.

## BATTERIES ET ACCUMULATEURS

Les piles ou batteries rechargeable livrées avec l'appareil sont recyclables. Veuillez les jeter dans un bac à déchets spécial, ou déposez-les chez votre revendeur spécialisé. Pour une meilleure protection de l'environnement, ne jetez les piles que lorsqu'elles sont épuisées.

## ÉCOLOGIE ET ÉCONOMIES D'ÉNERGIE :

Économiser l'électricité contribue à la protection de l'environnement. Pensez à éteindre les appareils électriques dès que vous ne vous en servez pas. Pour éviter le gaspillage d'énergie en mode Standby (veille), débranchez le cordon secteur de la prise murale lorsqu'un appareil n'est pas utilisé.

Adam Hall GmbH, tous droits réservés. Les caractéristiques techniques et les fonctions disponibles sur le produit sont sujettes à modifications. La photocopie, la traduction et toute forme de copie, partielle ou intégrale, de ce manuel utilisateur sont interdites.



ENGLISH

DEUTSCH

FRANÇAIS

ESPAÑOL

POLSKI

ITALIANO

## Gracias por elegir LD Systems!

Este producto se ha diseñado para ofrecer una fiabilidad y durabilidad óptima. Los productos de LD Systems se caracterizan por su gran calidad, avalada por el prestigio de la marca y una dilatada experiencia como fabricante.

Le rogamos que lea atentamente estas instrucciones para familiarizarse rápidamente con este producto LD Systems y aprovechar al máximo todas las funciones.

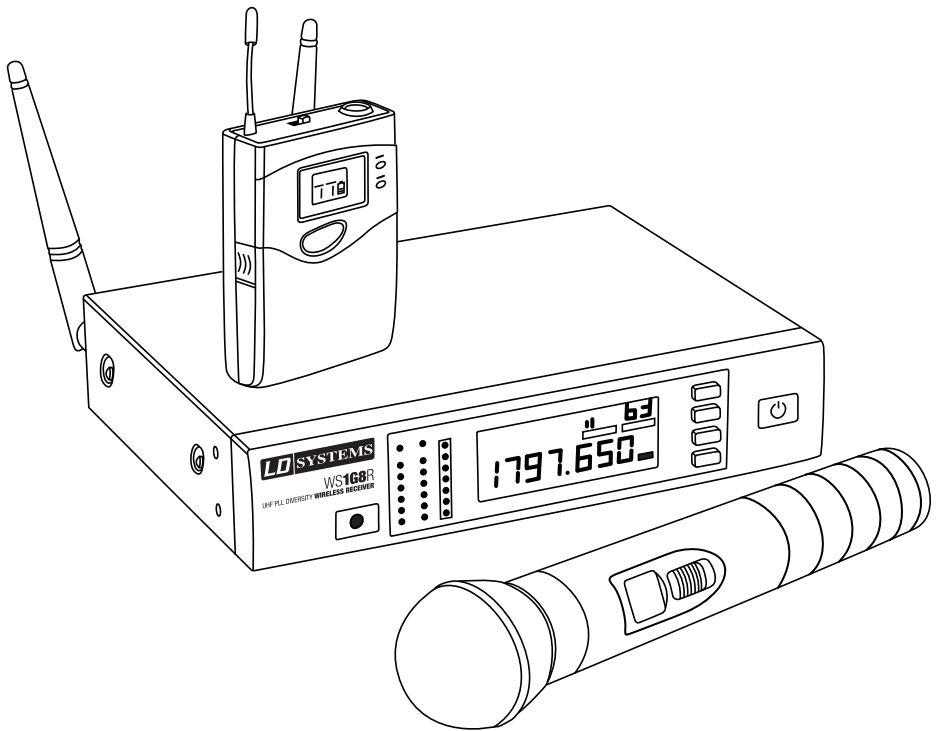
Si desea obtener información sobre LD Systems, visite nuestro sitio web [WWW.LD-SYSTEMS.COM](http://WWW.LD-SYSTEMS.COM)

## Introducción

El LD Systems WS1G8 es un avanzado sistema inalámbrico True Diversity de 192 canales UHF, que ofrece un sonido natural, un gran margen dinámico, una excelente relación señal/ruido y unos valores bajos de THD en la banda de 1.785 a 1.800 MHz. Ofrece una reproducción de sonido uniforme de 50 Hz a 16 kHz. Tanto el transmisor de micrófono como de petaca disponen de una pantalla LCD que muestra el canal, el grupo y el estado de la batería. La búsqueda automática de canales, la sincronización de frecuencias por infrarrojos y la pantalla retroiluminada multifunción del receptor permiten configurar y operar fácilmente el sistema. La autonomía máxima es de 13 horas con baterías de tipo AA de alta calidad.

# LD WS1G8

**SISTEMA INALÁMBRICO 192** CANALES UHF TRUE DIVERSITY



ENGLISH

DEUTSCH

FRANCAIS

ESPAÑOL

POLSKI

ITALIANO

## MEDIDAS DE SEGURIDAD:

1. Lea detenidamente este manual.
  2. Guarde el manual para poder consultarlo en el futuro.
  3. Siga las instrucciones del manual.
  4. Tenga en cuenta las advertencias de seguridad. No quite las instrucciones de seguridad ni cualquier otra información indicada en el equipo.
  5. Utilice el equipo únicamente según la finalidad prevista.
  6. Emplee un soporte y/o sistema de fijación estables y adecuados cuando instale el equipo de forma permanente. Asegúrese de que los soportes para pared están firmemente fijados. Asegúrese de que el equipo está instalado de forma segura y no se puede caer.
  7. Al instalar el equipo, respete las normas de seguridad aplicables en su país.
  8. Evite colocar el equipo cerca de radiadores, acumuladores de calor o cualquier otra fuente de calor. Asegúrese de que el equipo dispone de la suficiente ventilación y de que no se sobrecalentará.
  9. No coloque velas encendidas, ni otras fuentes de llama, sobre el equipo.
  10. No tape las rejillas de ventilación.
  11. No utilice el equipo cerca del agua. No exponga este equipo a materiales, líquidos o gases inflamables.
  12. Asegúrese de que el equipo no quede expuesto a goteras o salpicaduras de agua. No coloque recipientes llenos de líquido, como floreros o copas, sobre el equipo.
  13. Asegúrese de que no se caiga ningún objeto sobre el equipo.
  14. Emplee el equipo únicamente con los accesorios recomendados por el fabricante.
  15. **ADVERTENCIA:** Si el equipo tiene un conector de tierra, deberá enchufarse a una toma eléctrica con conexión de protección a tierra. No desactivar nunca esta conexión de protección a tierra del cable eléctrico.
  16. Si el equipo ha estado expuesto a un cambio brusco de temperatura (por ejemplo, después del transporte), no lo encienda inmediatamente. La condensación o la humedad podrían dañar el equipo. Deje el equipo apagado hasta que haya alcanzado la temperatura ambiente.
  17. No abra el equipo ni intente modificarlo.
  18. Antes de conectar el equipo a la red eléctrica, asegúrese de que la tensión y frecuencia son las mismas que los valores indicados en el equipo (ver etiqueta de especificaciones). Si el equipo dispone de un selector de tensión, antes de enchufarlo a la red eléctrica, asegúrese de que el valor seleccionado coincide con la tensión de suministro.
- Si el enchufe no encaja en la toma eléctrica, consulte a un electricista.
19. Asegúrese de que el cable eléctrico no está pinzado. Evite que el cable resulte pellizcado, sobre todo en los extremos de conexión al equipo y en la toma eléctrica.
  20. Para evitar accidentes y daños personales, compruebe que en toda la longitud del cableado no hay peligro de que provoque una caída, por ejemplo.
  21. Al conectar el equipo, asegúrese de que haya una toma eléctrica accesible. Desenchufe el equipo de la toma eléctrica cuando no esté en uso o antes de limpiarlo. Para desenchufarlo tire del enchufe, no del cable eléctrico.
  22. Evite encender y apagar el equipo en cortos intervalos de tiempo, ya que se reduce así la vida útil del equipo.
  23. **IMPORTANTE:** Al sustituir los fusibles, utilice únicamente fusibles del mismo tipo y características. Si el fusible se fundiera continuamente, póngase en contacto con un servicio técnico autorizado.
  24. Para desconectar completamente el equipo de la tensión eléctrica, desenchúfelo de la toma eléctrica.
  25. Si el equipo dispone de un enchufe eléctrico Volex, deberá desbloquearse el Volex del equipo para desenchufarlo. Esto implica que un tirón en el cable eléctrico puede desplazar el equipo y provocar daños personales o

## MEDIDAS DE SEGURIDAD:

ENGLISH

DEUTSCH

FRANCAIS

ESPAÑOL

POLSKI

ITALIANO

materiales. Por tanto, asegúrese de instalar los cables con sumo cuidado.

26. Si es probable que caiga un rayo por una tormenta eléctrica o si no va a emplear el equipo durante mucho tiempo, desenchufe el cable eléctrico.

27. Al transportar el equipo, para evitar daños personales o materiales, asegúrese de que no se pueda caer accidentalmente.

28. Si el equipo no funciona correctamente, o si se ha vertido líquido sobre él, o si un objeto ha caído en su interior o si ha sufrido algún desperfecto, apague inmediatamente el equipo y desenchufe el cable eléctrico. Únicamente un técnico especialista debe reparar el equipo.

29. Emplee un paño seco para limpiar el equipo.

30. Siga las normas sobre reciclaje existentes en su país. Separe el plástico del papel y cartón.

31. No deje las bolsas de plástico al alcance de los niños.



### ADVERTENCIA:

Para evitar el riesgo de descarga eléctrica, no retire la tapa (o el panel posterior). Este equipo no contiene piezas que puedan ser reparadas por el usuario. Para cualquier tarea de mantenimiento o reparación, acuda a un técnico cualificado.



El símbolo de rayo dentro de un triángulo equilátero advierte al usuario de la presencia de tensión peligrosa sin aislamiento dentro de la carcasa del producto que pueden ser de magnitud suficiente como para suponer un riesgo para las personas.



El símbolo de exclamación dentro de un triángulo equilátero advierte al usuario de la existencia de importantes instrucciones de funcionamiento y mantenimiento (reparaciones) en la documentación adjunta con el equipo.

### ADVERTENCIA: ¡ALTO VOLUMEN!

Este sistema de transmisión se destina a un uso profesional. Por consiguiente, si se aplica a un uso comercial, estará sujeto a las normas y reglamentos de la Asociación para la prevención de accidentes de su sector profesional. Como fabricante, Adam Hall tiene la obligación de informar formalmente a los usuarios de la existencia de posibles riesgos para la salud.

Daños auditivos por exposición prolongada a un nivel SPL alto: el altavoz puede generar fácilmente un nivel de presión sonora (SPL) lo suficientemente elevado como para causar daños auditivos permanentes a los artistas, el personal de producción y el público. Deben tomarse precauciones para evitar la exposición prolongada a un SPL de más de 90 dB.



## COMPONENTES DEL **SISTEMA** E INSTALACIÓN:

ENGLISH

### **LOS SISTEMAS DE UN RECEPTOR INCLUYEN**

- 1 receptor simple WS1G8
- 1 transmisor WS1G8 (micrófono de mano o petaca con micrófono/cable de guitarra)
- 2 antenas
- 1 adaptador de corriente
- 2 baterías de tipo AA
- 1 cable de audio
- 1 manual de usuario
- 1 estuche de transporte

DEUTSCH

### **LOS SISTEMAS DE DOBLE RECEPTOR INCLUYEN**

- 1 receptor doble WS1G8
- 2 transmisores WS1G8 (micrófono de mano o petaca con micrófono/cable de guitarra)
- 2 antenas
- 1 adaptador de corriente
- 4 baterías de tipo AA
- 1 cable de audio
- 1 kit de rack (2 soportes de montaje en rack, 2 cables TNC, 2 adaptadores TNC, 2 placas ciegas, 1 juego de tornillos)
- 1 manual de usuario
- 1 estuche de transporte

FRANCAIS

ESPAÑOL

### **INSTALACIÓN**

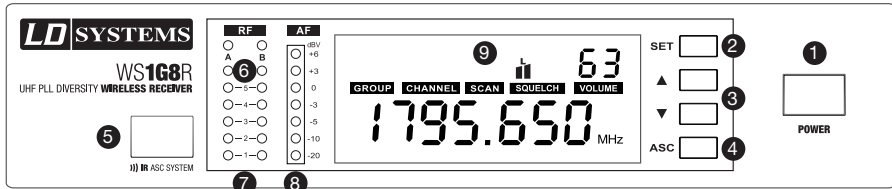
Para mejorar la recepción, sitúe el receptor a una altura mínima de 1 m y disponga las antenas hacia arriba y en forma de V. Asegúrese de que los transmisores y los receptores tienen línea visual directa y de que hay una distancia mínima de 50 cm entre las antenas receptoras y los objetos metálicos más cercanos. No instale los receptores cerca de equipos controlados digitalmente.

POLSKI

ITALIANO



## PANEL FRONTAL Y POSTERIOR DEL



### 1 BOTÓN POWER (ENCENDIDO/APAGADO)

Manténgalo pulsado durante 1 segundo

### 2 BOTÓN SET

Manténgalo pulsado durante 1 segundo para acceder al menú

### 3 VOLUMEN / VALOR

Botones ARRIBA y ABAJO

### 4 BOTÓN ASC

Sincronización de frecuencia por infrarrojos

### 5 PUERTO DE INFRARROJOS

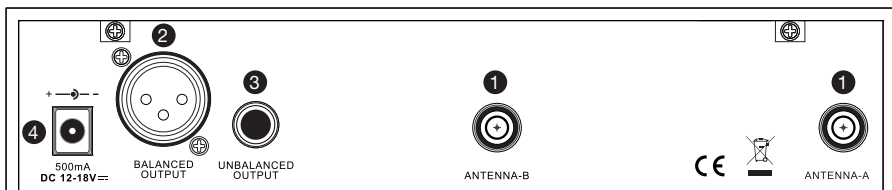
### 6 LEDS DE ANTENA A O B

Indica la entrada de antena activa (A o B)

### 7 VÚMETRO DE 6 SEGMENTOS DEL NIVEL DE RF (RADIOFRECUENCIA) DE LAS ANTENAS A Y B.

### 8 VÚMETRO DE 7 SEGMENTOS DEL NIVEL DE AUDIO

### 9 PANTALLA MULTIFUNCIONAL ILUMINADA



### 1 CONECTORES TNC DE LAS ANTENAS A Y B.

### 2 SALIDA XLR BALANCEADA.

### 3 SALIDA POR JACK DE 6,3 MM NO BALANCEADA.

### 4 TOMA DE ALIMENTACIÓN. UTILICE ÚNICAMENTE EL ADAPTADOR DE CORRIENTE SUMINISTRADO.

ENGLISH

DEUTSCH

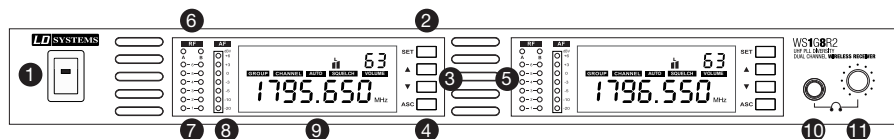
FRANCAIS

ESPAÑOL

POLSKI

ITALIANO

## PANEL FRONTAL Y POSTERIOR DEL WS1G8R2:



### 1 BOTÓN DE ENCENDIDO/APAGADO

### 2 BOTÓN SET

Manténgalo pulsado durante 1 segundo para acceder al menú

### 3 VOLUMEN / VALOR

Botones ARRIBA y ABAJO

### 4 BOTÓN ASC

Sincronización de frecuencia por infrarrojos

### 5 PUERTO DE INFRARROJOS

### 6 LEDS DE ANTENA A O B

Indica la entrada de antena activa (A o B)

### 7 VÚMETRO DE 6 SEGMENTOS DEL NIVEL DE RF (RADIOFRECUENCIA) DE LAS ANTENAS A Y B

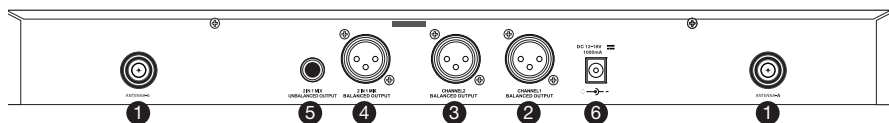
### 8 VÚMETRO DE 7 SEGMENTOS DEL NIVEL DE AUDIO

### 9 PANTALLA MULTIFUNCIÓN ILUMINADA

### 10 SALIDA DE AURICULARES

Jack estéreo de 6,3 mm

### 11 VOLUMEN DE AURICULARES



### 1 CONECTORES TNC DE LAS ANTENAS A Y B

### 2 SALIDA XLR BALANCEADA CANAL 1

### 3 SALIDA XLR BALANCEADA CANAL 2

### 4 SALIDA XLR BALANCEADA MEZCLA

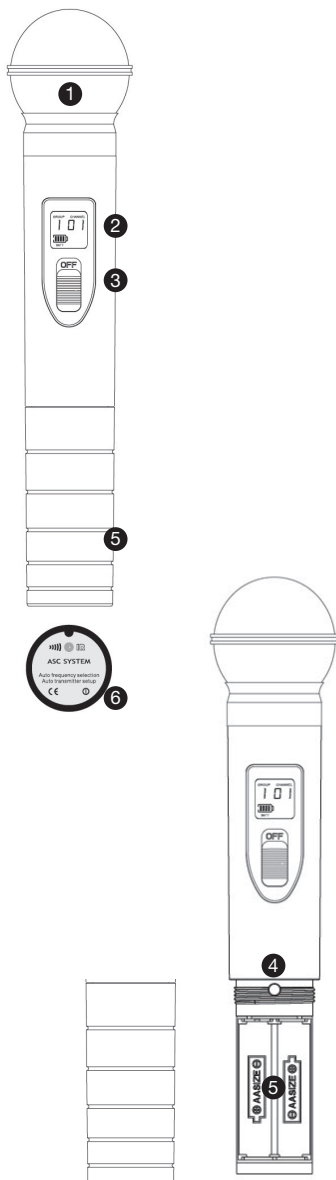
Esta salida es una mezcla de ambas señales de audio de los receptores. Puede ajustarse independientemente el control de volumen del frontal de cada receptor.

### 5 SALIDA JACK DE 6,3 MM NO BALANCEADA MEZCLA

Esta salida es una mezcla de ambas señales de audio de los receptores. Puede ajustarse independientemente el control de volumen del frontal de cada receptor.

### 6 TOMA DE ALIMENTACIÓN. UTILICE ÚNICAMENTE EL ADAPTADOR DE CORRIENTE SUMINISTRADO

## MICRÓFONO DE MANO:



### 1 CABEZA DEL MICRÓFONO

### 2 PANTALLA LCD RETROILUMINADA

Muestra el grupo, el canal y el estado de batería con un indicador de 4 segmentos. Sustituya inmediatamente las baterías cuando parpadee el símbolo de batería.

**NOTA:** La retroiluminación se apagará automáticamente al cabo de unos instantes.

### 3 INTERRUPTOR DE ENCENDIDO

### 4 CONTROL DE GANANCIA

¡Ajuste con cuidado! ¡Emplee sólo un destornillador apropiado!

Gire a la izquierda para disminuir la ganancia, o a la derecha para aumentarla.

### 5 COMPARTIMENTO DE LAS BATERÍAS

Para sustituir las baterías, desenrosque la tapa en sentido antihorario, quite las baterías, inserte 2 baterías nuevas de tipo AA (polaridad indicada en el compartimento) y vuelva a enroscar la tapa en sentido horario en el micrófono de mano. Asegúrese de que la tapa la tapa está bien apretada.

### 6 PUERTO DE INFRARROJOS IR

Ubicado en la parte inferior del micrófono de mano.

Para sincronizar la frecuencia, pulse el botón ASC del receptor (el símbolo ASC de la pantalla parpadeará) y mantenga el transmisor (encendido) con su puerto de infrarrojos apuntando directamente al puerto de infrarrojos del receptor a una distancia entre 5 y 20 cm.

## TRANSMISOR DE PETACA:

ENGLISH

DEUTSCH

FRANCAIS

ESPAÑOL

POLSKI

ITALIANO

### 1 BOTÓN DE ENCENDIDO, APAGADO Y SILENCIO

Manténgalo pulsado durante 2 segundos para apagar o encender el equipo. Púlselo brevemente para silenciar el equipo. Púlselo brevemente de nuevo para desactivar la función Silencio.

### 2 PANTALLA LCD RETROILUMINADA

Muestra el grupo, el canal y el estado de batería con un indicador de 3 segmentos. Sustituya inmediatamente las baterías cuando parpadeen el símbolo de batería y el LED ASC. Nota: La retroiluminación se apagará automáticamente al cabo de unos instantes.

### 3 ANTENA

### 4 LED ASC

Iluminado en verde de forma fija si el equipo está encendido. Parpadea en verde durante la sincronización de frecuencia. Parpadea en verde si las baterías están descargadas.

### 5 LED MUTE

Se ilumina en color rojo si la función Silencio está activada.

### 6 COMPARTIMENTO DE LAS BATERÍAS

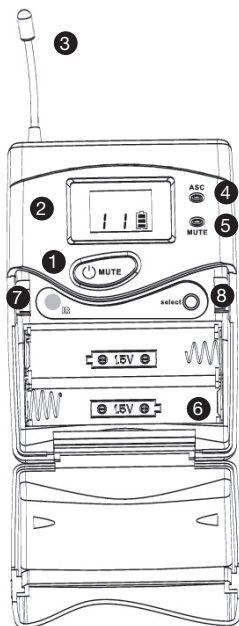
Para sustituir las baterías, presione ligeramente las posiciones marcadas en los laterales de la tapa para abrirla. Quite las baterías, inserte 2 baterías nuevas de tipo AA (polaridad indicada en el compartimento) y cierre la tapa.

### 7 PUERTO DE INFRARROJOS IR

Para sincronizar la frecuencia, abra la tapa, pulse el botón ASC del receptor (el símbolo ASC de la pantalla parpadeará) y mantenga el transmisor (encendido) con su puerto de infrarrojos apuntando directamente al puerto de infrarrojos del receptor a una distancia entre 5 y 20 cm.

### 8 SELECT

Configuración manual de un grupo de canales. Abra la tapa, mantenga pulsado el botón hasta que se muestre el número de grupo. Suelte el botón. El número de grupo parpadeará. A continuación, pulse el botón repetidamente hasta que se muestre el grupo deseado. Realice el mismo procedimiento para cambiar el número de canal. Si no pulsa ningún botón durante un breve periodo de tiempo, la pantalla vuelve automáticamente al menú principal.



## TRANSMISOR DE PETACA:

ENGLISH

DEUTSCH

FRANCAIS

ESPAÑOL

POLSKI

ITALIANO

### 9 INPUT

Entrada mini XLR de 3 pines para el micrófono o cable de guitarra suministrados.

### 10 CONMUTADOR DE GANANCIA

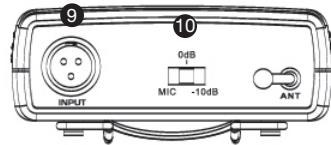
Seleccione la ganancia adecuada.

MIC = micrófono

0dB = guitarra con pastilla pasiva

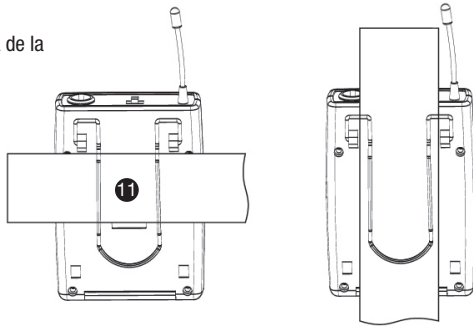
-10dB = guitarra con pastilla activa

Si la señal de audio satura al receptor, cambie la ganancia al siguiente valor inferior.

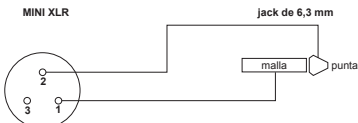


### 11 CLIP DE CINTURÓN

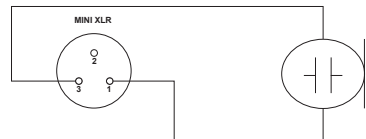
Cuelgue la petaca del cinturón o de la cinta de la guitarra, como se indica en la figura.



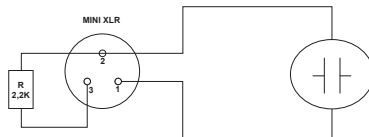
## PINEADO DEL MINI XLR DE LA PETACA



Guitarra, bajo y otras fuentes de alta impedancia



Micro de diadema, Lavalier o de instrumento de viento



Micro de diadema, Lavalier o de instrumento de viento con salida de baja sensibilidad. Una resistencia de 2K2 soldada entre los pines 2 y 3 aumenta la ganancia.

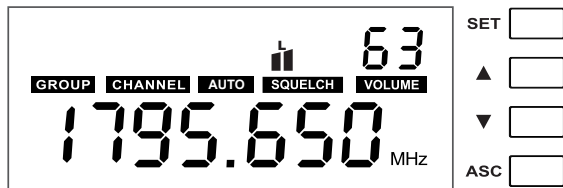
## CONFIGURACIÓN DEL SISTEMA:

### PANTALLA PRINCIPAL

La pantalla principal muestra los valores preseleccionados de frecuencia, configuración de la función Silenciador y volumen.

#### VOLUME

Pulse los botones ARRIBA y ABAJO para ajustar el volumen (00 a 63).

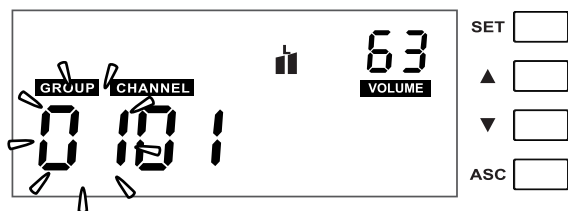


### GROUP

Mantenga pulsado el botón SET durante 1 segundo. Parpadearán GROUP y los 2 primeros dígitos. Pulse los botones ARRIBA y ABAJO para establecer el número de grupo (01 a 16). Pulse SET para confirmar.

Si no pulsa ningún botón durante un breve periodo de tiempo, la pantalla vuelve automáticamente al menú principal.

**NOTA:** Cada uno de los grupos de 01 a 16 tiene 12 canales con su propia frecuencia.

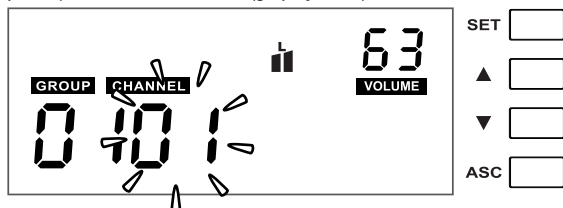


### CHANNEL

Mantenga pulsado el botón SET durante 1 segundo y luego pulse SET de nuevo. Parpadearán CHANNEL y los 2 primeros dígitos. Pulse los botones ARRIBA y ABAJO para establecer el número de canal (01 a 12). Pulse SET para confirmar.

Si no pulsa ningún botón durante un breve periodo de tiempo, la pantalla vuelve automáticamente al menú principal.

Una vez seleccionada la frecuencia (grupo y canal), será necesario sincronizar el transmisor (micro de mano o petaca) a la misma frecuencia (grupo y canal) mediante la función ASC.



## CONFIGURACIÓN DEL SISTEMA:

ENGLISH

DEUTSCH

FRANCAIS

ESPAÑOL

POLSKI

ITALIANO

### FUNCIÓN ESCÁNER DE CANALES

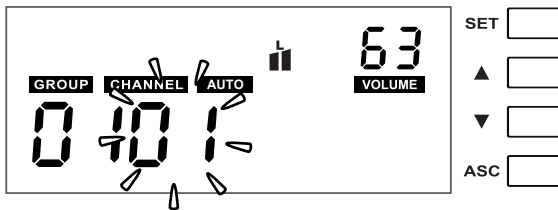
Mantenga pulsado el botón SET durante 1 segundo y luego pulse SET 2 veces. Parpadearán CHANNEL, AUTO y los 2 primeros dígitos. Pulse los botones ARRIBA y ABAJO para iniciar el escáner de canales. Una vez terminado el escaneo, la pantalla mostrará automáticamente los canales que no tienen interferencias.

Cuando se emplean varios sistemas, para realizar el escaneo de canales los sistemas ya configurados deben estar encendidos. La función de escaneo de frecuencias buscará en las frecuencias del grupo preseleccionado (01 a 16).

La precisión del escaneo depende del entorno y del número de sistemas inalámbricos simultáneos. Si el escáner detecta como libre una frecuencia que ya está siendo usada, reinicie el proceso hasta que se detecte una frecuencia libre.

Nota: Cuando haya varios sistemas funcionando, todos los canales de frecuencia deben pertenecer al mismo grupo (01 a 16).

Importante: En la misma ubicación, no debería funcionar simultáneamente más de un sistema inalámbrico en la misma frecuencia, ya que la interferencia produciría un ruido elevado.



### SILENCIADOR (SQUELCH)

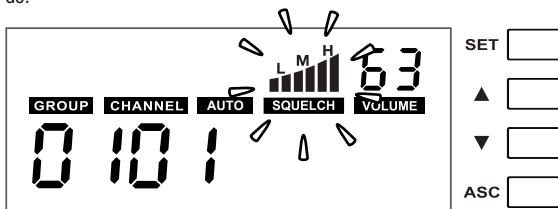
La función squelch elimina el ruido no deseado cuando el transmisor está apagado. También elimina la señal de un transmisor cuando no transmite con la suficiente potencia para llegar al receptor.

Ajuste este nivel (con el transmisor apagado) al mínimo posible con tal de que elimine el ruido. En general, se recomienda el valor "L". Si selecciona el valor "H" puede causar una distancia menor de la ruta de transmisión en condiciones desfavorables.

Mantenga pulsado el botón SET durante 1 segundo y luego pulse SET 3 veces. Parpadearán SQUELCH y los símbolos que tiene encima. Pulse los botones ARRIBA y ABAJO para seleccionar el valor L = Low (bajo), M = Mid (intermedio) o H = High (alto). Pulse SET para confirmar.

Si no pulsa ningún botón durante un breve periodo de tiempo, la pantalla vuelve automáticamente al menú principal.

ADVERTENCIA: Antes de cambiar la función Squelch, ponga al mínimo el volumen del sistema de audio conectado.



# CONFIGURACIÓN DEL SISTEMA:

ENGLISH

DEUTSCH

FRANCAIS

ESPAÑOL

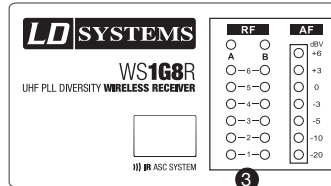
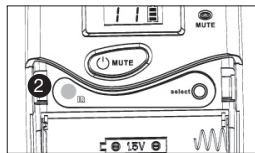
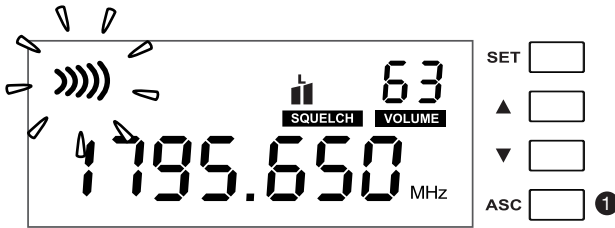
POLSKI

ITALIANO

## ASC (sincronización de frecuencia por infrarrojos)

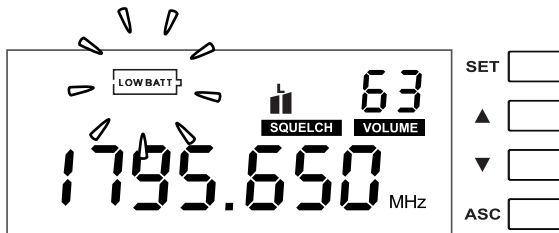
Las frecuencias de transmisión del transmisor y el receptor de un sistema inalámbrico tienen que coincidir. Una vez seleccionada la frecuencia (grupo y canal), será necesario sincronizar el transmisor (micro de mano o petaca) a la misma frecuencia (grupo y canal) mediante la función ASC.

Pulse el botón ASC **1** del receptor (el símbolo ASC de la pantalla parpadeará) y mantenga el transmisor (encendido) con su puerto de infrarrojos **2** apuntando directamente al puerto de infrarrojos del receptor a una distancia entre 5 y 20 cm. El proceso de sincronización terminará en unos momentos, y el medidor de nivel de señal RF **3** del receptor indicará presencia de señal.



## LOW BATT (Batería baja)

Si el indicador „LOW BATT“ parpadea en la pantalla del receptor sustituya inmediatamente las baterías del transmisor..





## RESOLUCIÓN DE PROBLEMAS:

PROBLEMA	PANTALLA	SOLUCIÓN
No hay sonido o el volumen es muy bajo.	Transmisor: La pantalla está apagada.	Asegúrese de que el transmisor está encendido. Asegúrese de que las baterías no están descargadas.
	Receptor: La pantalla está apagada.	Compruebe la conexión de la alimentación eléctrica. Enciéndalo.
	Receptor: El indicador RF está apagado. Transmisor: Está encendido.	Compruebe que el transmisor y el receptor tienen configurada la misma frecuencia.  Disminuya la distancia entre el transmisor y el receptor. Compruebe que el transmisor y el receptor tengan línea directa visual.  Asegúrese de que las antenas del receptor están conectadas y colocadas hacia arriba en forma de V.
	Receptor: El indicador RF se ilumina. Transmisor de petaca: La pantalla está encendida, y el LED Mute se ilumina.	Desactive la función Mute.
	Receptor: El indicador RF se ilumina.	Suba el volumen del receptor. Suba la ganancia del transmisor. Compruebe la conexión de audio del receptor y de la mesa de mezclas. Compruebe la configuración de la mesa de mezclas.
Hay distorsión o mucho ruido.	Receptor: El indicador RF se ilumina.	Elimine posibles causas de interferencia (equipos controlados digitalmente, otros sistemas inalámbricos cercanos). Configure el sistema inalámbrico en otra frecuencia de transmisión.
El sonido está distorsionado.	Transmisor: Parpadea el símbolo de batería. Receptor: El nivel AF marcado por el vúmetro es muy alto.	Sustituya las baterías  Disminuya la ganancia del transmisor.

ENGLISH

DEUTSCH

FRANCAIS

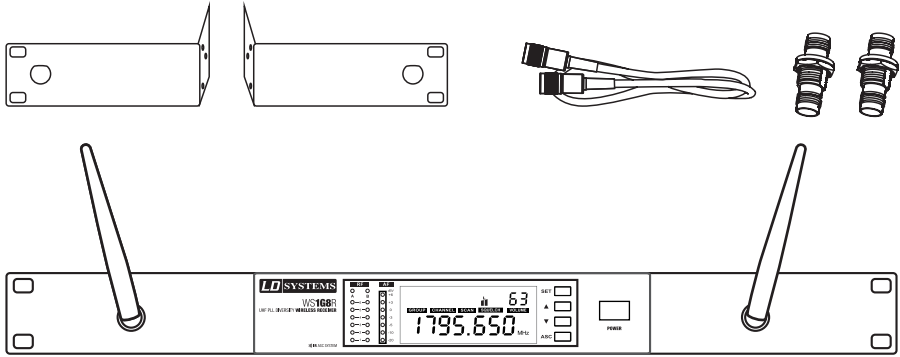
ESPAÑOL

POLSKI

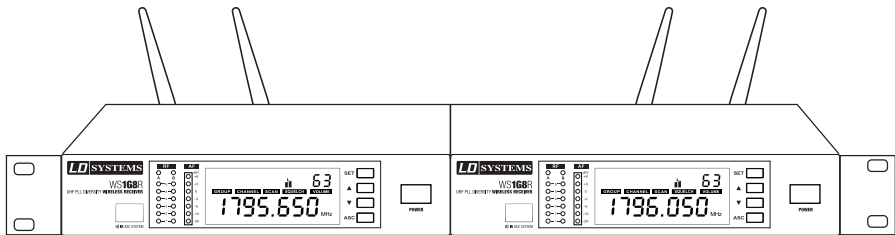
ITALIANO

# INSTALACIÓN EN RACK:

**EL KIT DE MONTAJE EN RACK LDWS100RK (OPCIONAL) PARA 1 RECEPTOR LDWS1G8 INCLUYE:  
2 SOPORTES DE RACK, 2 CABLES TNC, 2 ADAPTADORES TNC Y UN JUEGO DE TORNILLOS**



**EL KIT DE MONTAJE EN RACK LDWS100RK2 (OPCIONAL) PARA 2 RECEPTORES LDWS1G8 INCLUYE:  
1 ADAPTADOR A RACK DE 19" Y UN JUEGO DE TORNILLOS**



## CARACTERÍSTICAS TÉCNICAS:

ENGLISH

DEUTSCH

FRANCAIS

ESPAÑOL

POLSKI

ITALIANO

RECEPTOR		
Modelo:	LDWS1G8R	LDWS1G8R2
Tipo de receptor:	True Diversity	
Modulación:	FM	
Banda de frecuencias:	1.785 a 1.800 MHz	
Canales:	192 (16 x 12)	
Grupos:	16	
Conectores de antena:	2 TNC	
Respuesta en frecuencia:	50 a 16.000 Hz	
Silenciador (Squelch):	Low, Mid, High	
Optimización de transmisión:	Tono piloto	
THD:	<0,8%	
Relación señal a ruido:	>90 dB	
Salida balanceada:	XLR	2 XLR
Salida balanceada de mezcla:		XLR
Salida no balanceada:	jack de 6,3 mm	
Salida no balanceada de mezcla:		jack de 6,3 mm
Salida de auriculares:		Jack estéreo de 6,3 mm
Nivel de salida de audio (balanceado):	+6 dBu	
Nivel de salida de audio (no balanceado):	0 dBu	
Controles:	POWER, SET, ARRIBA, ABAJO, ASC	POWER, 2 SET, 2 ARRIBA, 2 ABAJO, 2 ASC, volumen de auriculares
Indicadores:	Pantalla LCD multifuncional, nivel de antena RF A/B, nivel de audio	2 pantallas LCD multifuncional, 2 niveles de antena RF A/B, 2 niveles de audio
Tensión eléctrica:	12 a 18 VDC, 500 mA	12 a 18 VDC, 1000 mA
Rango de temperatura operativa:	-10 °C a 45 °C	
Humedad relativa operativa:	25% a 85%	
Dimensiones (An x Al x F):	212 x 45 x 163 mm	483 x 45 x 163
Peso:	0,92 kg	2,24 kg
Accesorios incluidos:	adaptador de corriente, 2 antenas, cable de audio	adaptador de corriente, 2 antenas, cable de audio, kit de montaje en rack
Características:	escáner de canal, sincronización de frecuencia por infrarrojos	

## CARACTERÍSTICAS TÉCNICAS:

### MICRÓFONO DE MANO TRANS- MISOR

Modelo:	LDWS1G8MD	LDWS1G8MC
Modulación:	FM	
Banda de frecuencias:	1.785 a 1.800 MHz	
Canales:	192 (16 x 12)	
Grupos:	16	
Tipo de micrófono:	dinámico	condensador
Patrón polar:	cardioide	cardioide
Respuesta en frecuencia:	50 a 16.000 Hz	
THD:	<0,8%	
Relación señal a ruido:	>90 dB	
Potencia de salida RF:	10 mW	
Controles:	Botón de encendido/apagado	
Indicadores:	pantalla LCD multifuncional	
Alimentación:	2 baterías de tipo AA	
Autonomía:	hasta 13 horas (en función de las baterías)	
Rango de temperatura operativa:	-10 °C a 45 °C	
Humedad relativa operativa:	25% a 85%	
Dimensiones (L x Ø):	245 x 51 mm	
Peso:	0,34 kg	
Accesorios incluidos:	2 baterías de tipo AA	
Características:	sincronización de frecuencia por infrarrojos	

## CARACTERÍSTICAS TÉCNICAS:

ENGLISH

DEUTSCH

FRANCAIS

ESPAÑOL

POLSKI

ITALIANO

TRANSMISOR DE PETACA	
Modelo:	LDWS1G8BP
Modulación:	FM
Banda de frecuencias:	1.785 a 1.800 MHz
Canales:	192
Grupos:	16
Entrada:	mini XLR de 3 pines
Respuesta en frecuencia:	50 a 16.000 Hz
THD:	<0,8%
Relación señal a ruido:	>90 dB
Potencia de salida RF:	10 mW
Controles:	Botón de encendido, Mute, Selección
Indicadores:	pantalla LCD multifuncional, LED ASC, LED Mute
Alimentación:	2 baterías de tipo AA
Autonomía:	hasta 13 horas (en función de las baterías)
Rango de temperatura operativa:	-10 °C a 45 °C
Humedad relativa operativa:	25% a 85%
Dimensiones (An x Al x F):	65 x 90 x 24 mm
Peso (sin baterías):	0,09 kg
Accesorios incluidos:	2 baterías de tipo AA
Características:	sincronización de frecuencia por infrarrojos

## CARACTERÍSTICAS TÉCNICAS:

### MICRÓFONO

Modelo:	LDWS100MH1	LDWS100MH3
Tipo de micrófono:	diadema	diadema
cápsula:	condensador back electret	condensador back electret
Patrón polar:	cardioide	cardioide
Respuesta en frecuencia:	20 a 20.000 Hz	70 a 16.000 Hz
Conector:	mini XLR de 3 pines	mini XLR de 3 pines
Accesorios incluidos:	bola antiviento	bola antiviento
Características:		

LDHSAE1	LDWS100ML	LDWS1000MW
diadema	micrófono Lavalier	micrófono de instrumento de viento
condensador back electret	condensador back electret	condensador back electret
bidireccional	cardioide	cardioide
80 a 16.000 Hz	20 a 20.000 Hz	50 a 18.000 Hz
mini XLR de 3 pines	mini XLR de 3 pines	mini XLR de 3 pines
bola antiviento	bola antiviento	bola antiviento
resistente al agua		

### CABLE DE GUITARRA

Modelo:	LDWS100GC
Conector 1:	mini XLR de 3 pines
Conector 2:	jack de 6,3 mm
Longitud:	1,5 m

## DECLARACIÓN DEL FABRICANTE:

### GARANTÍA LIMITADA

Esta garantía limitada se aplica a los productos de la marca Adam Hall, LD Systems, Defender, Palmer, Cameo y Eminence.

No afecta a los derechos de garantía legal que asume el vendedor. De hecho, le concede al usuario derechos adicionales ante Adam Hall, independientes de la garantía legal.

Adam Hall garantiza que el producto que ha adquirido de Adam Hall o de cualquier distribuidor autorizado de Adam Hall estará exento de defectos de material y mano de obra, en condiciones normales de uso, durante un período de 2 o 3 años a partir de la fecha de compra.

La garantía limitada entra en vigor el día de la fecha de compra. Para tener derecho a esta garantía será necesario presentar un justificante de compra válido en el que figure la fecha de compra del producto, por ejemplo, la factura o el albarán de entrega. Si el producto que ha adquirido necesitara una reparación durante la vigencia de la garantía limitada, tendrá derecho a obtener los servicios de garantía conforme a los términos y condiciones establecidos en este documento.

Esta garantía limitada se aplica únicamente al comprador original de este producto de Adam Hall y no se puede transferir a terceras personas a las que el comprador haya cedido la propiedad del producto. Durante el período de garantía limitada, Adam Hall se compromete a reparar o sustituir las piezas defectuosas del producto. Todas las piezas o componentes retirados durante la reparación pasarán a ser propiedad de Adam Hall.

En el caso poco probable de que se produzca un fallo recurrente en el producto adquirido, Adam Hall, a su entera discreción, podrá optar por sustituir dicho producto por otro de similares características.

Adam Hall no garantiza el funcionamiento ininterrumpido y sin fallos de este producto. Adam Hall no se hace responsable de los posibles daños ocasionados por no seguir las instrucciones de uso suministradas con el producto Adam Hall.

Esta garantía limitada no se aplica:

- en caso de desgaste normal de los consumibles (baterías, etc.)
- a los productos cuyo número de serie ha sido borrado, o que han quedado dañados y defectuosos debido a un accidente
- en caso de defectos ocasionados por una incorrecta utilización o manipulación, o cualquier otra causa ajena
- en caso de utilización del producto no conforme con los parámetros establecidos en la documentación facilitada con el producto
- en caso de utilización de piezas de repuesto no fabricadas o vendidas por Adam Hall
- si el producto ha sido modificado o reparado por personal no autorizado por Adam Hall

Estos términos y condiciones constituyen el acuerdo de garantía íntegro y exclusivo entre usted y Adam Hall en relación con el producto Adam Hall que acaba de adquirir.

## DECLARACIÓN DEL FABRICANTE:

### LIMITACIÓN DE RESPONSABILIDAD

Si su producto Adam Hall no funciona de acuerdo con las garantías mencionadas arriba, tendrá derecho exclusivamente a la reparación o sustitución del mismo. La responsabilidad máxima de Adam Hall en virtud de los términos de esta garantía está limitada al menor importe que resulte del precio de compra del producto, del coste de la reparación o la sustitución de las piezas que han dejado de funcionar en condiciones normales de uso.

Adam Hall no será responsable de cualquier daño causado por el producto o por el mal funcionamiento del producto, incluidas la pérdida de ganancias, la pérdida de ahorros o cualquier consecuencia derivada de dichas pérdidas. Adam Hall no se hará responsable de ninguna reclamación presentada por un tercero o por el comprador inicial en nombre de un tercero.

Esta limitación de responsabilidad se aplicará con independencia de que se solicite una indemnización por daños y perjuicios, o se presenten reclamaciones por negligencia, contractuales o de cualquier otra índole, y no podrá ser derogada o modificada. Esta limitación de responsabilidad será efectiva incluso en el caso de que el comprador hubiese avisado previamente a Adam Hall o a alguno de sus representantes de la posibilidad de reclamar daños y perjuicios. No obstante, esta limitación de responsabilidad no tendrá efecto en caso de reclamación por daños personales.

Esta garantía limitada le otorga derechos legales específicos. Puede que posea derechos adicionales conforme a la legislación del país o Estado en el que se encuentre. Le recomendamos que consulte la legislación vigente en su país o Estado para conocer el alcance de sus derechos.

### APLICACIÓN DE LA GARANTÍA

Para solicitar asistencia técnica en relación con el producto en garantía, póngase en contacto con Adam Hall o con el distribuidor autorizado donde adquirió el producto.

### DECLARACIÓN CE DE CONFORMIDAD

Estos dispositivos cumplen con los requisitos esenciales y otras disposiciones pertinentes de las Directivas 1999/5/EC (R & TTE), 2004/108/EC (EMC) y 2006/95/EC (LVD). Para más información, consulte [www.adamhall.com](http://www.adamhall.com).

### ELIMINACIÓN CORRECTA DE ESTE PRODUCTO (DESECHOS ELÉCTRICOS)

(Aplicable en la Unión Europea y en los países europeos que dispongan de un sistema de recogida selectiva)



El símbolo que aparece sobre el producto o en la documentación adjunta indica que, al final de su vida útil, no deberá desecharse con los demás residuos domésticos. Para evitar posibles efectos negativos en el medio ambiente y en la salud humana debidos al vertido incontrolado de desechos, no mezcle este producto con los demás residuos. La recogida selectiva ayuda a su posterior reciclaje y fomenta la reutilización sostenible de los componentes de este equipo.

Si usted es un particular, deberá ponerse en contacto con el distribuidor donde adquirió este producto, o con el ayuntamiento, para informarse sobre el reciclaje adecuado de este equipo.

Si usted es una empresa, deberá ponerse en contacto con su proveedor e informarse sobre los términos y condiciones de su contrato de compra-venta. Este producto no debe mezclarse con otros residuos industriales.



## DECLARACIÓN SOBRE WEEE

Este producto LD-Systems se ha desarrollado y fabricado con materiales y componentes de alta calidad que se pueden reciclar o reutilizar. Este símbolo indica que los equipos eléctricos y electrónicos deben separarse del resto de residuos comunes al final de su vida útil.

Para desechar este producto, llévelo al punto de recogida municipal o al centro de reciclaje específico para este tipo de equipos. De este modo, contribuirá a proteger el medioambiente.

## PILAS Y ACUMULADORES

Las pilas suministradas o las pilas recargables se pueden reciclar. Para desecharlas, deposítelas en un contenedor especial o entréguelas a su proveedor especializado. Para proteger el medioambiente, deseché sólo pilas gastadas.

## ECOLOGÍA Y AHORRO ENERGÉTICO

Ahorre energía eléctrica para proteger el medio ambiente. Para ello, apague todos los aparatos eléctricos cuando no estén en uso. Además, para evitar el consumo de energía en modo inactivo, desconecte todo aparato eléctrico de la toma de corriente cuando no esté en uso.

Adam Hall GmbH. Todos los derechos reservados. Los datos técnicos y las características funcionales del producto están sujetos a modificaciones. Se prohíbe la fotocopia, traducción y cualquier otra forma de reproducción parcial o total de este manual de usuario.



ENGLISH

DEUTSCH

FRANCAIS

ESPAÑOL

POLSKI

ITALIANO

## Dziękujemy za wybór LD Systems!

Zaprojektowaliśmy ten produkt tak, aby działał sprawnie przez wiele lat. LD Systems gwarantuje wysoką jakość produktów swoją marką i wieloma latami doświadczenia jako producent.

Prosimy abyś zapoznał się dokładnie z niniejszą instrukcją, ponieważ chcemy abyś szybko mógł cieszyć się w pełni swoim nowym produktem LD Systems.

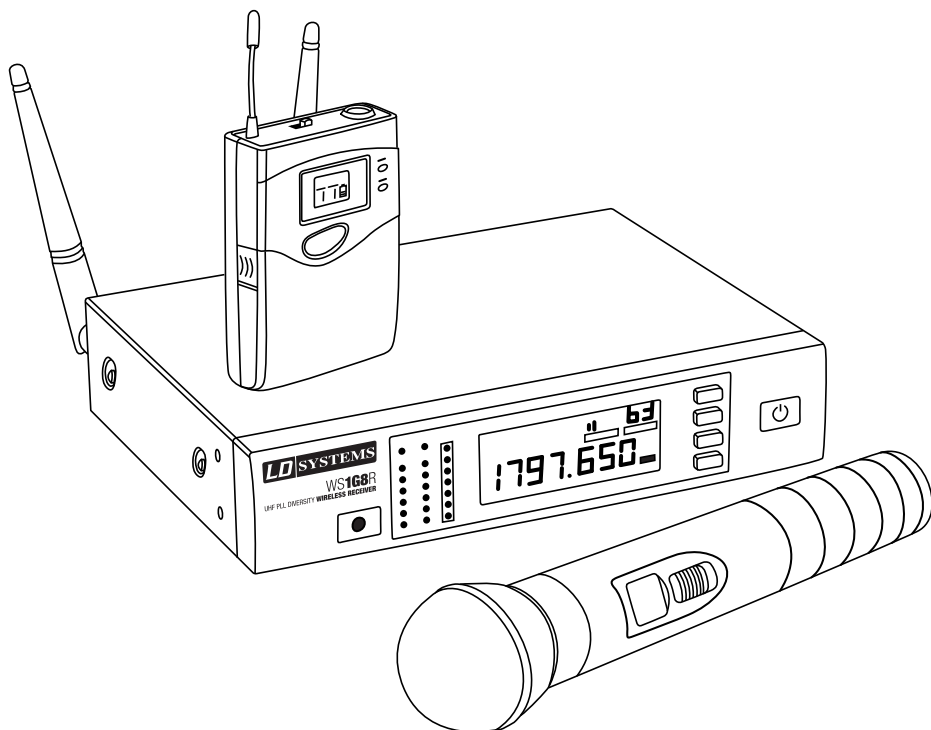
Więcej informacji na temat LD Systems znajdziesz na naszej stronie internetowej: [WWW.LD-SYSTEMS.COM](http://WWW.LD-SYSTEMS.COM)

## Wstęp

WS1G8 marki LD Systems to zaawansowany 192-kanałowy bezprzewodowy system UHF zapewniający naturalne brzmienie z dużym zakresem dynamiki, wysokim stosunkiem sygnału do szumu oraz niskim współczynnikiem zniekształceń harmonicznnych w zakresie częstotliwości 1785–1800 MHz. System ten oferuje stałą transmisję dźwięku w zakresie od 50 Hz do 16 kHz. Zarówno wersja ręczna, jak i bodypack wyposażona jest w wygodny wyświetlacz LCD, na którym widoczne są informacje dotyczące kanału, grupy i stanu baterii. Automatyczne przeszukiwanie kanałów, synchronizacja częstotliwości poprzez port podczerwieni i podświetlany wielofunkcyjny wyświetlacz odbiornika ułatwiają konfigurację i działanie systemu. Przy zastosowaniu baterii AA wysokiej jakości czas pracy wynosi do 13 godzin.

# LD WS1G8

**192-KANAŁOWY BEZPRZEWODOWY SYSTEM UHF TRUE DIVERSITY**



ENGLISH

DEUTSCH

FRANCAIS

ESPAÑOL

POLSKI

ITALIANO

## ŚRODKI OSTROŻNOŚCI:

1. Uważnie przeczytaj poniższe informacje.
2. Przechowuj wszystkie informacje i instrukcje w bezpiecznym miejscu.
3. Postępuj zgodnie z instrukcją obsługi.
4. Przestrzegaj wszystkich ostrzeżeń. Nie usuwaj instrukcji bezpieczeństwa ani żadnych innych informacji umieszczonych na urządzeniu.
5. Używaj urządzenia tylko zgodnie z jego przeznaczeniem.
6. Gdy urządzenie montowane jest na stałe, używaj wyłącznie stabilnych stojaków i/lub uchwytów ściennych, odpowiednich dla danego urządzenia. Sprawdź, czy uchwyty ścienne są właściwie zamocowane. Upewnij się, że urządzenie jest bezpiecznie zamocowane i nie występuje ryzyko jego upadku.
7. Podczas montowania przestrzegaj odpowiednich norm bezpieczeństwa obowiązujących w twoim kraju.
8. Nie montuj urządzenia w pobliżu kaloryferów, akumulatorów ciepła, pieców lub innych źródeł ciepła. Upewnij się, że urządzenie jest zamontowane w sposób, który umożliwia mu wystarczające chłodzenie i przy którym nie istnieje możliwość jego przegrzania.
9. Nie umieszczaj otwartych źródeł zapłonu (np. płonących świec) na urządzeniu.
10. Nie przykrywaj otworów wentylacyjnych.
11. Nie korzystaj z urządzenia w bezpośrednim sąsiedztwie wody. Nie wystawiaj tego urządzenia na działanie materiałów, płynów lub gazów palnych.
12. Upewnij się, że rozbryzgi lub krople wody nie dostają się do wnętrza urządzenia. Nie umieszczaj przedmiotów wypełnionych płynami, takich jak wazy lub naczynia do picia, na urządzeniu.
13. Upewnij się, że żadne przedmioty nie mogą wpaść do wnętrza urządzenia.
14. Używaj urządzenia wyłącznie z akcesoriami przeznaczonymi do tego celu przez producenta.
15. UWAGA: Jeśli urządzenie to posiada złączkę zasilania sieciowego, wyposażoną w uzziemienie ochronne, musi ono być podłączone do gniazda zasilania sieciowego z obwodem uziemiającym. Nigdy nie omijaj obwodu uziemiającego w dostarczonym przewodzie zasilającym.
16. Nie włączaj urządzenia natychmiast po narażeniu go na duże wahania temperatur (np. po transportowaniu go). Wilgoć i skraplanie mogą uszkodzić urządzenie. Nie włączaj urządzenia do momentu, gdy osiągnie ono temperaturę pokojową.
17. Nie otwieraj urządzenia i nie wprowadzaj do niego żadnych zmian.
18. Przed podłączeniem urządzenia do zasilania sieciowego, upewnij się, że napięcie i częstotliwość zasilania są takie same, jak robocze wartości urządzenia (patrz: etykieta odnośnie typu). Jeśli urządzenie posiada przełącznik wybierakowy napięcia zasilającego upewnij się, że wartości ustawione na urządzeniu odpowiadają wartościom zasilania sieciowego, przed jego podłączeniem.  
Jeśli wtyczka dołączonego przewodu nie pasuje do twojego gniazdka zasilania sieciowego, skontaktuj się z elektrykiem.
19. Unikaj stawiania na przewodzie zasilającym. Zapobiegaj ścisnieniu przewodu zasilającego, zwłaszcza w okolicach gniazda zasilania w urządzeniu i ściennego gniazda zasilania.
20. Aby zapobiec uszkodzeniu urządzenia i wypadkom spowodowanym, między innymi, potknięciem, sprawdzaj wszystkie połączenia urządzenia po jego podłączeniu.
21. Przy podłączaniu urządzenia upewnij się, że gniazdo zasilania jest łatwo dostępne.  
Gdy nie używasz urządzenia lub gdy je czyszysz zawsze odłączaj wtyczkę zasilania. Przewód zasilający odłączaj przez pociągnięcie wtyczki, a nie kabla.
22. Unikaj włączania i wyłączania urządzenia w krótkich odstępach czasu, ponieważ może to skrócić okres jego użytkowania.

## ŚRODKI OSTROŻNOŚCI:

ENGLISH

DEUTSCH

FRANCAIS

ESPAÑOL

POLSKI

ITALIANO

23. WAŻNE: Bezpiecznik wymieniaj wyłącznie na bezpiecznik tego samego rodzaju i o tej samej wartości znamionowej. Jeśli bezpiecznik wielokrotnie przepala się, należy skontaktować się z autoryzowanym serwisem.
24. Aby całkowicie odłączyć urządzenie od zasilania, należy wyciągnąć wtyk z gniazda zasilania.
25. Jeśli twoje urządzenie jest wyposażone w złącze zasilania Volex, odpowiadająca mu wtyczka urządzenia Volex powinna być odblokowana, aby ją odłączyć. Oznacza to także, że pociągnięcie za przewód zasilający może spowodować przesunięcie urządzenia, a w konsekwencji uszkodzenia ciała i mienia. Dołóż wszelkich starań w celu odpowiedniego poprowadzenia przewodów zasilających.
26. Odłącz wtyczkę, jeśli istnieje ryzyko uderzenia piorunu lub podczas długich okresów nieużywania.
27. Podczas transportu upewnij się, że i nie istnieje możliwość przewrócenia się transportowanego sprzętu i uszkodzenia ciała i mienia.
28. Jeśli urządzenie nie działa prawidłowo, zostało narażone na działanie płynów, przedmiot znalazł się we wnętrzu obudowy lub nastąpiło innego rodzaju uszkodzenie urządzenia, niezwłocznie wyłącz urządzenie i odłącz od źródła zasilania. Urządzenie może być naprawiane wyłącznie przez autoryzowanych specjalistów.
29. Czyść urządzenie wyłącznie za pomocą suchej szmatki.
30. Przestrzegaj wszystkich krajowych przepisów związanych z utylizacją odpadów. Podczas utylizacji oddziel plastik od papieru/tekstury.
31. Plastikowe torby należy przechowywać w miejscu niedostępnym dla dzieci.



### UWAGA:

Aby zmniejszyć zagrożenie porażeniem elektrycznym, nie zdejmuj pokrywy (lub tylnej części obudowy). Wewnątrz nie znajdują się części, które użytkownik mógłby samodzielnie naprawić. Pozostaw obsługę serwisową wykwalifikowanym fachowcom.



Symbol błyskawicy ze strzałką wpisany w trójkąt ostrzega użytkownika przed obecnością nieizolowanego "niebezpiecznego napięcia" wytworzonego w obrębie obudowy wyrobu, które może stanowić zagrożenie dla człowieka.



Znak wykrzyknika wewnątrz trójkąta równobocznego zwraca uwagę użytkownika na umieszczone w dokumentach dostarczonych wraz z produktem instrukcje zawierające ważne wskazówki odnośnie obsługi lub konserwacji (serwisu) urządzenia.

### OSTRZEŻENIE! WYSOKI POZIOM GŁOŚNOŚCI!

Opisywany system transmisyjny jest przeznaczony do zastosowań profesjonalnych. W związku z tym komercyjne użytkowanie tego sprzętu podlega zasadom i przepisom bezpieczeństwa, właściwym dla danego sektora działalności, w tym regulacjom określonym przez towarzystwa ubezpieczeniowe. Przepisy nakładają na firmę Adam Hall, jako na wytwórcę, obowiązek poinformowania użytkownika o istnieniu potencjalnych zagrożeń dla zdrowia.

Głośniki mogą z łatwością wygenerować wystarczający poziom ciśnienia akustycznego (SPL), by trwale uszkodzić słuch artystów, członków ekipy produkcyjnej oraz publiczności. Należy podjąć stosowne środki bezpieczeństwa, aby uniknąć długotrwałego działania ciśnienia akustycznego, przekraczającego poziom 90 dB.

## ELEMENTY SYSTEMU I INSTALACJA:

ENGLISH

### **WSZYSTKIE SYSTEMY WYPOSAŻONE W POJEDYNCZE ODBIORNIKI OBEJMUJĄ NASTĘPUJĄCE ELEMENTY:**

- 1 pojedynczy odbiornik WS1G8
- 1 nadajnik WS1G8 (ręczny lub bodypack z mikrofonem/kablem gitarowym)
- 2 anteny
- 1 zasilacz
- 2 baterie AA
- 1 kabel audio
- 1 instrukcja obsługi
- 1 torba

DEUTSCH

### **WSZYSTKIE SYSTEMY WYPOSAŻONE W PODWÓJNE ODBIORNIKI OBEJMUJĄ NASTĘPUJĄCE ELEMENTY:**

- 1 podwójny odbiornik WS1G8
- 2 nadajniki WS1G8 (ręczny lub bodypack z mikrofonem/kablem gitarowym)
- 2 anteny
- 1 zasilacz
- 4 baterie AA
- 1 kabel audio
- 1 zestaw montażowy (2 uchwyty do montażu w szafie typu rack, 2 kable TCN, 2 adaptory TNC, 2 zaślepki, 1 zestaw śrub)
- 1 instrukcja obsługi
- 1 torba

FRANCAIS

ESPAÑOL

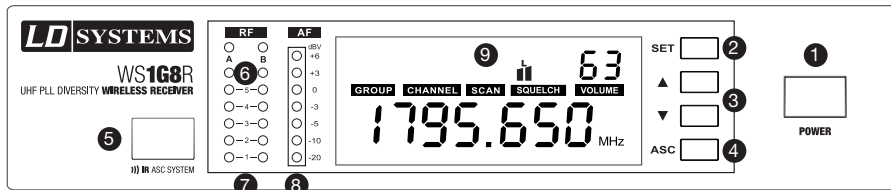
### **MONTAŻ**

Aby zapewnić możliwie najlepszy odbiór, należy umieścić odbiornik na wysokości co najmniej 1 m oraz skierować anteny ku górze i ustawić je tak, aby tworzyły literę V. Należy dopilnować, by nadajniki i odbiorniki znajdowały się w bezpośredniej linii widzenia oraz by anteny odbiorcze oddalone były od metalowych przedmiotów o co najmniej 50 cm. Nie należy umieszczać odbiorników w pobliżu urządzeń sterowanych cyfrowo.

POLSKI

ITALIANO

## PANEL PRZEDNI/TYLNY URZĄDZENIA:



### 1 WŁĄCZANIE/WYŁĄCZANIE ZASILANIA

Nacisnąć i przytrzymać przez 1 sekundę

### 2 PRZYCIŚK SET

Nacisnąć i przytrzymać przez 1 sekundę, aby uzyskać dostęp do opcji menu

### 3 GŁOŚNOŚĆ/WARTOŚĆ

Przyciski Góra i Dół

### 4 PRZYCIŚK ASC

Synchronizacja częstotliwości poprzez port podczerwiieni

### 5 PORT PODCZERWIENI

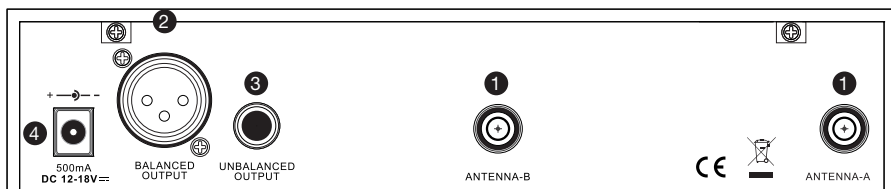
### 6 DIODY LED ANTENY A/B

Wskazują, czy wejście antenowe A lub B jest aktywne

### 7 6-SEGMENTOWY MIERNIK POZIOMU SYGNAŁU RF (CZĘSTOTLIWOŚCI RADIOWEJ) WEJŚCIA ANTENOWEGO A/B

### 8 7-SEGMENTOWY MIERNIK POZIOMU DŹWIĘKU

### 9 PODŚWIETLANY WYŚWIETLACZ WIELOFUNKCYJNY



### 1 GNIAZDA TNC ANTENY A/B

### 2 WYJŚCIE SYMETRYCZNE XLR

### 3 WYJŚCIE NIESYMETRYCZNE JACK 6,3 MM

### 4 GNIAZDO DC (NALEŻY UŻYWAĆ WYŁĄCZNIE DOSTARCZONEGO ZASILACZA)

ENGLISH

DEUTSCH

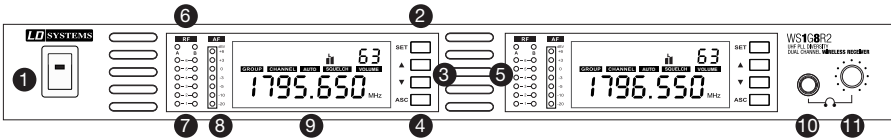
FRANCAIS

ESPAÑOL

POLSKI

ITALIANO

# PANEL PRZEDNI/TYLNY URZĄDZENIA WS1 G8R2:



## 1 WŁĄCZANIE/WYŁĄCZANIE ZASILANIA

## 2 PRZYCIISK SET

Nacisnąć i przytrzymać przez 1 sekundę, aby uzyskać dostęp do opcji menu

## 3 GŁOŚNOŚĆ/WARTOŚĆ

Przyciski Góra i Dół

## 4 PRZYCIISK ASC

Synchronizacja częstotliwości poprzez port podczerwieni

## 5 PORT POCZERWIENI

## 6 DIODY LED ANTENY A/B

Wskazują, czy wejście antenowe A lub B jest aktywne

## 7 6-SEGMENTOWY MIERNIK POZIOMU SYGNAŁU RF (CZĘSTOTLIWOŚCI RADIOWEJ) WEJŚCIA ANTENOWEGO A/B

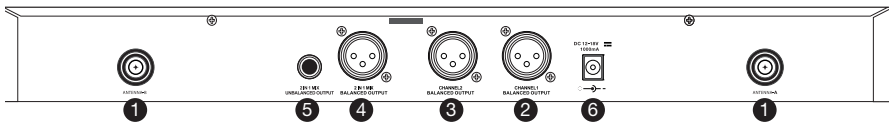
## 8 7-SEGMENTOWY MIERNIK POZIOMU DŹWIĘKU

## 9 PODŚWIETLANY WYŚWIETLACZ WIELOFUNKCYJNY

## 10 WYJŚCIE SŁUCHAWKOWE

jack 6,3 mm stereo

## 11 GŁOŚNOŚĆ SŁUCHAWEK



## 1 GNIAZDA TNC ANTENY A/B

## 2 WYJŚCIE SYMETRYCZNE XLR KANAŁU 1

## 3 WYJŚCIE SYMETRYCZNE XLR KANAŁU 2

## 4 WYJŚCIE SYMETRYCZNE XLR MIX

To wyjście obejmuje sygnały dźwiękowe obu odbiorników. W celu dokonania indywidualnej regulacji głośności należy ustawić głośność oddzielnie na panelu przednim każdego odbiornika.

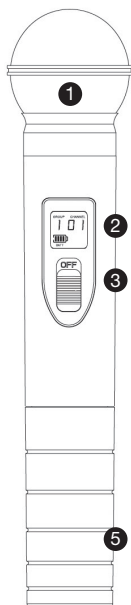
## 5 WYJŚCIE NIESYMETRYCZNE MIX JACK 6,3 MM

To wyjście obejmuje sygnały dźwiękowe obu odbiorników. W celu dokonania indywidualnej regulacji głośności należy ustawić głośność oddzielnie na panelu przednim każdego odbiornika.

## 6 GNIAZDO DC (NALEŻY UŻYWAĆ WYŁĄCZNIE DOSTARCZONEGO ZASILACZA)



## MIKROFON RĘCZNY:



### 1 GŁÓWKA MIKROFONU

### 2 PODŚWIETLANY WYŚWIETLACZ LCD

Wyświetla grupę, kanał oraz 4-segmentowy wskaźnik stanu baterii. Jeżeli symbol baterii miga, baterie należy natychmiast wymienić.

**UWAGA:** podświetlenie po krótkiej chwili wyłącza się automatycznie.

### 3 WŁĄCZNIK/WYŁĄCZNIK GŁÓWNY

### 4 STEROWANIE WZMOCNIENIEM

Obsługiwać ostrożnie! Używać wyłącznie odpowiedniego śrubokrętu!

Obrócić w lewo, aby zmniejszyć wzmacnienie, lub w prawo, aby je zwiększyć.

### 5 GNIAZDO BATERII

Aby wymienić baterie, należy odkręcić pokrywę w kierunku przeciwnym do kierunku wskazówek zegara, wyjąć baterie, włożyć 2 nowe baterie AA (w kierunku wskazanym wewnątrz gniazda) i przykręcić pokrywę mikrofonu ręcznego w kierunku zgodnym z kierunkiem wskazówek zegara. Aby zapewnić bezpieczeństwo użytkownika, należy upewnić się, że pokrywa jest mocno przykręcona.

### 6 INTERFEJS PODCZERWIENI IR

Znajduje się na spodzie mikrofonu ręcznego.

Aby dokonać synchronizacji częstotliwości, należy nacisnąć przycisk ASC znajdujący się na odbiorniku (symbol ASC na wyświetlaczu zacznie migać) i ustawić (włączony) nadajnik w takiej pozycji, aby interfejs podczerwieni skierowany był bezpośrednio na interfejs podczerwieni odbiornika, w odległości od 5 do 20 cm.

ENGLISH

DEUTSCH

FRANCAIS

ESPAÑOL

POLSKI

ITALIANO

## NADAJNIK BODYPACK:

ENGLISH

DEUTSCH

FRANCAIS

ESPAÑOL

POLSKI

ITALIANO

### 1 PRZEŁĄCZNIK ZASILANIA/WYCISZANIA

Nacisnąć i przytrzymać przez 2 sekundy, aby włączyć lub wyłączyć nadajnik.  
Nacisnąć krótko, aby włączyć wyciszenie. Ponownie nacisnąć krótko, aby wyłączyć wyciszenie.

### 2 PODŚWIETLANY WYŚWIETLACZ LCD

Wyświetla grupę, kanał oraz 3-segmentowy wskaźnik stanu baterii. Jeżeli symbol baterii oraz zielona dioda LED ASC migają, baterie należy natychmiast wymienić. Uwaga: podświetlenie po krótkiej chwili wyłącza się automatycznie.

### 3 ANTENA

### 4 DIODA LED ASC

Jeżeli zasilanie jest włączone, zielona dioda LED świeci się ciągłym światłem.  
Podczas synchronizacji częstotliwości zielona dioda LED miga.  
Jeżeli baterie są na wyczerpaniu, zielona dioda LED miga.

### 5 DIODA LED WYCISZENIA

Jeżeli wyciszenie jest włączone, świeci się na czerwono.

### 6 GNIAZDO BATERII

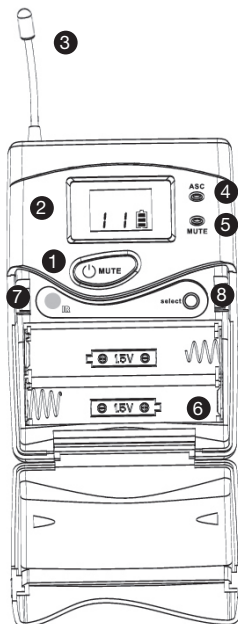
Aby wymienić baterie, należy lekko nacisnąć pokrywę w zaznaczonych miejscach po lewej i prawej stronie, a następnie ją otworzyć. Wyjąć baterie, włożyć 2 nowe baterie AA (w kierunku wskazanym wewnątrz gniazda) i zamknąć pokrywę.

### 7 INTERFEJS PODCZERWIENI IR

Aby dokonać synchronizacji częstotliwości, należy otworzyć pokrywę i nacisnąć przycisk ASC znajdujący się na odbiorniku (symbol ASC na wyświetlaczu zacznie migać), a następnie ustawić (włączony) nadajnik w takiej pozycji, aby interfejs podczerwieni skierowany był bezpośrednio na interfejs podczerwieni odbiornika, w odległości od 5 do 20 cm.

### 8 WYBÓR

Ręczne ustawianie grupy i kanału.  
Otworzyć pokrywę, nacisnąć i przytrzymać przycisk po momencie pojawienia się wyłącznika numeru grupy. Zwolnić przycisk. Numer grupy miga. Następnie naciskając krótko przycisk, zmieniać wartość do momentu pojawienia siężądanego numeru grupy. Wykonać tę samą procedurę w celu zmiany numeru kanału. Po krótkim czasie bezczynności wyświetlacz automatycznie powróci do widoku podstawowego.



## NADAJNIK BODYPACK:

ENGLISH

DEUTSCH

FRANCAIS

ESPAÑOL

POLSKI

ITALIANO

### 9 WEJŚCIE

3-stykowe mini wejście XLR dla dołączonego kabla mikrofonowego lub gitarowego.

### 10 PRZEŁĄCZNIK WZMOCNIENIA

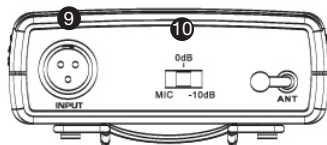
Należy wybrać odpowiednie ustawienie wzmocnienia.

MIC = mikrofon

0dB = gitara z przetwornikiem pasywnym

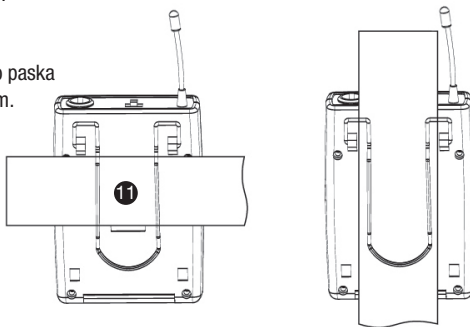
-10dB = gitara z przetwornikiem aktywnym

Jeżeli sygnał dźwiękowy powoduje przeciążenie odbiornika, należy zmniejszyć wzmocnienie.

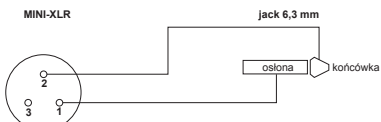


### 11 KLIPS DO PASKA

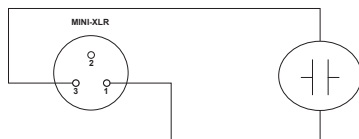
Należy przymocować nadajnik bodypack do paska spodni lub paska gitary zgodnie z rysunkiem.



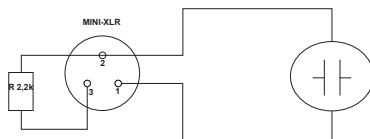
## UKŁAD STYKÓW WEJŚCIA MINI-XLR W NADAJNIKU BODYPACK



Gitara, bas oraz inne źródła wysokiej impedancji



Mikrofon nagłowny, przypinany lub do instrumentów dętych



Mikrofon o niskiej mocy nagłowny, przypinany lub do instrumentów dętych. Rezystor 2,2 kOhm przyłutowany na styku 2 i 3 zwiększa wzmocnienie.

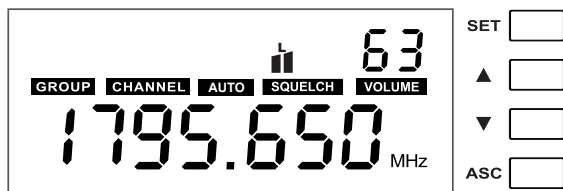
## USTAWIENIA SYSTEMU:

### STANDARDOWY WYŚWIETLACZ

Na standardowym wyświetlaczu widać wybraną wstępnie częstotliwość, ustawienia blokady szumów i poziom głośności.

### GŁOŚNOŚĆ

Za pomocą przycisków Góra i Dół ustawić żądany poziom głośności (00–63).



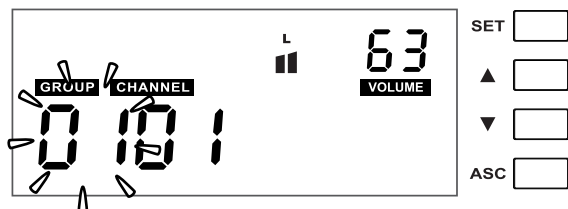
### GRUPA

Nacisnąć przycisk SET i przytrzymać go przez 1 sekundę. Parametr GROUP i pierwsze dwie cyfry migają.

Za pomocą przycisków Góra i Dół ustawić żądaną grupę (01–16). Ponownie naciskając przycisk SET, zatwierdzić wybór.

Po krótkim czasie bezczynności wyświetlacz automatycznie powróci do widoku podstawowego.

**UWAGA:** każda z grup 01–16 obejmuje 12 kanałów, z których każdy odpowiada określonej częstotliwości.

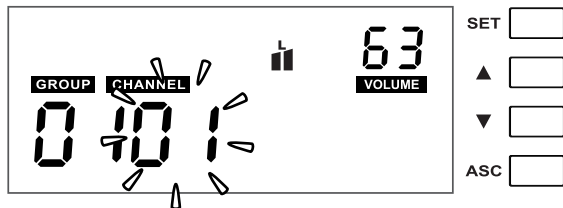


### KANAŁ

Nacisnąć przycisk SET i przytrzymać go przez 1 sekundę, a następnie nacisnąć przycisk SET ponownie. Parametr CHANNEL i 2 cyfry poniżej migają. Za pomocą przycisków Góra i Dół ustawić żądany kanał (01–12). Ponownie naciskając przycisk SET, zatwierdzić wybór.

Po krótkim czasie bezczynności wyświetlacz automatycznie powróci do widoku podstawowego.

Po wybraniu określonej częstotliwości (grupy i kanału) należy przy użyciu funkcji ASC odpowiednio zsynchronizować nadajnik (ręczny lub bodypack), aby działał na tej samej częstotliwości (grupy i kanału).



## USTAWIENIA SYSTEMU:

ENGLISH

DEUTSCH

FRANCAIS

ESPAÑOL

POLSKI

ITALIANO

### FUNKCJA PRZESZUKIWANIA KANAŁÓW

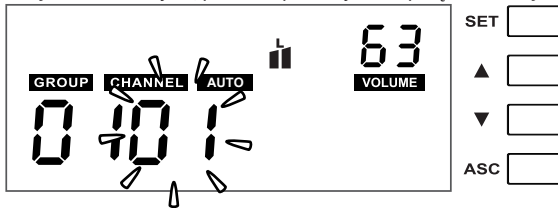
Nacisnąć przycisk SET i przytrzymać go przez 1 sekundę, a następnie nacisnąć przycisk SET dwa razy. Parametry CHANNEL, AUTO i 2 cyfry poniżej migają. Za pomocą przycisków Góra i Dół rozpocząć proces przeszukiwania kanałów. Po zakończeniu przeszukiwania na wyświetlaczu pojawi się automatycznie wybrany kanał wolny od zakłóceń.

Przy korzystaniu z wielu systemów, po ukończeniu wyboru częstotliwości za pomocą funkcji przeszukiwania kanałów ustawione uprzednio systemy powinny pozostać włączone w celu dalszego przeszukiwania kanałów. Funkcja przeszukiwania częstotliwości dotyczy wstępnie zaprogramowanych ustawień częstotliwości we wstępnie wybranej grupie (01–16).

Dokładność wyników przeszukiwania zależy od środowiska i od liczby używanych jednocześnie systemów bezprzewodowych. Jeżeli funkcja przeszukiwania w niekorzystnych warunkach nie rozpoznaje używanej już częstotliwości, należy uruchomić proces przeszukiwania ponownie, dopóki nie zostanie znaleziona wolna częstotliwość.

Uwaga: w przypadku korzystania z wielu systemów każdy kanał częstotliwości musi należeć do tej samej grupy (01–16).

Ważne: nie należy używać więcej niż jednego systemu bezprzewodowego na tej samej częstotliwości, w tym samym czasie i miejscu, ponieważ powoduje to niepożądane szумы wywołane zakłóceniami radiowymi.



### BLOKADA SZUMÓW

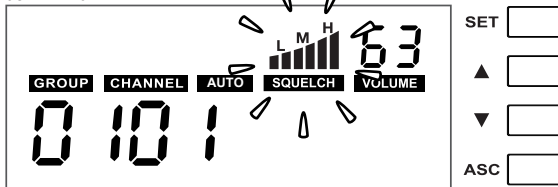
Funkcja blokady szumów eliminuje zakłócenia, które występują, gdy nadajnik jest wyłączony. Tłumi ona także nagłe szумы, które pojawiają się, gdy odbiornik nie otrzymuje wystarczającej mocy nadawczej.

Należy ustawić blokadę szumów (przy wyłączonym nadajniku) na najniższy z możliwych poziomów, który pozwala na eliminację niepożądanych zakłóceń. W przypadku zastosowań standardowych zaleca się ustawienie wartości „L”. Ustawienie „H” może w niekorzystnych warunkach spowodować zmniejszenie zasięgu działania urządzenia.

Nacisnąć przycisk SET i przytrzymać go przez 1 sekundę, a następnie nacisnąć przycisk SET 3 razy. Parametr SQUELCH i symbole powyżej migają. Za pomocą przycisków Góra i Dół wybrać żądane ustawienie (L = Low, M = Mid, H = High). Ponownie naciskając przycisk SET, zatwierdzić wybór.

Po krótkim czasie bezczynności wyświetlacz automatycznie powróci do widoku podstawowego.

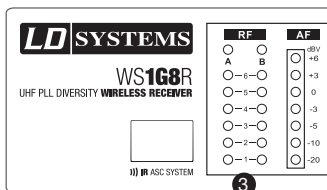
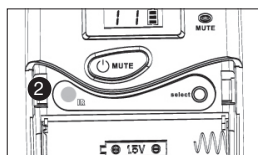
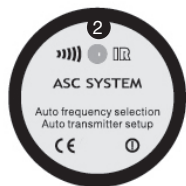
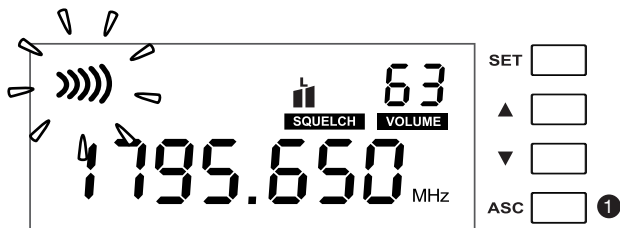
UWAGA: przed przystąpieniem do regulacji funkcji blokady szumów należy obniżyć poziom głośności systemu PA do minimum!



## USTAWIENIA SYSTEMU:

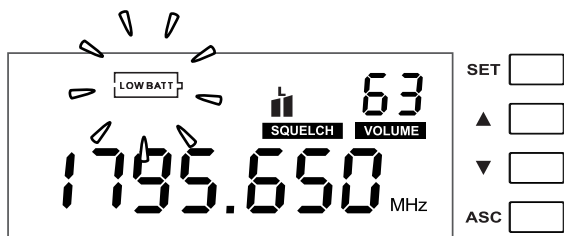
### ASC (synchronizacja częstotliwości poprzez port podczerwieni)

Częstotliwość transmisji systemu bezprzewodowego powinna być taka sama dla nadajnika i dla odbiornika. Po wybraniu określonej częstotliwości (grupy i kanału) należy przy użyciu funkcji ASC odpowiednio zsynchronizować nadajnik (ręczny lub bodypack), aby działał na tej samej częstotliwości (grupy i kanału). Należy nacisnąć przycisk ASC **1** na odbiorniku (symbol ASC na wyświetlaczu zacznie migać) i ustawić (włączony) nadajnik **2** w takiej pozycji, aby interfejs podczerwieni skierowany był bezpośrednio na interfejs podczerwieni odbiornika, w odległości od 5 do 20 cm. Po krótkiej chwili proces synchronizacji zakończy się, a miernik poziomu sygnału RF **3** odbiornika sygnalizować będzie odbiór sygnału.



### LOW BATT (słaba bateria)

Jeśli na wyświetlaczu odbiornika miga wskaźnik „LOW BATT”, należy niezwłocznie wymienić baterie w nadajniku.



## ROZWIĄZYWANIE PROBLEMÓW:

ENGLISH

DEUTSCH

FRANCAIS

ESPAÑOL

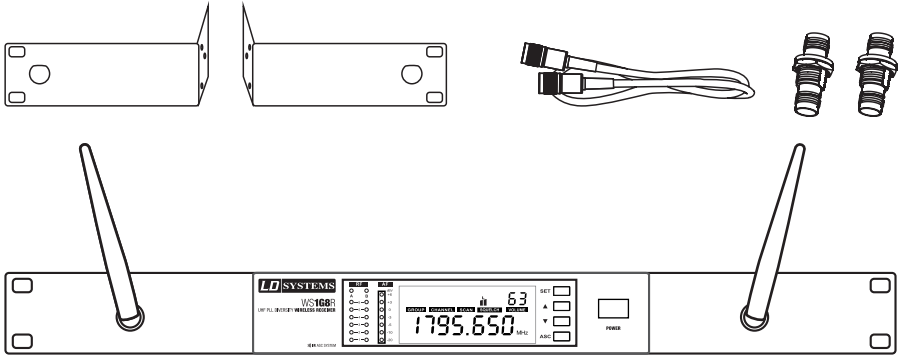
POLSKI

ITALIANO

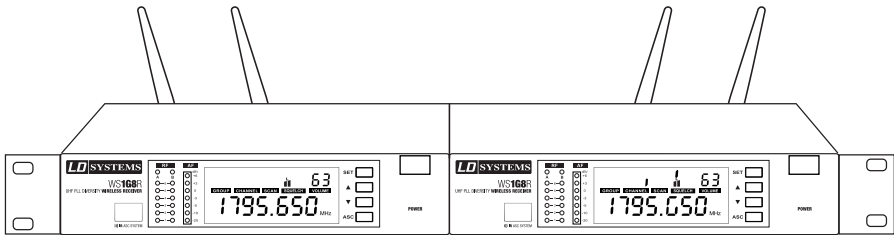
PROBLEM	WYŚWIETLACZ	ROZWIĄZANIE
Brak dźwięku lub zbyt cichy dźwięk.	Nadajnik: wyświetlacz jest wyłączony.	Upewnić się, że nadajnik jest włączony. Upewnić się, że problem nie dotyczy baterii.
	Odbiornik: wyświetlacz jest wyłączony.	Sprawdzić zasilanie. Włączyć zasilanie.
	Odbiornik: wskaźnik RF jest wyłączony. Nadajnik: zasilanie jest wyłączone.	Sprawdzić, czy dla nadajnika i odbiornika ustawiono taką samą częstotliwość.  Zmniejszyć odległość między nadajnikiem a odbiornikiem. Dopilnować, by nadajnik i odbiornik znajdowały się w bezpośredniej linii widzenia.  Upewnić się, że anteny odbiornika są podłączone, skierowane ku górze i ustawione tak, aby tworzyły literę V.
	Odbiornik: wskaźnik RF jest podświetlony. Nadajnik bodypack: wyświetlacz jest włączony, świeci się dioda LED wyciszenia.	Wyłączyć wyciszenie.
	Odbiornik: wskaźnik RF jest podświetlony.	Zwiększyć głośność odbiornika. Zwiększyć wzmocnienie nadajnika. Sprawdzić połączenia audio odbiornika i stołu mikserskiego. Sprawdzić ustawienia stołu mikserskiego.
Zniekształcenia lub niepożądane szumy.	Odbiornik: wskaźnik RF jest podświetlony.	Usunąć potencjalne przyczyny zakłóceń (urządzenia sterowane cyfrowo, inne systemy bezprzewodowe działające w tym samym miejscu). Ustawić inną częstotliwość transmisji systemu bezprzewodowego.
Zniekształcony dźwięk.	Nadajnik: miga symbol baterii. Odbiornik: miernik sygnału AF wskazuje zbyt wysoką wartość.	Wymienić baterie.  Zmniejszyć wzmocnienie nadajnika.

## MONTAŻ W SZAFIE TYPU RACK:

**ZESTAW MONTAŻOWY LDWS100RK (OPCJONALNY) DLA JEDNEGO ODBIORNIKA LDWS1G8, SKŁADAJĄCY SIĘ Z NASTĘPUJĄCYCH ELEMENTÓW:  
2 UCHWYTY DO MONTAŻU W SZAFIE TYPU RACK, 2 KABLE TNC, 2 ADAPTERY TNC, ZESTAW ŚRUB**



**ZESTAW MONTAŻOWY LDWS100RK2 (OPCJONALNY) DLA DWÓCH ODBIORNIKÓW LDWS1G8, SKŁADAJĄCY SIĘ Z NASTĘPUJĄCYCH ELEMENTÓW:  
1 ADAPTER DO MONTAŻU W SZAFIE TYPU RACK 19", ZESTAW ŚRUB**





## SPECYFIKACJA:

ENGLISH

DEUTSCH

FRANCAIS

ESPAÑOL

POLSKI

ITALIANO

ODBIORNIK		
Nazwa modelu:	LDWS1G8R	LDWS1G8R2
Typ odbiornika:	true diversity	
Modulacja:	FM	
Zakres częstotliwości:	1785–1800 MHz	
Liczba kanałów:	192 (16 x 12)	
Grupy:	16	
Złącza anteny:	2 x TNC	
Charakterystyka częstotliwościowa:	50–16.000 Hz	
Blokada szumów:	Low, Mid, High	
Optymalizacja transmisji:	pilot tone	
Zniekształcenia THD:	< 0,8%	
Stosunek sygnału do szumu:	> 90 dB	
Wyjście symetryczne:	XLR	2 x XLR
Wyjście symetryczne mix:		XLR
Wyjście niesymetryczne:	jack 6,3 mm	
Wyjście niesymetryczne mix:		jack 6,3 mm
Wyjście słuchawkowe:		jack 6,3 mm stereo
Poziom wyjściowy sygnał akustyczny (zbalansowany):	+6 dBu	
Poziom wyjściowy sygnał akustyczny (niezbalansowany):	0 dBu	
Regulacja:	włączanie/wyłączanie zasilania, przycisk set, przycisk zwiększania wartości, przycisk zmniejszania wartości, przycisk ASC	włączanie/wyłączanie zasilania, 2 przyciski set, 2 przyciski zwiększania wartości, 2 przyciski zmniejszania wartości, przycisk ASC, regulacja poziomu głośności słuchawek
Wskaźniki:	wielofunkcyjny wyświetlacz LCD, antena HF A/B, regulacja poziomu dźwięku	2 wielofunkcyjne wyświetlacze LCD, 2 anteny HF A/B, 2 regulacje poziomu dźwięku
Napięcie robocze:	12–18 V DC, 500 mA	12–18 V DC, 1000 mA
Zakres temperatur pracy:	-10°C ... 45°C	
Wilgotności względna w środowisku pracy:	25% ... 85%	
Wymiary (szer. x wys. x gł.):	212 x 45 x 163 mm	483 x 45 x 163
Waga:	0,92 kg	2,24 kg
Dołączone akcesoria:	zasilacz, 2 anteny, kabel audio	zasilacz, 2 anteny, kabel audio, zestaw montażowy
Właściwości:	funkcja przeszukiwania kanałów, synchronizacja częstotliwości poprzez port podczerwieni	

## SPECYFIKACJA:

<b>NADAJNIK RĘCZNY</b>		
Nazwa modelu:	LDWS1G8MD	LDWS1G8MC
Modulacja:	FM	
Zakres częstotliwości:	1785–1800 MHz	
Liczba kanałów:	192 (16 x 12)	
Grupy:	16	
Typ mikrofonu:	dynamiczny	pojemnościowy
Charakterystyka kierunkowa:	kardioidalna	kardioidalna
Charakterystyka częstotliwościowa:	50–16.000 Hz	
Zniekształcenia THD:	< 0,8%	
Stosunek sygnału do szumu:	> 90 dB	
Moc wyjściowa sygnału częstotliwości radiowej:	10 mW	
Regulacja:	Włączanie/Wyłączanie zasilania	
Wskaźniki:	wielofunkcyjny wyświetlacz LCD	
Zasilanie:	2 baterie AA	
Czas pracy:	do 13 godzin (w zależności od baterii)	
Zakres temperatur pracy:	-10°C ... 45°C	
Zakres wilgotności względnej w środowisku pracy:	25% ... 85%	
Wymiary (dł. x Ø):	245 x 51 mm	
Waga:	0,34 kg	
Dołączone akcesoria:	2 baterie AA	
Właściwości:	synchronizacja częstotliwości poprzez port podczerwieni	

**SPECYFIKACJA:**

ENGLISH

DEUTSCH

FRANCAIS

ESPAÑOL

POLSKI

ITALIANO

<b>NADAJNIK BODYPACK</b>	
Nazwa modelu:	LDWS1G8BP
Modulacja:	FM
Zakres częstotliwości:	1785–1800 MHz
Liczba kanałów:	192
Grupy:	16
Wejście:	3-stykowe mini-XLR
Charakterystyka częstotliwościowa:	50–16.000 Hz
Zniekształcenia THD:	< 0,8%
Stosunek sygnału do szumu:	> 90 dB
Moc wyjściowa sygnału częstotliwości radiowej:	10 mW
Regulacja:	Zasilanie/Wyciszenie, wybór, potrójny przełącznik wzmacnienia
Wskaźniki:	wielofunkcyjny wyświetlacz LCD, dioda LED ASC, dioda LED wyciszenia
Zasilanie:	2 baterie AA
Czas pracy:	do 13 godzin (w zależności od baterii)
Zakres temperatur pracy:	-10°C ... 45°C
Zakres wilgotności względnej w środowisku pracy:	25% ... 85%
Wymiary (szer. x wys. x gł.):	65 x 90 x 24 mm
Waga (bez baterii):	0,09 kg
Dołączone akcesoria:	2 baterie AA
Właściwości:	synchronizacja częstotliwości poprzez port podczerwieni

## SPECYFIKACJA:

MIKROFON		
Nazwa modelu:	LDWS100MH1	LDWS100MH3
Typ mikrofonu:	nagłowny	nagłowny
Kapsuła:	pojemnościowo-elektretowa tylna	pojemnościowo-elektretowa tylna
Charakterystyka kierunkowa:	kardioidalna	kardioidalna
Charakterystyka częstotliwościowa:	20–20.000 Hz	70–16.000 Hz
Złącze:	3-stykowe mini-XLR	3-stykowe mini-XLR
Dołączone akcesoria:	gąbka mikrofonowa	gąbka mikrofonowa
Właściwości:		

LDHSAE1	LDWS100ML	LDWS1000MW
nagłowny	mikrofon przypinany	mikrofon do instrumentów dętych
pojemnościowo-elektretowa tylna	pojemnościowo-elektretowa tylna	pojemnościowo-elektretowa tylna
dwukierunkowa	kardioidalna	kardioidalna
80–16.000 Hz	20–20.000 Hz	50–16.000 Hz
3-stykowe mini-XLR	3-stykowe mini-XLR	3-stykowe mini-XLR
gąbka mikrofonowa	gąbka mikrofonowa	gąbka mikrofonowa
materiał nieprzemakalny		

KABEL GITAROWY	
Nazwa modelu:	LDWS100GC
Złącze 1:	3-stykowe mini-XLR
Złącze 2:	jack 6,3 mm
Długość:	1,5 m

## DEKLARACJE PRODUCENTA:

ENGLISH

DEUTSCH

FRANCAIS

ESPAÑOL

POLSKI

ITALIANO

### OGRANICZONA GWARANCJA

Ta Ograniczona Gwarancja dotyczy produktów marek Adam Hall, LD Systems, Defender, Palmer, Cameo oraz Eminence.

Niniejsza gwarancja nie wpływa na prawa gwarancyjne wynikające z przepisów lokalnych. Jest to dodatkowa, niezależna gwarancja ze strony firmy Adam Hall.

Adam Hall gwarantuje, że zakupiony produkt Adam Hall zakupiony od firmy Adam Hall lub autoryzowanego przedstawiciela Adam Hall, pozostanie wolny od wad w materiałach i wykonaniu, przy normalnym użytkowaniu przez okres 2 lub 3 lat od daty zakupu.

Okres gwarancyjny rozpoczyna się z dniem zakupu. Aby móc skorzystać z serwisu gwarancyjnego, kupujący zobowiązany jest do przedstawienia dowodu zakupu opatrzonego datą. Dokumenty takie jak paragon, faktura lub list przewozowy mogą być dowodem daty zakupu. Jeśli produkt wymienionych powyżej marek wymaga naprawy w czasie trwania okresu gwarancyjnego, nabywcy przysługują gwarancyjne usługi serwisowe zgodne z warunkami przedstawionymi w tym dokumencie.

Niniejsza gwarancja obejmuje wyłącznie oryginalnego nabywcę produktu marki Adam Hall i nie można jej przenieść na inną osobę, która przejmie własność produktu od oryginalnego nabywcy. Podczas okresu gwarancyjnego, Adam Hall zobowiązuje się do naprawy lub wymiany wadliwych komponentów produktu. Wszystkie części i elementy wymontowane z urządzenia podczas działań serwisowych stają się własnością Adam Hall.

W mało prawdopodobnym przypadku powtórzenia się wady produktu Adam Hall, Adam Hall może zdecydować o dostarczeniu urządzenia zamiennego wybranego przez Adam Hall, które charakteryzuje się co najmniej takimi samymi parametrami jak reklamowany produkt.

Adam Hall nie gwarantuje, że eksploatacja produktu będzie przebiegać bezbłędnie lub nieprzerwanie. Adam Hall nie ponosi odpowiedzialności za uszkodzenia wynikające z niezastosowania się użytkownika do instrukcji dołączonej do produktu Adam Hall.

Ta Ograniczona Gwarancja nie dotyczy,

- części podlegających normalnemu zużyciu (np. akumulator)
- produktów, których numer seryjny został usunięty, uszkodzony lub pozbawiony czytelności wyniku wypadku
- przypadków nieprawidłowego użycia, celowego uszkodzenia lub powodów zewnętrznych
- przekroczenia dopuszczalnych parametrów pracy określonych w dokumentacji dostarczonej z produktem
- użycia części zamiennych nie pochodzących od Adam Hall
- przez modyfikację lub serwis nieprzeprowadzony przez Adam Hall

Te warunki określają kompletną i wyłączną umowę gwarancyjną między Nabywcą i firmą Adam Hall odnośnie zakupionego produktu markowego Adam Hall.

## DEKLARACJE PRODUCENTA:

### OGRANICZENIE ODPOWIEDZIALNOŚCI

Jeśli Twój produkt Adam Hall nie działa prawidłowo, wskazanym i wyłącznym rozwiązaniem jest naprawa lub wymiana. Maksymalna odpowiedzialność firmy Adam Hall w związku z niniejszą gwarancją ogranicza się maksymalnie do kwoty równej cenie zakupu produktu lub kosztów naprawy lub wymiany komponentów sprzętowych, które uległy uszkodzeniu lub nie działają prawidłowo podczas normalnego użytkowania. Adam Hall nie odpowiada za jakiegokolwiek szkody spowodowane przez produkt lub awarię produktu, włącznie z utratą zysków lub oszczędności, szczególnych, przypadkowych lub powiązanych szkód. Adam Hall nie ponosi odpowiedzialności za zobowiązania użytkownika wobec stron trzecich lub zobowiązania stron trzecich wobec użytkownika.

Ograniczenie odpowiedzialności ma zastosowanie w przypadku, gdy występują roszczenia odszkodowawcze lub składane są reklamacje na podstawie niniejszej gwarancji lub jako roszczenie z tytułu czynu niedozwolonego (włączając w to zaniedbanie oraz ścisłą odpowiedzialność za produkt), roszczenie z umowy lub jakiegokolwiek inne roszczenie. Żadna osoba nie może uchylić lub zmienić tych ograniczeń odpowiedzialności. Niniejsze ograniczenie odpowiedzialności pozostaje w mocy nawet jeśli nabywca poinformował firmę Adam Hall lub jej autoryzowanego przedstawiciela o możliwości wystąpienia takich szkód. Te ograniczenia odpowiedzialności nie dotyczą roszczeń wynikających z wystąpienia obrażeń u osób.

Niniejsza Gwarancja daje Ci pewne specyficzne prawa. Mogą przysługiwać Ci również inne prawa, które różnią się między sobą zależnie od państwa nadania. Radzimy zapoznanie się z prawem właściwym krajowi zamieszkania, w celu uzyskania kompletnej wiedzy na temat przysługujących praw.

### ŻĄDANIE OBSŁUGI GWARANCYJNEJ

Aby uzyskać obsługę gwarancyjną swojego produktu, skontaktuj się z firmą Adam Hall lub jej autoryzowanym przedstawicielem od którego kupiłeś produkt.

### DEKLARACJA ZGODNOŚCI WE

Urządzenia te odpowiadają podstawowym wymogom i innym wytycznym dyrektyw 1999/5/EC (R&TTE), 2004/108/EC (EMC) i 2006/95/EC (LVD). Więcej informacji na stronie: [www.adamhall.com](http://www.adamhall.com).

### PRAWIDŁOWE SKŁADOWANIE TEGO PRODUKTU (ODPADY ELEKTRONICZNEI)



(Informacje mają zastosowanie w krajach członkowskich UE i innych krajach europejskich, w których obowiązuje segregacja odpadów)

Ten znak na produkcie lub dołączonej dokumentacji oznacza, że nie należy go wyrzucać wraz z domowymi odpadkami po wycofaniu z użycia. Aby zapobiec możliwym szkodom dla środowiska i ludzkiego zdrowia spowodowanym niekontrolowanym składowaniem odpadów, prosimy o oddzielenie tego produktu od innych odpadów i odpowiedzialne poddanie go recyklingowi w celu promowania ciągłego odzyskiwania zasobów materiałowych.

Użytkownicy domowi powinni skontaktować się ze sprzedawcą lub lokalnym urzędem, aby uzyskać informacje na temat przyjaznej środowisku zbiórki odpadów elektronicznych.

Użytkownicy biznesowi powinni skontaktować się ze swoim dostawcą i sprawdzić warunki kontraktu nabycia. Tego produktu nie należy mieszać z innymi odpadami komercyjnymi przy składowaniu.

## DEKLARACJA-WEEE



Twój produkt LD Systems został zaprojektowany i wykonany z wysokiej jakości materiałów i komponentów, które można poddać recyklingowi i/lub użyć ponownie. Ten symbol oznacza, że sprzęt elektryczny i elektroniczny należy składować osobno od normalnych odpadów po zakończeniu użytkowania.

Prosimy, przekaż ten produkt do lokalnego punktu zbiórki lub centrum recyklingowego przeznaczonego dla tego typu sprzętu. W ten sposób przyczynisz się do ochrony środowiska, w którym żyjemy.

## BATERIE I AKUMULATORY



Dołączone baterie lub akumulatory można poddać recyklingowi. Prosimy, składuj je jako specjalne odpady lub wróć do punktu nabycia. W celu ochrony środowiska wyrzucaj wyłącznie zużyte baterie.

## OCHRONA ŚRODOWISKA I OSZCZĘDNOŚĆ ENERGII:

Oszczędność energii elektrycznej pomaga chronić środowisko. Należy wyłączyć wszystkie urządzenia elektryczne, jeśli nie są w użyciu. Aby uniknąć zużycia prądu w trybie bezczynności, należy odłączyć wszystkie urządzenia elektryczne od sieci zasilającej, gdy nie są w użyciu.

Adam Hall GmbH, wszystkie prawa zastrzeżone. Dane techniczne i funkcjonalne produktu mogą podlegać modyfikacjom. Kopiowanie, tłumaczenie i pozostałe formy reprodukcji fragmentów lub całości tej instrukcji obsługi są zabronione.



ENGLISH

DEUTSCH

FRANÇAIS

ESPAÑOL

POLSKI

ITALIANO

## Acquistando un prodotto LD Systems avete fatto la scelta giusta!

Quest'apparecchio è stato sviluppato e prodotto secondo elevati standard qualitativi che garantiscono un funzionamento regolare per molti anni. Per questo motivo LD Systems, con il suo nome e la pluriennale esperienza, rappresenta un'azienda produttrice di prodotti audio di qualità.

Leggete attentamente questo manuale d'uso per utilizzare al meglio il vostro nuovo amplificatore LD Systems.

Per ulteriori informazioni sui prodotti LD Systems consultate il nostro sito internet [WWW.LD-SYSTEMS.COM](http://WWW.LD-SYSTEMS.COM)

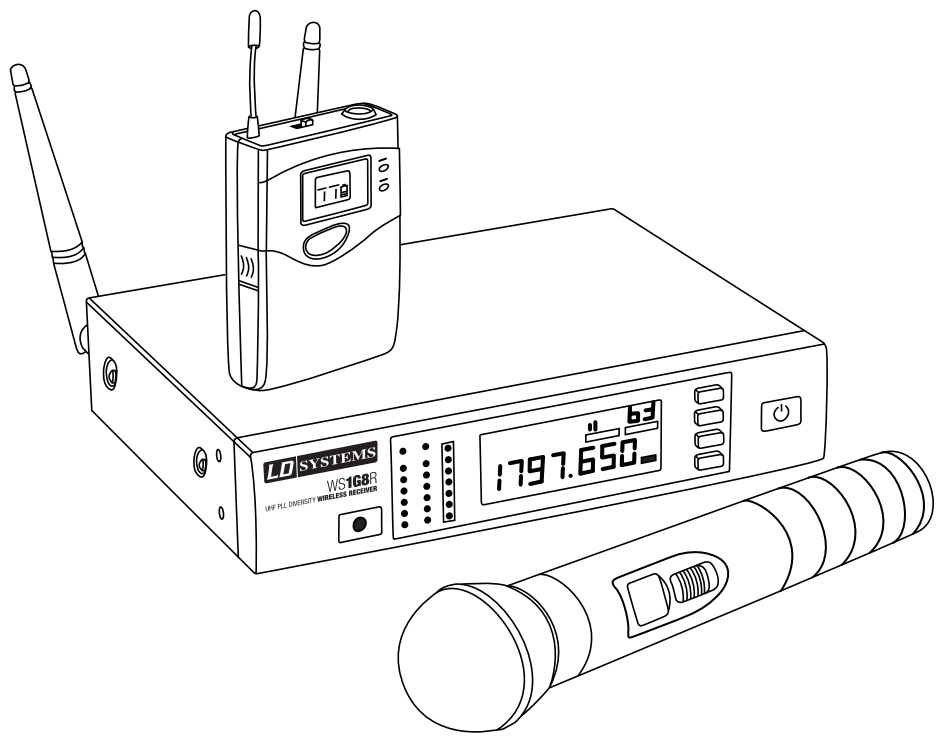
## Introduzione

Il dispositivo LD Systems WS1G8 è un sistema wireless avanzato True Diversity a 192 canali UHF caratterizzato da un suono naturale, ampio margine dinamico, un eccellente rapporto segnale/rumore e valori THD bassi nella banda 1785 - 1800 MHz. Garantisce una riproduzione audio uniforme da 50 Hz a 16 kHz. Sia il microfono gelato che il bodypack sono dotati di uno schermo LCD che indica il canale, il gruppo e lo stato della batteria. La ricerca automatica dei canali, la sincronizzazione delle frequenze tramite infrarossi e lo schermo multifunzione retroilluminato facilitano la configurazione e il funzionamento del sistema. Può raggiungere un'autonomia fino a 13 ore di funzionamento con batterie di tipo AA di alta qualità.



# LD WS1G8

**SISTEMA WIRELESS 192** CANALI UHF TRUE DIVERSITY



## MISURE PREVENTIVE:

1. Leggere attentamente queste informazioni.
2. Conservare le informazioni e istruzioni in un luogo sicuro.
3. Seguire le istruzioni.
4. Osservare tutte le avvertenze. Non togliere le istruzioni di sicurezza o qualsiasi altra informazione che si trova sul dispositivo.
5. Usare il dispositivo solo per lo scopo per cui è previsto.
6. Utilizzare unicamente dei supporti e/o sistemi di fissaggio stabili e adeguati per l'installazione permanente del dispositivo. Assicurarsi che i supporti a parete siano saldi. Assicurarsi che il dispositivo sia installato in modo sicuro e non possa cadere.
7. Quando si installa il dispositivo, osservare le norme di sicurezza del proprio paese.
8. Non installare il dispositivo vicino a radiatori, accumulatori di calore, forni o qualsiasi altra fonte di calore. Assicurarsi che il dispositivo venga sempre installato in modo da garantire una ventilazione sufficiente affinché non si surriscaldi.
9. Non collocare possibili fonti di incendio, ad es. candele accese, sul dispositivo.
10. Non coprire le griglie di ventilazione.
11. Non far funzionare il dispositivo in prossimità di acqua. Non esporre il dispositivo a materiali, liquidi o gas infiammabili.
12. Assicurarsi che eventuali rovesciamenti o spruzzi d'acqua non possano entrare all'interno del dispositivo. Non collocare oggetti pieni di fluido, come ad esempio bicchieri o coppe sopra il dispositivo.
13. Assicurarsi che non possa cadere nessun oggetto all'interno del dispositivo.
14. Usare il dispositivo unicamente con gli accessori consigliati dal fabbricante.
15. **ATTENZIONE:** Se il dispositivo ha un connettore dotato di presa di terra, dovrà essere collegato a una presa di corrente con connessione alla presa di terra. Non disattivare mai la funzione della connessione di protezione a terra del cavo di alimentazione.
16. Non accendere immediatamente il dispositivo se è stato esposto a un cambiamento brusco della temperatura (ad esempio dopo il trasporto). L'umidità e la condensazione potrebbero danneggiare il dispositivo. Lasciare spento il dispositivo fino al raggiungimento della temperatura ambiente.
17. Non aprire il dispositivo e non cercare di modificarlo.
18. Prima di collegare il dispositivo alla corrente, assicurarsi che la tensione e la frequenza siano uguali ai valori indicati nel dispositivo (vedi targhetta delle specifiche). Se il dispositivo è dotato di un selettore di tensione, assicurarsi che i valori del dispositivo corrispondano con i valori della rete elettrica prima della connessione. Se la spina del cavo di alimentazione fornito non entra nella presa, contattare un elettricista.
19. Controllare che il cavo di alimentazione non sia schiacciato. Assicurarsi che il cavo di alimentazione non venga pizzicato, soprattutto alle estremità di connessione al dispositivo e alla presa di alimentazione.
20. Per evitare danni o infortuni, ad esempio per cadute, verificare tutte le connessioni una volta collegato il dispositivo.
21. Quando si collega il dispositivo, assicurarsi che ci sia una presa elettrica comodamente accessibile. Scollegare la spina dalla presa elettrica quando non si utilizza il dispositivo o durante la sua pulizia. Scollegare il cavo di alimentazione tirando la spina, non il cavo.
22. Evitare di accendere e spegnere il dispositivo a intervalli brevi, poiché potrebbe ridurre la vita utile dello stesso.
23. **IMPORTANTE:** Sostituire il fusibile solo con fusibili dello stesso tipo e potenza nominale! Se il fusibile dovesse saltare ripetutamente, contattare un centro di assistenza autorizzato!

## MISURE PREVENTIVE:

ENGLISH

DEUTSCH

FRANCAIS

ESPAÑOL

POLSKI

ITALIANO

24. Per scollegare completamente il dispositivo dell'alimentazione, bisogna staccare il la spina.
25. Se il dispositivo è dotato di un connettore Volex, bisognerà sbloccare il Volex del dispositivo per poterlo scollegare. Ciò significa anche che se si tira il cavo di alimentazione si può spostare il dispositivo causando danni personali e/o materiali. Per questo bisogna assicurarsi di tirare i cavi con particolare attenzione.
26. Se esiste il rischio di caduta di fulmini o durante periodi di disuso prolungati, scollegare la spina.
27. Durante il trasporto, assicurarsi che il dispositivo non possa cadere e causare danni personali e/o materiali.
28. Se il dispositivo non funziona più correttamente, se è stato versato del liquido sullo stesso o è caduto un oggetto al suo interno, o è stato danneggiato in qualsiasi altro modo, spegnerlo immediatamente e scollegare il cavo di alimentazione. Questo dispositivo dovrà essere riparato solo da esperti autorizzati.
29. Utilizzare solo un panno asciutto per pulire il dispositivo.
30. Rispettare tutte le normative esistenti in termini di smaltimento dei rifiuti applicabili nel vostro paese. Separare la plastica e la carta/cartone.
31. I sacchetti di plastica devono essere tenuti lontani dalla portata dei bambini.



### ATTENZIONE:

per ridurre il rischio di scosse elettriche, non rimuovere il coperchio (o il retro). All'interno del dispositivo non sono presenti parti su cui l'utente può effettuare operazioni di manutenzione. Rivolgersi a personale qualificato per effettuare le operazioni di manutenzione.



Il simbolo del fulmine con una freccia in punta all'interno di un triangolo equilatero avverte l'utente della presenza di "tensione pericolosa" senza isolamento all'interno della carcassa del prodotto che potrebbe essere di magnitudine sufficiente per rappresentare un rischio per le persone.



Il punto esclamativo all'interno di un triangolo equilatero avverte l'utente della presenza di importanti istruzioni operative e relative alla manutenzione nella documentazione che accompagna l'apparecchio.

### ATTENZIONE! VOLUME ALTO!

Questo sistema di trasmissione verrà utilizzato a scopi professionali, pertanto l'uso commerciale dell'attrezzatura è soggetto alle norme e ai regolamenti dell'Istituto Nazionale per l'Assicurazione contro gli Infortuni sul Lavoro relativi al nostro settore industriale. Adam Hall, in qualità di produttore, è tenuto a fornire all'utente informazioni formali circa l'esistenza di possibili rischi sanitari.

Danno all'udito per esposizione prolungata a dei livelli di pressione sonora (SPL) eccessivi: l'altoparlante può raggiungere facilmente dei livelli di pressione sonora sufficienti a causare danni permanenti all'udito agli artisti, al personale della produzione e al pubblico. Bisogna adottare le precauzioni necessarie per evitare l'esposizione prolungata a una SPL superiore a 90 dB.



## COMPONENTI DEL **SISTEMA** E INSTALLAZIONE:

ENGLISH

### **I SISTEMI DEI RICEVITORI SINGOLI INCLUDONO**

- 1 ricevitore singolo WS1G8
- 1 trasmettitore WS1G8 (gelato o bodypack con microfono / cavo per chitarra)
- 2 antenne
- 1 alimentatore
- 2 batterie di tipo AA
- 1 cavo audio
- 1 manuale dell'utente
- 1 astuccio di trasporto

DEUTSCH

### **I SISTEMI DEI RICEVITORI DOPPI INCLUDONO**

- 1 ricevitore doppio WS1G8
- 2 trasmettitori WS1G8 (gelato o bodypack con microfono / cavo per chitarra)
- 2 antenne
- 1 alimentatore
- 4 batterie di tipo AA
- 1 cavo audio
- 1 kit in rack (2 supporti per montaggio in rack, 2 cavi TNC, 2 adattatori TNC, 2 piastre finte, 1 set di viti)
- 1 manuale dell'utente
- 1 astuccio di trasporto

FRANCAIS

ESPAÑOL

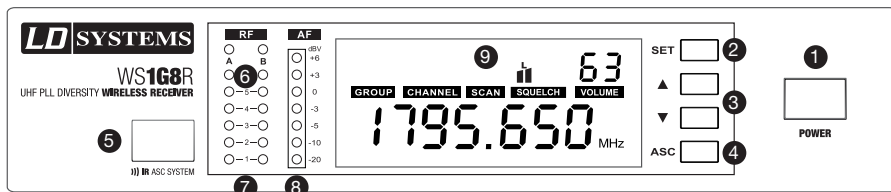
### **INSTALLAZIONE**

Per migliorare la ricezione, collocare il ricevitore ad un'altezza minima di 1 m e orientare le antenne verso l'alto, a forma di V. Assicurarsi che i trasmettitori e ricevitori siano in linea visiva diretta e che ci sia una distanza minima di 50 cm tra le antenne del ricevitore ed eventuali oggetti metallici. Non collocare i ricevitori vicino a dispositivi con controllo digitale.

POLSKI

ITALIANO

## PANNELLO FRONTALE/POSTERIORE:



### 1 ACCENSIONE / SPEGNIMENTO

Premere e mantenere premuto per 1 secondo

### 2 PULSANTE DI IMPOSTAZIONE

Premere e mantenere premuto per 1 secondo per entrare nel menù

### 3 VOLUME / VALORE

Pulsanti SU / GIÙ

### 4 PULSANTE ASC

Sincronizzazione di frequenza a infrarossi

### 5 PORTA A INFRAROSSI

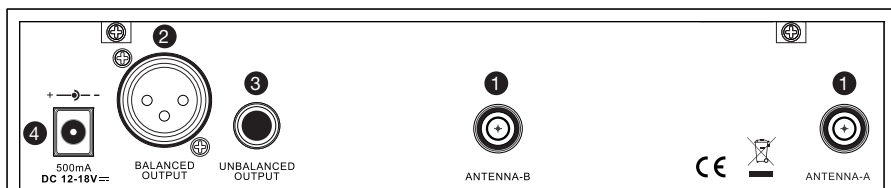
### 6 LED DI ANTENNA A/B

Indica se è attiva l'entrata dell'antenna A o B

### 7 INDICATORE DEL LIVELLO DI SEGNALE RF (RADIOFREQUENZA) A 6 SEGMENTI DELLE ANTENNE A E B.

### 8 INDICATORE DEL LIVELLO AUDIO A 7 SEGMENTI

### 9 SCHERMO MULTI-FUNZIONE ILLUMINATO



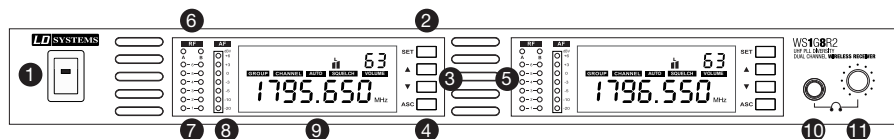
### 1 CONNETTORI TNC DELLE ANTENNE A E B.

### 2 USCITA XLR BILANCIATA.

### 3 USCITA JACK DA 6,3 MM NON BILANCIATA.

### 4 PRESA DI ALIMENTAZIONE. UTILIZZARE SOLO L'ALIMENTATORE FORNITO.

# PANNELLO FRONTALE/POSTERIORE DEL WS1G8R2:



## 1 ACCENSIONE / SPEGNIMENTO.

## 2 PULSANTE DI IMPOSTAZIONE

Premere e mantenere premuto per 1 secondo per entrare nel menù

## 3 VOLUME / VALORE

Pulsanti SU / GIÙ

## 4 PULSANTE ASC

Sincronizzazione di frequenza a infrarossi

## 5 PORTA A INFRAROSSI

## 6 LED DI ANTENNA A/B

Indica se è attiva l'entrata dell'antenna A o B

## 7 INDICATORE DEL LIVELLO DI SEGNALE RF (RADIOFREQUENZA) A 6 SEGMENTI DELLE ANTENNE A E B

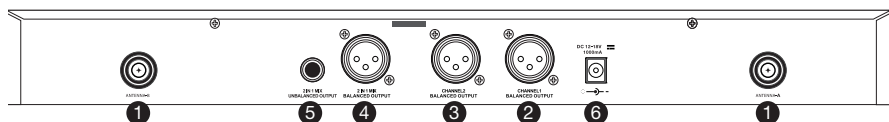
## 8 INDICATORE DEL LIVELLO AUDIO A 7 SEGMENTI

## 9 SCHERMO MULTI-FUNZIONE ILLUMINATO

## 10 USCITA CUFFIE

Jack stereo da 6,3 mm.

## 11 VOLUME CUFFIE.



## 1 CONNETTORI TNC DELLE ANTENNE A E B

## 2 USCITA XLR BILANCIATA CANALE 1

## 3 USCITA XLR BILANCIATA CANALE 2

## 4 USCITA XLR BILANCIATA MIX

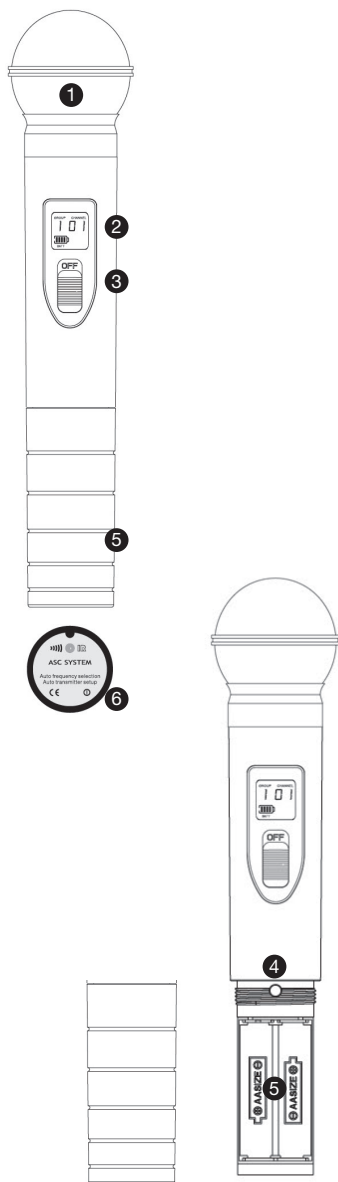
Questa uscita è un mix di entrambi i segnali audio dei ricevitori. Per il volume individuale regolare separatamente il volume sul pannello frontale di ogni ricevitore.

## 5 USCITA JACK DA 6,3 MM NON BILANCIATA MIX

Questa uscita è un mix di entrambi i segnali audio dei ricevitori. Per il volume individuale regolare separatamente il volume sul pannello frontale di ogni ricevitore.

## 6 PRESA DI ALIMENTAZIONE. UTILIZZARE SOLO L'ALIMENTATORE FORNITO

## MICROFONO GELATO:



### 1 TESTA DEL MICROFONO

### 2 LCD RETROILLUMINATO

Mostra il gruppo, il canale e lo stato della batteria con un indicatore a 4 segmenti. Se il simbolo della batteria lampeggia, le batterie vanno sostituite immediatamente.

**NOTA:** La retroilluminazione si spegne automaticamente dopo qualche istante.

### 3 INTERRUTTORE ON/OFF

### 4 CONTROLLO DEL GUADAGNO

Manipolare con cura! Utilizzare solo un cacciavite adeguato!

Girare a sinistra per diminuire il guadagno, a destra per aumentarlo.

### 5 VANO BATTERIE

Per sostituire le batterie, svitare il coperchio in senso antiorario, estrarre le batterie, inserire 2 batterie nuove di tipo AA (nella direzione indicata sul vano) e riavvitare il coperchio sul microfono gelato in senso orario. Assicurarsi che il coperchio sia ben avvitato per garantire un funzionamento corretto.

### 6 PORTA A INFRAROSSI

Situata sulla parte inferiore del microfono gelato. Per sincronizzare la frequenza premere il pulsante ASC del ricevitore (il simbolo ASC sullo schermo lampeggia) e mantenere il trasmettitore (accesso) con la porta a infrarossi puntata direttamente verso la porta a infrarossi del ricevitore a una distanza tra 5 e 20 cm.

## TRASMETTITORE BODYPACK:

ENGLISH

DEUTSCH

FRANCAIS

ESPAÑOL

POLSKI

ITALIANO

### 1 PULSANTE ON/OFF E MUTE

Premere e tenere premuto per 2 secondi per accendere e spegnere il trasmettitore. Premere brevemente per attivare la funzione Mute. Premere di nuovo brevemente per disattivare la funzione Mute.

### 2 LCD RETROILLUMINATO

Mostra il gruppo, il canale e lo stato della batteria con un indicatore a 3 segmenti. Se il simbolo della batteria e il LED ASC verde lampeggiano, le batterie vanno sostituite immediatamente. Nota: La retroilluminazione si spegne automaticamente dopo qualche istante.

### 3 ANTENNA

### 4 LED ASC

Il LED verde si illumina e rimane fisso se l'alimentazione è accesa.  
Il LED verde lampeggia durante la sincronizzazione della frequenza.  
Il LED verde lampeggia quando le batterie sono scariche.

### 5 LED MUTE

Si accende in rosso quando è attiva la funzione mute.

### 6 VANO BATTERIE

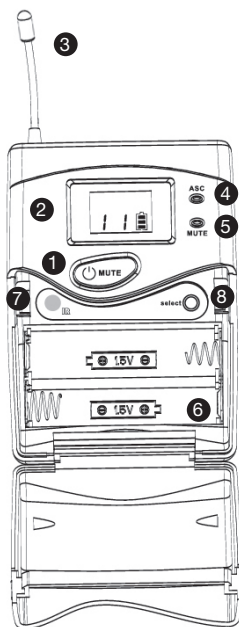
Per sostituire le batterie premere leggermente sui punti indicati sui lati del coperchio e spingerlo in avanti. Estrarre le batterie e inserirne 2 nuove di tipo AA (nella direzione indicata sul coperchio), quindi chiudere il coperchio.

### 7 PORTA A INFRAROSSI

Per sincronizzare la frequenza aprire il coperchio e premere il pulsante ASC del ricevitore (il simbolo ASC sullo schermo lampeggia) e mantenere il trasmettitore (acceso) con la porta a infrarossi puntata direttamente verso la porta a infrarossi del ricevitore a una distanza tra 5 e 20 cm.

### 8 SELECT

Configurazione manuale del gruppo e del canale. Aprire il coperchio, premere e mantenere premuto il pulsante fino a quando appare solo il numero del gruppo. Rilasciare il pulsante. Il numero del gruppo lampeggia. Quindi premere brevemente il pulsante per cambiare il valore di un numero alla volta fino a quando appare il gruppo desiderato. Seguire la stessa procedura per cambiare il numero di canale. Lo schermo tornerà automaticamente al suo stato normale dopo un breve periodo di inattività.





# TRASMETTITORE BODYPACK:

ENGLISH

DEUTSCH

FRANCAIS

ESPAÑOL

POLSKI

ITALIANO

## 9 INPUT

Entrata mini XLR a 3 pin per il microfono o cavo per chitarra forniti.

## 10 INTERRUOTTORE GUADAGNO

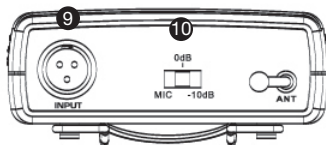
Selezionare l'impostazione adeguata del guadagno.

MIC = microfono

0dB = chitarra con pick-up passivo

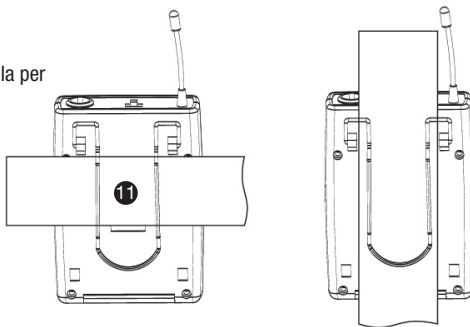
-10dB = chitarra con pick-up attivo

Se il segnale audio satura il ricevitore, portare il guadagno al successivo valore inferiore.

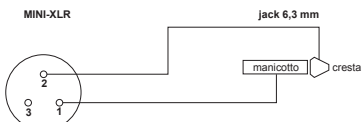


## 11 CLIP PER CINTURA

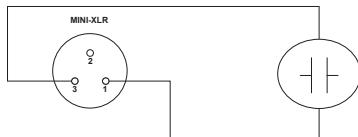
Attaccare il bodypack a una cintura o tracolla per chitarra come indicato sotto.



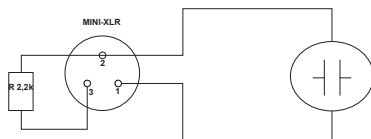
## ASSEGNAZIONE PIN MINI-XLR DEL BODYPACK



Chitarra, basso e altre sorgenti di alta impedenza



Microfono a cuffia, Lavalier o per strumento a fiato



Microfono a cuffia, Lavalier o per strumento a fiato a bassa sensibilità. Una resistenza da 2,2 kOhm saldata tra i pin 2 e 3 aumenta il guadagno.

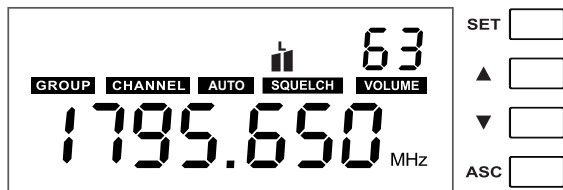
## CONFIGURAZIONE DEL SISTEMA:

### SCHERMO STANDARD

Lo schermo standard indica la frequenza, la configurazione della funzione Silenziatore e il volume pre-selezionati.

### VOLUME

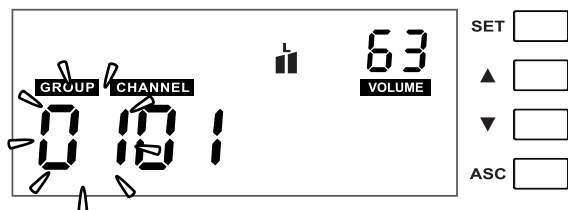
Agire sui pulsanti Su e Giù per impostare il volume desiderato (00 - 63).



### GROUP

Premere e mantenere premuto per 1 secondo il pulsante SET. GROUP e i primi due numeri lampeggiano. Agire sui pulsanti Su e Giù per impostare il gruppo desiderato (01 - 16). Premere nuovamente "SET" per confermare. Lo schermo tornerà automaticamente al suo stato normale dopo un breve periodo di inattività.

**NOTA:** Ogni gruppo da 01 a 16 è costituito da 12 canali, e ciascuno corrisponde a una frequenza specifica.

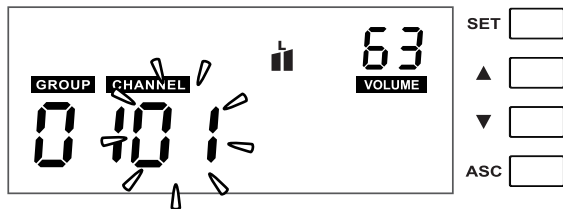


### CHANNEL

Premere il pulsante SET, mantenerlo premuto per 1 secondo, quindi premerlo di nuovo. CHANNEL e 2 numeri sotto lampeggiano. Agire sui pulsanti Su e Giù per impostare il canale desiderato (01 - 12). Premere nuovamente "SET" per confermare.

Lo schermo tornerà automaticamente al suo stato normale dopo un breve periodo di inattività.

Una volta selezionata una frequenza specifica (gruppo e canale), il trasmettitore (gelato o bodypack) deve essere sincronizzato alla stessa frequenza (gruppo e canale) tramite la funzione ASC.



## CONFIGURAZIONE DEL SISTEMA:

ENGLISH

DEUTSCH

FRANCAIS

ESPAÑOL

POLSKI

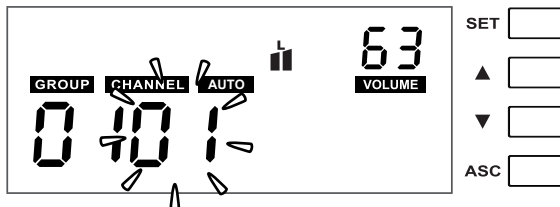
ITALIANO

### FUNZIONE DI SCANNERIZZAZIONE CHANNEL

Premere il pulsante SET, mantenerlo premuto per 1 secondo, quindi premerlo di nuovo due volte. CHANNEL, AUTO e 2 numeri sotto lampeggiano. Premere il pulsante Su o Giù per iniziare la scannerizzazione dei canali. Alla fine della scannerizzazione, sullo schermo appariranno i canali privi di interferenza selezionati automaticamente. Quando si utilizzano sistemi multipli e la selezione della frequenza viene effettuata tramite la funzione di scannerizzazione canali, i sistemi già impostati dovrebbero rimanere accesi per consentire l'esecuzione di ulteriori processi di scannerizzazione. La funzione di scannerizzazione canali fa riferimento alle impostazioni di frequenza predefinite nel gruppo preselezionato (01 - 16).

La precisione del risultato della scannerizzazione dipende dall'ambiente e dal numero di sistemi wireless utilizzati contemporaneamente. Se la funzione di scannerizzazione non dovesse trovare una frequenza già utilizzata in condizioni avverse, riavviare il processo di scannerizzazione fino a quando viene individuata una frequenza libera. Nota: Quando si utilizzano sistemi multipli ogni canale di frequenza deve provenire dal medesimo gruppo (01 - 16).

Importante: Non utilizzare più di un sistema wireless con la stessa frequenza, nello stesso posto e allo stesso tempo. L'interferenza radio potrebbe causare rumori forti indesiderati.



### SILENZIATORE (SQUELCH)

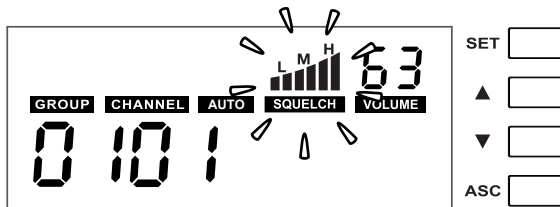
La funzione squelch elimina i rumori fastidiosi quando il trasmettitore è spento. Inoltre silenzia il rumore improvviso che si genera quando la potenza di trasmissione recepita dal ricevitore non è più sufficiente.

Regolare lo squelch (a trasmettitore spento) all'impostazione più bassa possibile per silenziare i rumori indesiderati. L'impostazione consigliata per un uso normale è "L". L'impostazione "H" può determinare una distanza di trasmissione più ridotta in condizioni sfavorevoli.

Premere il pulsante SET, mantenerlo premuto per 1 secondo, quindi premerlo di nuovo 3 volte. SQUELCH e i simboli sopra lampeggiano. Premere i pulsanti Su e Giù per regolare le impostazioni desiderate (L = Basso, M = Medio, H = Alto). Premere nuovamente "SET" per confermare.

Lo schermo tornerà automaticamente al suo stato normale dopo un breve periodo di inattività.

ATTENZIONE: Impostare il volume del sistema PA al minimo prima di regolare la funzione squelch!

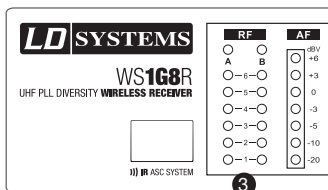
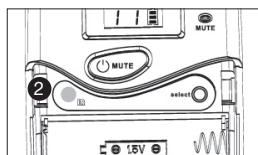
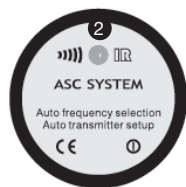
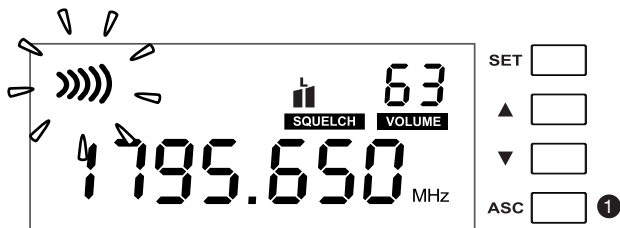


## CONFIGURAZIONE DEL SISTEMA:

### ASC (sincronizzazione della frequenza tramite infrarossi)

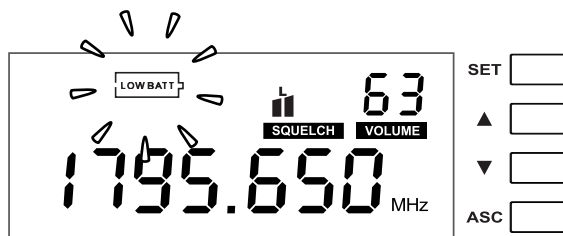
La frequenza di trasmissione di un sistema wireless deve essere la stessa sia nel trasmettitore che nel ricevitore. Una volta selezionata una frequenza specifica (gruppo e canale), il trasmettitore (gelato o bodypack) deve essere sincronizzato alla stessa frequenza (gruppo e canale) tramite la funzione ASC.

Premere il pulsante ASC **1** del ricevitore (il simbolo ASC sullo schermo lampeggia) e mantenere il trasmettitore (acceso) con la porta a infrarossi **2** puntata direttamente verso la porta a infrarossi del ricevitore a una distanza tra 5 e 20 cm. Dopo qualche istante il processo di sincronizzazione si conclude e l'indicatore di livello **3** del segnale RF indicherà presenza di segnale.



### LOW BATT (batterie scariche)

Se nel display del ricevitore il segnale „LOW BATT“ lampeggia, le batterie del trasmettitore devono essere sostituite immediatamente.



## RISOLUZIONE DEI PROBLEMI:

ENGLISH

DEUTSCH

FRANCAIS

ESPAÑOL

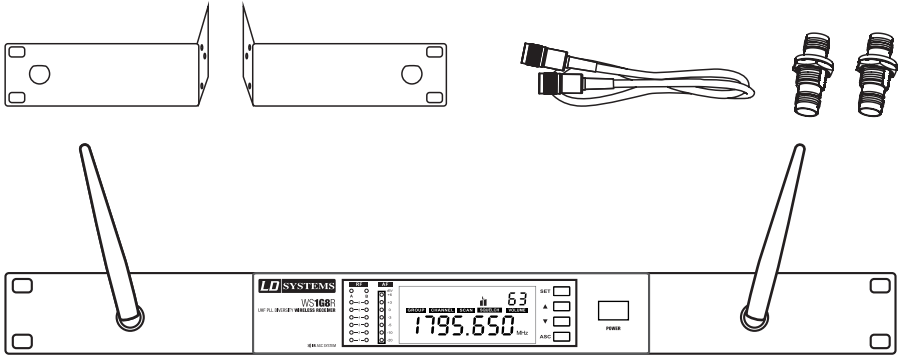
POLSKI

ITALIANO

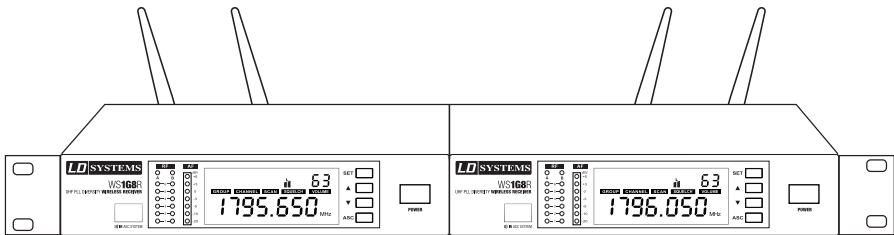
PROBLEMA	SCHERMO	SOLUZIONE
Nessun suono o volume troppo basso.	Trasmettitore: Lo schermo è spento.	Assicurarsi che il trasmettitore sia acceso. Assicurarsi che le batterie siano cariche.
	Ricevitore: Lo schermo è spento.	Controllare l'alimentazione. Accendere l'alimentazione.
	Ricevitore: L'indicatore RF è spento. Trasmettitore: L'alimentazione è accesa.	Verificare che il trasmettitore e il ricevitore siano impostati sulla stessa frequenza.  Ridurre la distanza tra il trasmettitore e il ricevitore. Controllare che il trasmettitore e il ricevitore siano in linea visiva diretta.  Assicurarsi che le antenne del ricevitore siano collegate e puntate verso l'alto a forma di V.
	Ricevitore: L'indicatore RF è acceso. Trasmettitore bodypack: Il display è acceso, il LED del Mute si illumina.	Disattivare la funzione mute.
	Ricevitore: L'indicatore RF è acceso.	Aumentare il volume del ricevitore. Aumentare il guadagno del trasmettitore. Controllare la connessione audio del ricevitore e del mixer. Controllare la configurazione del mixer.
Distorsione o rumore indesiderato.	Ricevitore: L'indicatore RF è acceso.	Eliminare possibili cause di interferenza (dispositivi con controllo digitale, altri sistemi wireless nello stesso posto). Impostare il sistema wireless con una frequenza di trasmissione diversa.
Suono distorto.	Trasmettitore: Il simbolo della batteria lampeggia. Ricevitore: Il livello AF nell'indicatore è troppo elevato.	Sostituire le batterie  Ridurre il guadagno del trasmettitore.

## INSTALLAZIONE IN RACK:

**IL KIT DI MONTAGGIO IN RACK LDWS100RK (OPTIONAL) PER 1 RICEVITORE LDWS1G8 INCLUDE:  
2 SUPPORTI PER RACK, 2 CAVI TNC, 2 ADATTATORI TNC E UN SET DI VITI**



**IL KIT DI MONTAGGIO IN RACK LDWS100RK2 (OPTIONAL) PER 2 RICEVITORI LDWS1G8 INCLUDE:  
1 ADATTATORE PER RACK DA 19", UN SET DI VITI**



**SPECIFICHE:**

ENGLISH

DEUTSCH

FRANÇAIS

ESPAÑOL

POLSKI

ITALIANO

<b>RICEVITORE</b>		
Denominazione del modello:	LDWS1G8R	LDWS1G8R2
Tipo di ricevitore:	true diversity	
Modulazione:	FM	
Gamma di frequenze:	1785 - 1800 MHz	
Canali:	192 (16 x 12)	
Gruppi:	16	
Connettori per l'antenna:	2 TNC	
Risposta in frequenza:	50 - 16.000 Hz	
Silenziatore (squelch):	Basso, Medio, Alto	
Ottimizzazione della trasmissione:	Tono spia	
THD:	<0,8%	
Rapporto segnale/rumore:	> 90 dB	
Uscita bilanciata:	XLR	2 XLR
Uscita bilanciata mix:		XLR
Uscita non bilanciata:	jack 6,3 mm	
Uscita non bilanciata mix:		jack 6,3 mm
Uscita cuffie:		jack stereo da 6,3 mm
Livello audio in uscita (bilanciato):	+6 dBu	
Livello audio in uscita (non bilanciato):	0 dBu	
Comandi:	accensione/spegnimento, set, su, giù, ASC	accensione/spegnimento, 2 set, 2 su, 2 giù, 2 ASC, volume cuffie
Indicatori:	schermo LC multi-funzione, livello antenna HF A/B, livello audio	2 schermi LC multi-funzione, 2 livelli antenna HF A/B, 2 livelli audio
Tensione elettrica:	12 - 18 V DC, 500 mA	12 - 18 V DC, 1000 mA
Intervallo temperatura di funzionamento:	-10 °C ... 45 °C	
Umidità relativa durante il funzionamento:	25% ... 85%	
Dimensioni (L x H x P):	212 x 45 x 163 mm	483 x 45 x 163
Peso:	0,92 kg	2,24 kg
Accessori inclusi:	alimentatore, 2 antenne, cavo audio	alimentatore, 2 antenne, cavo audio, kit montaggio in rack
Caratteristiche:	funzione scannerizzazione canale, sincronizzazione frequenza a infrarossi	

## SPECIFICHE:

<b>MICROFONO GELATO</b>		
Denominazione del modello:	LDWS1G8MD	LDWS1G8MC
Modulazione:	FM	
Gamma di frequenze:	1785 - 1800 MHz	
Canali:	192 (16 x 12)	
Gruppi:	16	
Tipo di microfono:	dinamico	a condensatore
Diagramma polare:	cardioide	cardioide
Risposta in frequenza:	50 - 16.000 Hz	
THD:	<0,8%	
Rapporto segnale/rumore:	> 90 dB	
Potenza RF in uscita:	10 mW	
Comandi:	Accensione / Spegnimento	
Indicatori:	Schermo LCD multi-funzione	
Alimentazione:	2 batterie di tipo AA	
Autonomia:	fino a 13 ore (a seconda delle batterie)	
Intervallo temperatura di funzionamento:	-10 °C ... 45 °C	
Umidità relativa di funzionamento:	25% ... 85%	
Dimensioni (L x Ø):	245 x 51 mm	
Peso:	0,34 kg	
Accessori inclusi:	2 batterie di tipo AA	
Caratteristiche:	sincronizzazione della frequenza a infrarossi	



## SPECIFICHE:

ENGLISH

DEUTSCH

FRANCAIS

ESPAÑOL

POLSKI

ITALIANO

TRASMETTITORE BODYPACK	
Denominazione del modello:	LDWS1G8BP
Modulazione:	FM
Gamma di frequenze:	1785 - 1800 MHz
Canali:	192
Gruppi:	16
Ingresso:	Mini XLR a 3 pin
Risposta in frequenza:	50 - 16.000 Hz
THD:	<0,8%
Rapporto segnale/rumore:	> 90 dB
Potenza RF in uscita:	10 mW
Comandi:	Pulsante di accensione / Mute, selezione, guadagno triplo
Indicatori:	schermo LCD multi-funzione, LED ASC, LED Mute
Alimentazione:	2 batterie AA
Autonomia:	fino a 13 ore (a seconda delle batterie)
Intervallo temperatura di funzionamento:	-10 °C ... 45 °C
Umidità relativa di funzionamento:	25% ... 85%
Dimensioni (L x H x P):	65 x 90 x 24 mm
Peso (senza batterie):	0,09 kg
Accessori inclusi:	2 batterie di tipo AA
Caratteristiche:	sincronizzazione della frequenza a infrarossi

## SPECIFICHE:

### MICROFONO

Denominazione del modello:	LDWS100MH1	LDWS100MH3
Tipo di microfono:	headset	headset
Capsula:	condensatore back-electret	condensatore back-electret
Diagramma polare:	cardioide	cardioide
Risposta in frequenza:	20 - 20.000 Hz	70 - 16.000 Hz
Connettore:	Mini XLR a 3 pin	Mini XLR a 3 pin
Accessori inclusi:	spugna antivento	spugna antivento
Caratteristiche:		

LDHSAE1	LDWS100ML	LDWS1000MW
headset	microfono Lavalier	microfono per strumenti a fiato
condensatore back-electret	condensatore back-electret	condensatore back-electret
bidirezionale	cardioide	cardioide
80 - 16.000 Hz	20 - 20.000 Hz	50 - 18.000 Hz
Mini XLR a 3 pin	Mini XLR a 3 pin	Mini XLR a 3 pin
spugna antivento	spugna antivento	spugna antivento
idrorepellente		

### CAVO PER CHITARRA

Denominazione del modello:	LDWS100GC
Connettore 1:	Mini XLR a 3 pin
Connettore 2:	jack 6,3 mm
Lunghezza:	1,5 m

## DICHIARAZIONI DEL PRODUTTORE:

### GARANZIA DEL PRODUTTORE

Le seguenti condizioni di garanzia si applicano ai prodotti dei marchi Adam Hall, LD Systems, Defender, Palmer, Cameo e Eminence.

La presente dichiarazione di garanzia non influisce sui diritti di garanzia del produttore previsti dalla legge, ma estende ulteriormente tali diritti anche nei confronti della ditta Adam Hall.

Adam Hall garantisce per un periodo di due o tre anni dalla data di acquisto che questo prodotto Adam Hall acquistato direttamente dall'azienda o attraverso un rivenditore autorizzato, se utilizzato correttamente, è privo di difetti di materiale e manodopera.

Il periodo di garanzia ha inizio dalla data di acquisto del prodotto che, nel caso in cui si voglia usufruire della garanzia, va adeguatamente documentata tramite la presentazione dello scontrino o della bolla di consegna con la data di acquisto. Qualora, entro il periodo di garanzia, i prodotti di una delle marche sovraindicate necessitino di interventi di riparazione, l'utente ha diritto ad usufruire del servizio alle condizioni indicate nel presente documento.

Questa garanzia del produttore è valida esclusivamente per il primo proprietario del prodotto Adam Hall e non si può trasferire ad un eventuale proprietario successivo. Entro il periodo di garanzia, Adam Hall si fa carico della riparazione o della sostituzione dei componenti o degli apparecchi difettosi. Tutti i componenti o i prodotti sostituiti usufruendo della garanzia del produttore diventano di proprietà di Adam Hall.

Nel caso improbabile che il prodotto acquistato presenti ripetuti malfunzionamenti, la ditta Adam Hall è autorizzata a sostituire a propria discrezione il prodotto difettoso con un altro, a patto che il nuovo prodotto sia di uguale valore rispetto a quello vecchio per quanto riguarda le caratteristiche hardware.

Adam Hall non garantisce che il prodotto sia perfettamente funzionante e/o senza difetti. Inoltre, Adam Hall non risponde di danni derivanti dall'inosservanza delle indicazioni riportate nelle istruzioni d'uso fornite con il presente prodotto e in altra documentazione.

La garanzia del produttore non copre:

- parti soggette ad usura (es. accumulatori),
- apparecchi dai quali è stato rimosso il numero di serie o il cui numero di serie risulta illeggibile a causa di danneggiamenti causati dall'utente,
- danni derivanti da uso errato o improprio o altre cause esterne,
- danni ad apparecchi che non sono stati utilizzati secondo i parametri di funzionamento (parametri indicati nella documentazione contenuta nella confezione),
- danni derivanti dall'utilizzo di componenti non prodotti o distribuiti da Adam Hall,
- danni derivanti da interventi, modifiche o riparazioni non effettuate da Adam Hall.

Le presenti condizioni costituiscono l'accordo di garanzia completo ed esclusivo tra l'acquirente e la Adam Hall per il prodotto Adam Hall acquistato.

ENGLISH

DEUTSCH

FRANCAIS

ESPAÑOL

POLSKI

ITALIANO

## DICHIARAZIONI DEL PRODUTTORE:

### LIMITAZIONI DI RESPONSABILITÀ

Nel caso in cui, durante il periodo di garanzia, i prodotti hardware Adam Hall presentino difetti di materiale o di lavorazione (in base alla dichiarazione di garanzia precedente), il solo ed unico diritto del cliente previsto dalla presente garanzia è quello di riparazione o sostituzione dell'apparecchio. La massima responsabilità di Adam Hall è limitata, come espressamente indicato nella garanzia, al prezzo d'acquisto o ai costi per la riparazione o la sostituzione (e in questo caso per l'importo minore) dei componenti hardware difettosi in caso di uso corretto degli stessi.

Adam Hall non è responsabile per eventuali danni provocati dal prodotto o dal malfunzionamento dello stesso, compresi mancati guadagni, perdite e danni speciali indiretti o conseguenti. Inoltre Adam Hall è indenne da richieste avanzate da terzi o dal cliente in nome di terzi.

La presente limitazione di responsabilità vale indipendentemente dal fatto che i danni siano oggetto di procedimenti giudiziari o che siano oggetto di risarcimento danni ai sensi della presente garanzia o per atti illeciti (includendo negligenza e responsabilità oggettiva) o per pretese contrattuali o di altra natura, e non può essere né annullata né modificata. La presente limitazione di responsabilità è valida anche nel caso in cui l'utente abbia avvisato Adam Hall o un rappresentante autorizzato di possibili danni. Tale limitazione non è però valida in caso di richieste per risarcimento danni in relazione a danni a persone.

La garanzia del produttore permette di godere di determinati diritti. A seconda della giurisdizione competente (dello stato o della regione in cui si risiede) è possibile ottenere ulteriori diritti. Si consiglia quindi di consultare le leggi applicabili per determinare l'insieme dei diritti di cui si può godere.

### RICORSO ALLA GARANZIA

Per usufruire della garanzia rivolgersi direttamente a Adam Hall o al rivenditore autorizzato Adam Hall, dal quale è stato acquistato il prodotto.

### CE DICHIARAZIONE DI CONFORMITÀ

Questi dispositivi soddisfano i requisiti essenziali e le altre disposizioni pertinenti delle direttive 1999/5/EC (R & TTE), 2004/108/EC (EMC) e 2006/95/EC (LVD). Per ulteriori informazioni, vedere [www.adamhall.com](http://www.adamhall.com).

### CORRETTO SMALTIMENTO DEL PRODOTTO ("RIFIUTI ELETTRONICI")

(Valido nei paesi dell'Unione europea e in altri paesi con sistema di smaltimento differenziato dei rifiuti)



Questo simbolo sul prodotto o sui documenti relativi ad esso sta ad indicare che l'apparecchio alla fine del suo ciclo di vita non deve essere smaltito insieme ai normali rifiuti domestici, in modo tale da evitare eventuali danni ambientali e alle persone causati da uno smaltimento incontrollato dei rifiuti. Si prega di smaltire questo prodotto separatamente da altri rifiuti e promuovere così lo sviluppo di cicli economici sostenibili con il riciclaggio.

I privati cittadini possono ricevere informazioni sulle possibilità di smaltimento sostenibile presso il venditore dal quale è stato acquistato il prodotto o presso le autorità regionali competenti. I professionisti devono invece contattare il loro fornitore di fiducia e controllare le eventuali condizioni contrattuali per lo smaltimento degli apparecchi. Questo prodotto non deve essere smaltito assieme ad altri rifiuti industriali.

## DICHIARAZIONE RAEE

Il prodotto LD Systems acquistato è stato realizzato tramite l'utilizzo di materiali e componenti di qualità che possono essere riciclati o riutilizzati. Questo simbolo indica che gli apparecchi elettronici non vanno smaltiti assieme ai normali rifiuti domestici indifferenziati. Si prega di smaltire questo apparecchio a norma di legge presso un punto di raccolta per rifiuti elettronici contribuendo così alla salvaguardia dell'ambiente.

## BATTERIE E PILE

Le batterie incluse nella confezione possono essere riutilizzate. Non gettare quindi le batterie nei normali rifiuti domestici, ma in contenitori appositi per la loro raccolta. Aiutate a mantenere pulito l'ambiente.

## ECOLOGIA E RISPARMIO ENERGETICO:

Il risparmio dell'energia elettrica aiuta a proteggere l'ambiente. Spegnerne tutti i dispositivi elettrici quando non vengono utilizzati. Per evitare il consumo di energia, scollegare tutti i dispositivi elettrici dalla corrente quando non vengono utilizzati.

Adam Hall GmbH, tutti i diritti riservati. I dati tecnici e le caratteristiche del prodotto possono essere soggetti a modifiche. È vietata la copia, la traduzione e qualsiasi altra riproduzione delle presenti istruzioni d'uso o di parte di esse senza previa autorizzazione.



ENGLISH

DEUTSCH

FRANCAIS

ESPAÑOL

POLSKI

ITALIANO

ENGLISH

DEUTSCH

FRANCAIS

ESPAÑOL

POLSKI

ITALIANO



[WWW.LD-SYSTEMS.COM](http://WWW.LD-SYSTEMS.COM)

**Adam Hall GmbH** | Daimlerstrasse 9 | 61267 Neu-Anspach | Germany  
Tel. +49(0)6081/9419-0 | Fax +49(0)6081/9419-1000  
web : [www.adamhall.com](http://www.adamhall.com) | e-mail : [mail@adamhall.com](mailto:mail@adamhall.com)

