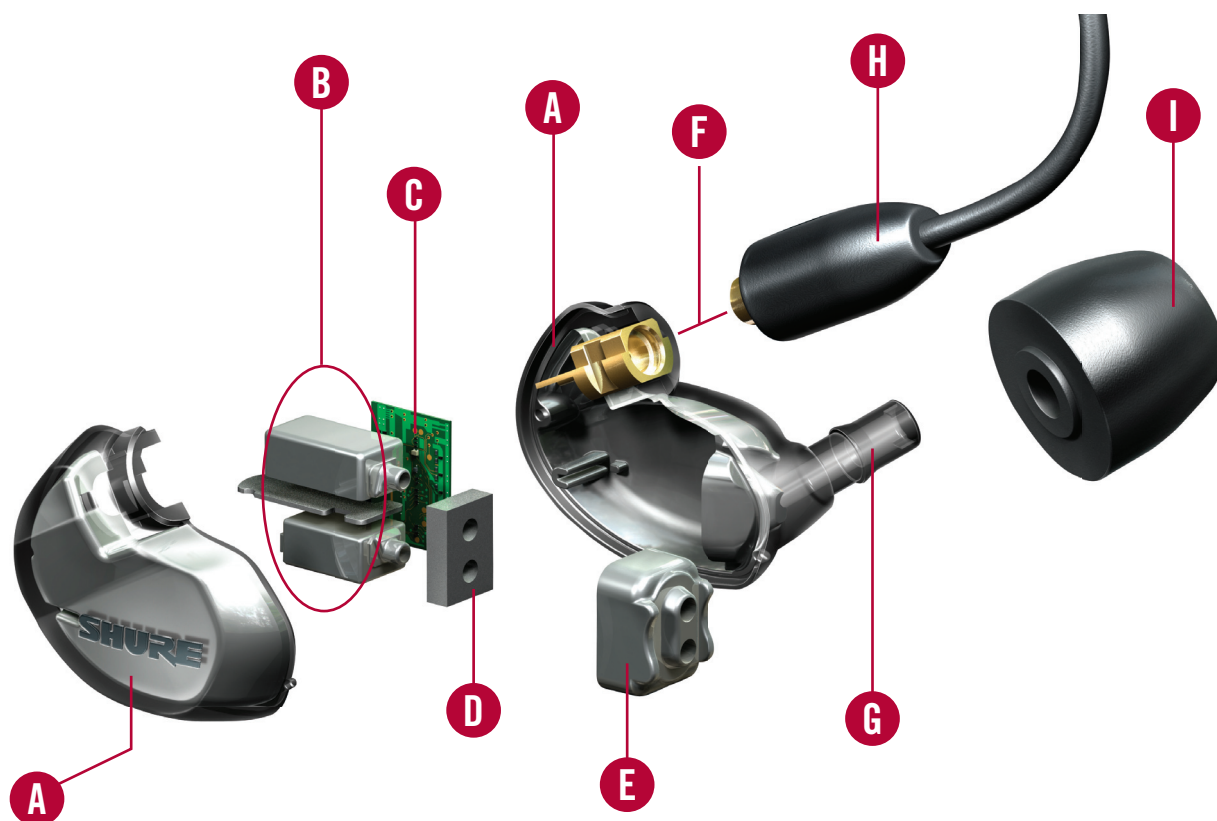


SHURE®

LEGENDARY
PERFORMANCE™

SOUND ISOLATING™ EARPHONES

SE425 Internal Component View



SE425 COMPONENTS

- A Rugged Ergonomic Housing**
Ergonomic and stylish design features durable, sweat-resistant construction; built to withstand the extremes of on-stage or everyday wear.
- B Dual High-Definition MicroDrivers**
Dedicated single woofer and tweeter per channel for accurate and balanced sound.
- C Internal Crossover**
Routes higher frequencies to a dedicated tweeter and lower frequencies to a dedicated woofer, providing clarity across the audio spectrum.
- D Acoustic Seal**
Efficiently directs audio signal to nozzle.
- E Shock Isolator**
Shock protector that guards the driver against sudden impact.
- F MMCX Micro-Miniature Coaxial Connector**
Gold-plated connector has a lock-snap mechanism allowing 360 degree rotation for comfortable fit.
- G Nozzle**
Specially angled tube ensures efficient audio delivery and ergonomic fit.
- H Detachable Cable**
Wire-form fit ensures secure placement, detachability for easy replacement or customization, and Kevlar™ reinforced for durability. Worn over the ear.
- I Sound Isolating™ Sleeve**
Selection of foam and flex sleeves create a customized fit and comfortable seal that blocks background noise.